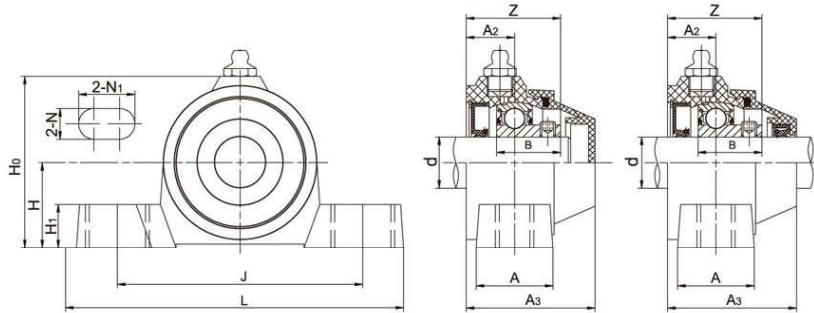


LDK[®] Water-Proof Thermoplastic Housed Units

WP-SSBP Water-Proof thermoplastic housed units, Pillow blocks



Unit No.	Shaft Dia		Dimensions(mm)											Bolt size (mm)	Housing Weight (kg)	
	d		L	J	H	H ₀	H ₁	N	N ₁	A	A ₁	B	Z			A ₃
	(in)	(mm)														
WP-SSBP204 204-12	3/4	20	128	96	33.3	67	17	12	22	30	18.9	25	37.2	49.7	M10	0.26
WP-SSBP205 205-14 205-15 205-16	7/8 15/16 1	25	140	106	36.5	75	17	12	22	34.5	18.8	27	38.3	51.5	M10	0.33
WP-SSBP206 206-17 206-18 206-19 206-20	1-1/16 1-1/8 1-3/16 1-1/4	30	163	121	42.9	88	22	14	24	36	19.7	30	40.7	55	M12	0.49
WP-SSBP207 207-20 207-21 207-22 207-23	1-1/4 1-5/16 1-3/8 1-7/16	35	167	126	47.6	98	20	14	24	38.6	21.3	32	44.6	61	M12	0.64
WP-SSBP208 208-24 208-25	1-1/2 1-9/16	40	185	136	50	102	20	14	24	38.6	25	34	50.3	66.5	M12	0.86

MODE OF LOAD	BREAKING POINT OF HOUSINGS(N)				
	204	205	206	207	208
	6473	6290	5775	5817	6913
	6671	6681	6761	6811	6911
	2569	2621	2650	2790	3291

Notes: Anti-Bacteria Protection Series is available by adding prefix "AB" as designation. Ordering example: ABWP-SSBP204.