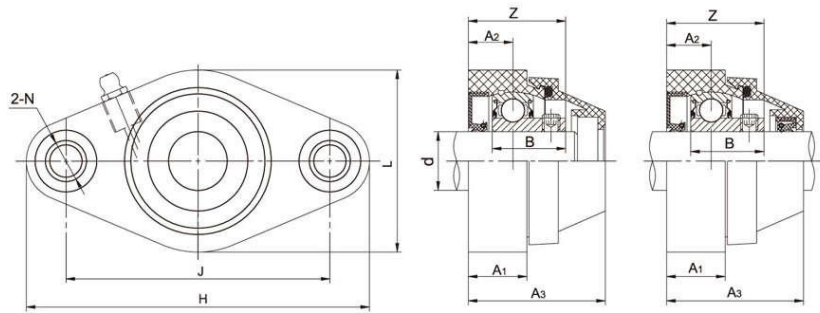


Water-Proof Thermoplastic Housed Units **LDK**[®]

WP-SSBFL Water-Proof thermoplastic housed units, 2-bolt flange



Unit No.	Shaft Dia		Dimensions(mm)									Bolt Size (mm)	Housing Weight (kg)
	d (in)	d (mm)	H	J	A ₂	A ₁	N	L	B	Z	A ₃		
WP-SSBFL204 204-12	3/4	20	117	90	15.2	20	11	62	25	33.5	46	M10	0.09
WP-SSBFL205 205-14 205-15 205-16	7/8 15/16 1	25	131	99	16.8	22.5	11	71	27	36.3	49.5	M10	0.14
WP-SSBFL206 206-17 206-18 206-19 206-20	1-1/16 1-1/8 1-3/16 1-1/4	30	149	118	20	26	11	85	30	42	55	M10	0.21
WP-SSBFL207 207-20 207-21 207-22 207-23	1-1/4 1-5/16 1-3/8 1-7/16	35	163	130	19.5	26	11	93	32	43	59	M10	0.21
WP-SSBFL208 208-24 208-25	1-1/2 1-9/16	40	177	144	23	30	11	102	34	48	65.5	M10	0.24

MODE OF LOAD	BREAKING POINT OF HOUSINGS(N)				
	204	205	206	207	208
	8756	8943	10132	10234	14000
	8733	15811	15823	16211	16233
	2384	3876	4001	4501	5079

Notes: Anti-Bacteria Protection Series is available by adding prefix "AB" as designation. Ordering example: ABWP-SSBFL204.