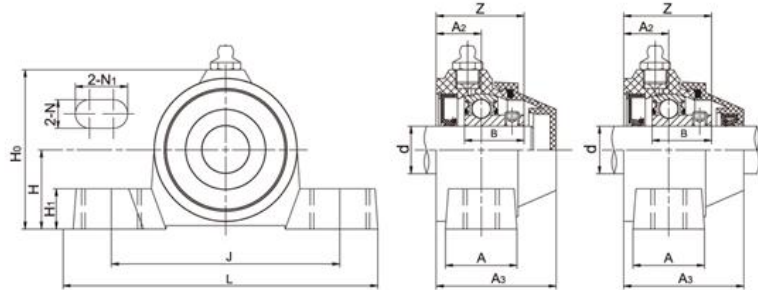


LDK[®] Water-Proof Thermoplastic Housed Units

WP-SSBP Water-Proof thermoplastic housed units, Pillow blocks



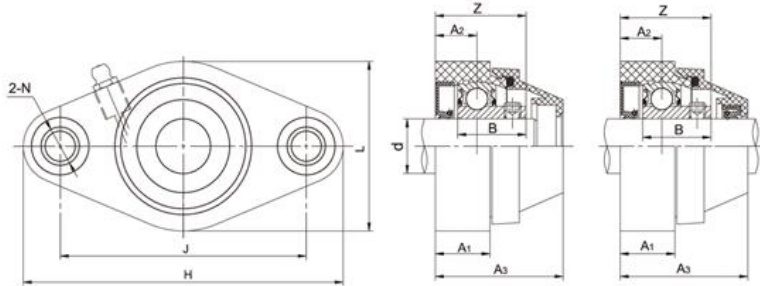
Unit No.	Shaft Dia		Dimensions(mm)											Bolt size (mm)	Housing Weight (kg)	
	d		L	J	H	H ₀	H ₁	N	N ₁	A	A ₁	B	Z			A ₃
	(in)	(mm)														
WP-SSBP204 204-12	3/4	20	128	96	33.3	67	17	12	22	30	18.9	25	37.2	49.7	M10	0.26
WP-SSBP205 205-14 205-15 205-16	7/8 15/16 1	25	140	106	36.5	75	17	12	22	34.5	18.8	27	38.3	51.5	M10	0.33
WP-SSBP206 206-17 206-18 206-19 206-20	1-1/16 1-1/8 1-3/16 1-1/4	30	163	121	42.9	88	22	14	24	36	19.7	30	40.7	55	M12	0.49
WP-SSBP207 207-20 207-21 207-22 207-23	1-1/4 1-5/16 1-3/8 1-7/16	35	167	126	47.6	98	20	14	24	38.6	21.3	32	44.6	61	M12	0.64
WP-SSBP208 208-24 208-25	1-1/2 1-9/16	40	185	136	50	102	20	14	24	38.6	25	34	50.3	66.5	M12	0.86

MODE OF LOAD	BREAKING POINT OF HOUSINGS(N)				
	204	205	206	207	208
	6473	6290	5775	5817	6913
	6671	6681	6761	6811	6911
	2569	2621	2650	2790	3291

Notes: Anti-Bacteria Protection Series is available by adding prefix "AB" as designation. Ordering example: ABWP-SSBP204.

Water-Proof Thermoplastic Housed Units **LDK**[®]

WP-SSBFL Water-Proof thermoplastic housed units, 2-bolt flange



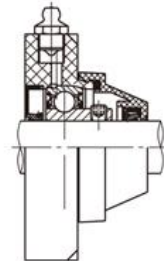
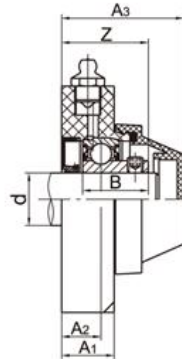
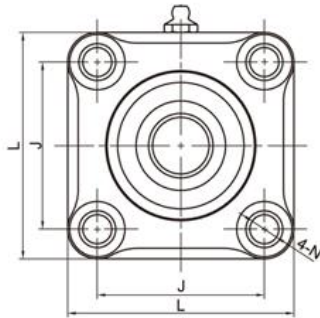
Unit No.	Shaft Dia		Dimensions(mm)									Bolt Size (mm)	Housing Weight (kg)
	d		H	J	A ₂	A ₁	N	L	B	Z	A ₃		
	(in)	(mm)											
WP-SSBFL204 204-12	3/4	20	117	90	15.2	20	11	62	25	33.5	46	M10	0.09
WP-SSBFL205 205-14 205-15 205-16	7/8 15/16 1	25	131	99	16.8	22.5	11	71	27	36.3	49.5	M10	0.14
WP-SSBFL206 206-17 206-18 206-19 206-20	1-1/16 1-1/8 1-3/16 1-1/4	30	149	118	20	26	11	85	30	42	55	M10	0.21
WP-SSBFL207 207-20 207-21 207-22 207-23	1-1/4 1-5/16 1-3/8 1-7/16	35	163	130	19.5	26	11	93	32	43	59	M10	0.21
WP-SSBFL208 208-24 208-25	1-1/2 1-9/16	40	177	144	23	30	11	102	34	48	65.5	M10	0.24

MODE OF LOAD	BREAKING POINT OF HOUSINGS(N)				
	204	205	206	207	208
	8756	8943	10132	10234	14000
	8733	15811	15823	16211	16233
	2384	3876	4001	4501	5079

Notes: Anti-Bacteria Protection Series is available by adding prefix "AB" as designation. Ordering example: ABWP-SSBFL204.

LDK[®] Water-Proof Thermoplastic Housed Units

WP-SSBF Water-Proof thermoplastic housed units, 4-bolt flange



Unit No.	Shaft Dia		Dimensions(mm)								Bolt Size (mm)	Housing Weight (kg)
	d		L	J	A ₂	A ₁	N	B	Z	A ₃		
	(in)	(mm)										
WP-SSBF204 204-12	3/4	20	86	63.5	15	22.5	11	25	36.3	49.5	M10	0.36
WP-SSBF205 205-14 205-15 205-16	7/8 15/16 1	25	98	70	16.8	22.5	11	27	36.3	49.5	M10	0.38
WP-SSBF206 206-17 206-18 206-19 206-20	1-1/16 1-1/8 1-3/16 1-1/4	30	110	83	20	26	11	30	41	55	M10	0.56
WP-SSBF207 207-20 207-21 207-22 207-23	1-1/4 1-5/16 1-3/8 1-7/16	35	120	92	19.5	26	11	32	45	59	M10	0.77
WP-SSBF208 208-24 208-25	1-1/2 1-9/16	40	131	102	22	30	11	34	47.5	65.5	M10	0.99

MODE OF LOAD	BREAKING POINT OF HOUSINGS(N)				
	204	205	206	207	208
	17091	20142	20932	21690	22707
	8820	10350	16020	16560	16740
	2533	3329	3922	4100	4230

Notes: Anti-Bacteria Protection Series is available by adding prefix "AB" as designation. Ordering example: ABWP-SSBF204.

Water-Proof Thermoplastic Housed Units **LDK**[®]

Accessories: End-Covers, Back seal



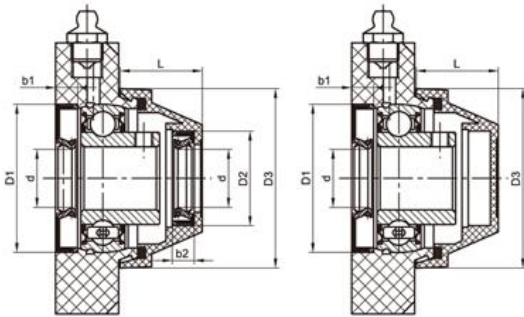
WP-BS



WP-CC

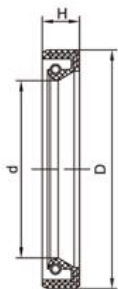


WP-OC



Water-Proof Plastic Covers: Open/Close Type (OC / CC)

Shaft diameter		Dimensions(mm)					
D		D ₁	b ₁	D ₂	b ₂	D ₃	L
mm	inch						
20	3/4	47	7	30	7	56.7	26
25	13/16 14/16 15/16 1	52	7	35	7	67.7	28
30	1-1/16 1-1/8 1-3/16 1-1/4	62	7	40	7	78.7	29
35	1-1/4 1-5/16 1-3/8 1-7/16	72	7	45	7	88.7	33
40	1-1/2 1-9/16	80	7	50	7	96.7	35



BACK SEAL

SIZE	DIM Dimensions(mm)		
	D	d	H
WP-P204	20	47	7
WP-P205	25	52	7
WP-P206	30	62	7
WP-P207	35	72	7
WP-P208	40	80	7

Notes: Anti-Bacteria Protection Series is available by adding prefix "AB" as designation. Ordering example: ABWP-OC205