

Water-Proof Thermoplastic Housed Units **LDK**[®]

Accessories: End-Covers, Back seal



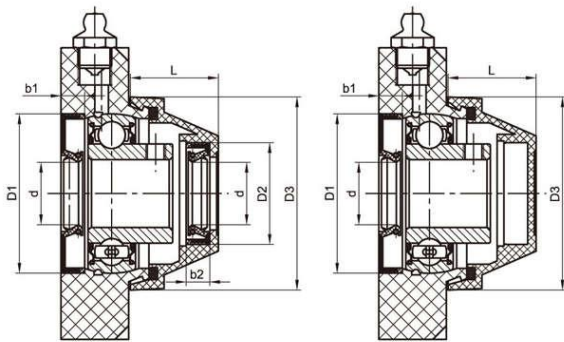
WP-BS



WP-CC

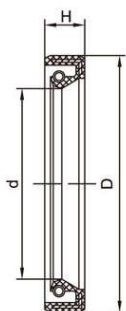


WP-OC



Water-Proof Plastic Covers: Open/Close Type (OC / CC)

Shaft diameter		Dimensions(mm)					
D		D ₁	b ₁	D ₂	b ₂	D ₃	L
mm	inch						
20	3/4	47	7	30	7	56.7	26
25	13/16 14/16 15/16 1	52	7	35	7	67.7	28
30	1-1/16 1-1/8 1-3/16 1-1/4	62	7	40	7	78.7	29
35	1-1/4 1-5/16 1-3/8 1-7/16	72	7	45	7	88.7	33
40	1-1/2 1-9/16	80	7	50	7	96.7	35



BACK SEAL

SIZE	DIM		
	D	d	H
WP-P204	20	47	7
WP-P205	25	52	7
WP-P206	30	62	7
WP-P207	35	72	7
WP-P208	40	80	7

Notes: Anti-Bacteria Protection Series is available by adding prefix "AB" as designation. Ordering example: ABWP-OC205