

LDK[®] Thermoplastic Housed Units

General Information

LDK[®] Thermoplastic housings are specially designed to meet particular engineering demand for food, beverage, photo, and the chemical industries. The maintenance and the corrosion resistance characteristics as well as a low weight element has proven to stand the hard working conditions for all needed applications.

LDK[®] Thermoplastic housing can be delivered with Chrome steel bearing inserts black oxidized inserts or stainless steel inserts for maximum corrosion resistance.

LDK[®] Thermoplastic housing are designed to meet important engineering demand for:

- Frequent washdowns
- Corrosion resistance
- Exposure to harsh chemicals
- Exposure to high humidity
- Regreasable fittings
- Operating temperature -35°C to 102°C



LDK[®] thermoplastic housings can be delivered with food approved grease to any specification. Please contact your local distributor for your grease specification requirement.

Because of their corrosion-resistant and **non-magnetic** properties.

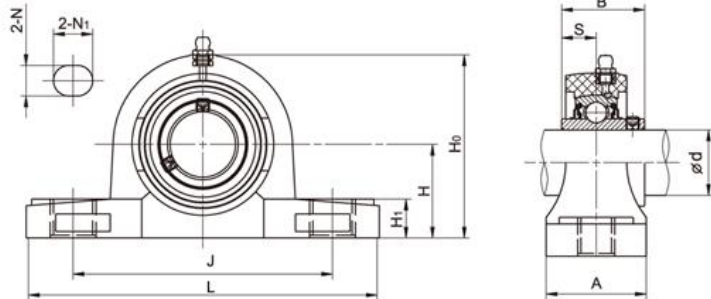
LDK[®] thermoplastic housings are used in a wide variety of industries:

- Food processing
- Canning
- Bottling
- Pharmacy industry
- Chemical processing
- Photo industry



Thermoplastic Housed Units **LDK**[®]

TP-SUCP Thermoplastic pillow blocks, Solid base housing, Stainless steel inserts, With food grade grease and silicon rubber seal, Setscrew locking.



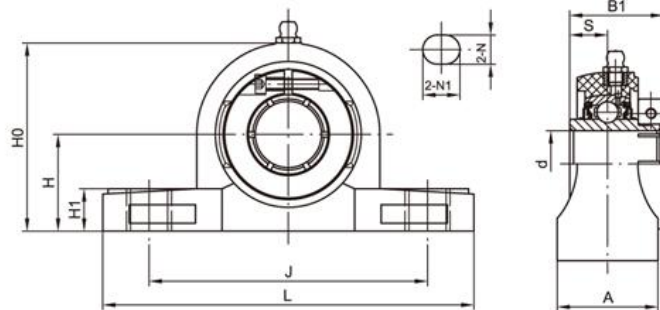
Unit No.	Shaft Dia		Dimensions(mm)										Bolt Size (mm)	Weight (kg)
	d		H	L	J	A	N	N ₁	H ₁	H ₀	B	S		
	(in)	(mm)												
TP-SUCP201 201-8	1/2	12	33.3	127	95	38	11	14	15	65.5	31	12.7	M10	0.29
TP-SUCP202 202-9 202-10	9/16 5/8	15	33.3	127	95	38	11	14	15	65.5	31	12.7	M10	0.29
TP-SUCP203 203-11	11/16	17	33.3	127	95	38	11	14	15	65.5	31	12.7	M10	0.29
TP-SUCP204 204-12	3/4	20	33.3	127	95	38	11	14	15	65.5	31	12.7	M10	0.29
TP-SUCP205 205-14 205-15 205-16	7/8 15/16 1	25	36.5	140	105	38	11	14	16	71	34.1	14.3	M10	0.32
TP-SUCP206 206-17 206-18 206-19 206-20	1-1/16 1-1/8 1-3/16 1-1/4	30	42.9	163	119	46	14	18	18	84	38.1	15.9	M12	0.58
TP-SUCP207 207-20 207-21 207-22 207-23	1-1/4 1-5/16 1-3/8 1-7/16	35	47.6	168	127	48	14	18	18	94.5	42.9	17.5	M12	0.76
TP-SUCP208 208-24 208-25	1-1/2 1-9/16	40	49.2	184	137	54	14	18	19.5	99	49.2	19	M12	0.97
TP-SUCP209 209-26 209-27 209-28	1-5/8 1-11/16 1-3/4	45	54	192	146	54	17	20	23	106	49.2	19	M16	1.08
TP-SUCP210 210-30 210-31 210-32	1-7/8 1-15/16 2	50	57.2	206	159	60	17	20	24	114	51.6	19	M16	1.24
TP-SUCP211 211-32 211-34 211-35	2 2-1/8 2-3/16	55	63.5	217	172	60	17	20	22	124	55.6	22.2	M16	1.6
TP-SUCP212 212-36 212-38 212-39	2-1/4 2-3/8 2-7/16	60	69.9	238	186	66	18	24	24	137	65.1	25.4	M16	2.4

MODE OF LOAD	BREAKING POINT OF HOUSINGS(N)								
	204	205	206	207	208	209	210	211	212
	8800	13700	12650	12750	13100	13360	13850	14450	20130
	7700	10000	10600	12750	11100	11400	11750	12450	13110
	5000	5100	5750	7500	8500	8950	9550	10150	10700

Notes: Anti-Bacteria Protection Series is available by adding prefix "AB" as designation. Ordering example: ABTP-SUCP204

LDK[®] Thermoplastic Housed Units

TP-SUEP Thermoplastic pillow blocks, Solid base housing, Stainless steel inserts,
With food grade grease and silicon rubber seal, Concentric locking



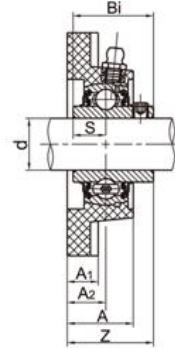
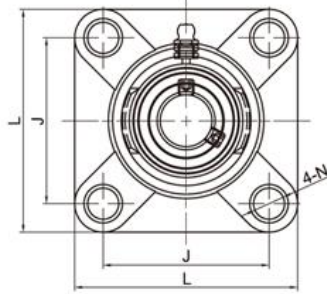
Unit No.	Shaft Dia		Dimensions(mm)										Bolt Size (mm)	Weight (kg)
	d		H	L	J	A	N	N ₁	H ₁	H ₀	B ₁	S		
	(in)	(mm)												
TP-SUEP204 204-12	3/4	20	33.3	127	95	38	11	14	15	65.5	33	12.7	M10	0.31
TP-SUEP205 205-14 205-15 205-16	7/8 15/16 1	25	36.5	140	105	38	11	14	16	71	35.4	14.3	M10	0.35
TP-SUEP206 206-17 206-18 206-19 206-20	1-1/16 1-1/8 1-3/16 1-1/4	30	42.9	163	119	46	14	18	18	84	39.8	15.9	M12	0.56
TP-SUEP207 207-20 207-21 207-22 207-23	1-1/4 1-5/16 1-3/8 1-7/16	35	47.6	168	127	48	14	18	18	94.5	43.9	17.5	M12	0.8
TP-SUEP208 208-24 208-25	1-1/2 1-9/16	40	49.2	184	137	54	14	18	19.5	99	50.2	19	M12	1.02
TP-SUEP209 209-26 209-27 209-28	1-5/8 1-11/16 1-3/4	45	54	192	146	54	17	20	23	106	50.2	19	M16	1.16
TP-SUEP210 210-30 210-31 210-32	1-7/8 1-15/16 2	50	57.2	206	159	60	17	20	24	114	52.6	19	M16	1.31
TP-SUEP211 211-32 211-34 211-35	2 2-1/8 2-3/16	55	63.5	217	172	60	17	20	22	124	56.6	22.2	M16	1.69
TP-SUEP212 212-36 212-38 212-39	2-1/4 2-3/8 2-7/16	60	69.9	238	186	66	18	24	24	137	66.6	25.4	M16	2.31

MODE OF LOAD	BREAKING POINT OF HOUSINGS(N)									
	204	205	206	207	208	209	210	211	212	
	8800	13700	12650	12750	13100	13360	13850	14450	20130	
	7700	10000	10600	12750	11100	11400	11750	12450	13110	
	5000	5100	5750	7500	8500	8950	9550	10150	10700	

Notes: Anti-Bacteria Protection Series is available by adding prefix "AB" as designation. Ordering example: ABTP-SUEP204

Thermoplastic Housed Units **LDK**[®]

TP-SUCF Thermoplastic flange 4-bolt, Solid base housing, Stainless steel inserts, With food grade grease and silicon rubber seal, Setscrew locking



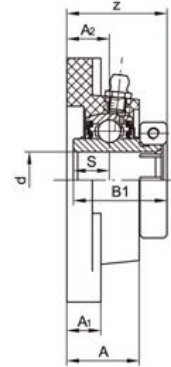
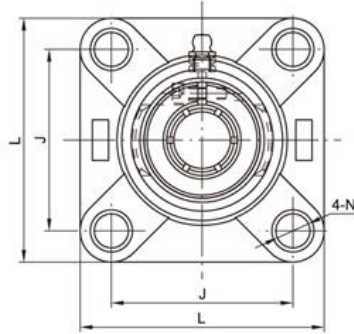
Unit No.	Shaft Dia		Dimensions(mm)									Bolt Size (mm)	Weight (kg)
	d		L	J	A ₂	A ₁	A	N	B	S	Z		
	(in)	(mm)											
TP-SUCF201 201-8	1/2	12	86	63.5	18	13.4	27.8	11	31	12.7	36.3	M10	0.29
TP-SUCF202 202-9 202-10	9/16 5/8	15	86	63.5	18	13.4	27.8	11	31	12.7	36.3	M10	0.29
TP-SUCF203 203-11	11/16	17	86	63.5	18	13.4	27.8	11	31	12.7	36.3	M10	0.29
TP-SUCF204 204-12	3/4	20	86	63.5	18	13.4	27.8	11	31	12.7	36.3	M10	0.29
TP-SUCF205 205-14 205-15 205-16	7/8 15/16 1	25	95	70	17	14	28	11	34.1	14.3	36.7	M10	0.32
TP-SUCF206 206-17 206-18 206-19 206-20	1-1/16 1-1/8 1-3/16 1-1/4	30	108	83	19.2	14.3	31.5	11	38.1	15.9	41.4	M10	0.54
TP-SUCF207 207-20 207-21 207-22 207-23	1-1/4 1-5/16 1-3/8 1-7/16	35	118	92	21.5	15.5	34.8	13	42.9	17.5	46.9	M12	0.75
TP-SUCF208 208-24 208-25	1-1/2 1-9/16	40	130	102	23	18	37.5	14	49.2	19	53.2	M12	0.99
TP-SUCF209 209-26 209-27 209-28	1-5/8 1-11/16 1-3/4	45	137	105	24	19	41	17	49.2	19	54.2	M16	1.12
TP-SUCF210 210-30 210-31 210-32	1-7/8 1-15/16 2	50	143	111	25	21	43	17	51.6	19	57.6	M16	1.24
TP-SUCF211 211-32 211-34 211-35	2 2-1/8 2-3/16	55	162	130	25	20	43	17	55.6	22.2	58.4	M16	1.58
TP-SUCF212 212-36 212-38 212-39	2-1/4 2-3/8 2-7/16	60	175	143	29	19	48	17	65.1	25.4	68.7	M16	2.1

MODE OF LOAD	BREAKING POINT OF HOUSINGS(N)								
	204	205	206	207	208	209	210	210	210
	15950	16000	18000	18500	19100	19350	19650	21550	22600
	10250	12150	17700	18500	19250	19350	19650	21500	21900
	4670	6590	7250	7910	8520	9010	9600	9700	9800

Notes: Anti-Bacteria Protection Series is available by adding prefix "AB" as designation. Ordering example: ABTP-SUCF204

LDK[®] Thermoplastic Housed Units

TP-SUEF Thermoplastic flange 4-bolt, Solid base housing, Stainless steel inserts, With food grade grease and silicon rubber seal, Concentric locking



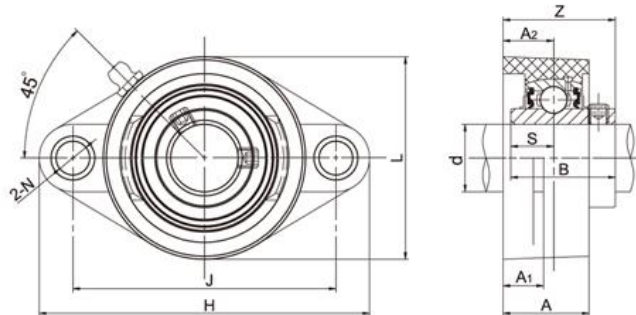
Unit No.	Shaft Dia		Dimensions(mm)									Bolt Size (mm)	Weight (kg)
	d		L	J	A ₂	A ₁	A	N	B ₁	S	Z		
	(in)	(mm)											
TP-SUEF204 204-12	3/4	20	86	63.5	18	13.4	27.8	11	33	12.7	32.3	M10	0.3
TP-SUEF205 205-14 205-15 205-16	7/8 15/16 1	25	95	70	17	14	28	11	35.4	14.3	38	M10	0.35
TP-SUEF206 206-17 206-18 206-19 206-20	1-1/16 1-1/8 1-3/16 1-1/4	30	108	83	19.2	14.3	31.5	11	39.8	15.9	43.1	M10	0.53
TP-SUEF207 207-20 207-21 207-22 207-23	1-1/4 1-5/16 1-3/8 1-7/16	35	118	92	21.5	15.5	34.8	13	43.9	17.5	47.9	M12	0.76
TP-SUEF208 208-24 208-25	1-1/2 1-9/16	40	130	102	23	18	37.5	14	50.2	19	54.2	M12	1.02
TP-SUEF209 209-26 209-27 209-28	1-5/8 1-11/16 1-3/4	45	137	105	24	19	41	17	50.2	19	55.2	M16	1.18
TP-SUEF210 210-30 210-31 210-32	1-7/8 1-15/16 2	50	143	111	25	21	43	17	52.6	19	58.6	M16	1.3
TP-SUEF211 211-32 211-34 211-35	2 2-1/8 2-3/16	55	162	130	25	20	43	17	56.6	22.2	59.4	M16	1.77
TP-SUEF212 212-36 212-38 212-39	2-1/4 2-3/8 2-7/16	60	175	143	29	19	48	17	66.6	25.4	70.2	M16	2.32

MODE OF LOAD	BREAKING POINT OF HOUSINGS(N)								
	204	205	206	207	208	209	210	210	210
	15950	16000	18000	18500	19100	19350	19650	21550	22600
	10250	12150	17700	18500	19250	19350	19650	21500	21900
	4670	6590	7250	7910	8520	9010	9600	9700	9800

Notes: Anti-Bacteria Protection Series is available by adding prefix "AB" as designation. Ordering example: ABTP-SUEF204

Thermoplastic Housed Units **LDK**[®]

TP-SUCFL Thermoplastic flange 2-bolt, Solid base housing, Stainless steel inserts, With food grade grease and silicon rubber seal, Setscrew locking



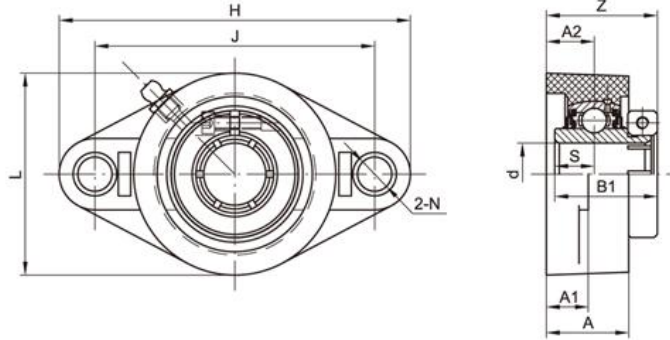
Unit No.	Shaft Dia		Dimensions(mm)										Bolt Size (mm)	Weight (kg)
	d (in)	d (mm)	H	J	A ₂	A ₁	A	N	L	B	S	Z		
TP-SUCFL201 201-8	1/2	12	113	90	15.4	14	26.5	11	65	31	12.7	33.7	M10	0.25
TP-SUCFL202 202-9 202-10	9/16 5/8	15	113	90	15.4	14	26.5	11	65	31	12.7	33.7	M10	0.25
TP-SUCFL203 203-11	11/16	17	113	90	15.4	14	26.5	11	65	31	12.7	33.7	M10	0.25
TP-SUCFL204 204-12	3/4	20	113	90	15.4	14	26.5	11	65	31	12.7	33.7	M10	0.25
TP-SUCFL205 205-14 205-15 205-16	7/8 15/16 1	25	131	99	17	14	29	11	69	34.1	14.3	36.7	M10	0.32
TP-SUCFL206 206-17 206-18 206-19 206-20	1-1/16 1-1/8 1-3/16 1-1/4	30	148	117	19	14	31	11	80	38.1	15.9	41.2	M10	0.5
TP-SUCFL207 207-20 207-21 207-22 207-23	1-1/4 1-5/16 1-3/8 1-7/16	35	166	130	18	16	32	13	92	42.9	17.5	43.4	M12	0.7
TP-SUCFL208 208-24 208-25	1-1/2 1-9/16	40	176	144	21.5	20	37.5	14	101	49.2	19	51.7	M12	0.89
TP-SUCFL209 209-26 209-27 209-28	1-5/8 1-11/16 1-3/4	45	189	148.5	24	21	41	17	108	49.2	19	54.2	M16	1.01
TP-SUCFL210 210-30 210-31 210-32	1-7/8 1-15/16 2	50	197	157	25	21	43	17	116	51.6	19	57.6	M16	1.13
TP-SUCFL211 211-32 211-34 211-35	2 2-1/8 2-3/16	55	224	184	25	20	43	17	130	55.6	22.2	58.1	M16	1.5
TP-SUCFL212 212-36 212-38 212-39	2-1/4 2-3/8 2-7/16	60	250	202	29	20	48	18	140	65.1	25.4	68.7	M16	2.1

MODE OF LOAD	BREAKING POINT OF HOUSINGS(N)								
	204	205	206	207	208	209	210	211	212
	10872	12554	18224	16900	17213	17600	17950	18300	18700
	10590	15093	16826	14900	15150	15350	15650	15900	16250
	5150	5310	5630	6000	6510	6940	7590	8250	8950

Notes: Anti-Bacteria Protection Series is available by adding prefix "AB" as designation. Ordering example: ABTP-SUCFL204

LDK[®] Thermoplastic Housed Units

TP-SUEFL Thermoplastic flange 2-bolt, Solid base housing, Stainless steel inserts,
With food grade grease and silicon rubber seal, Concentric locking



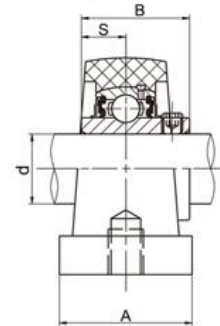
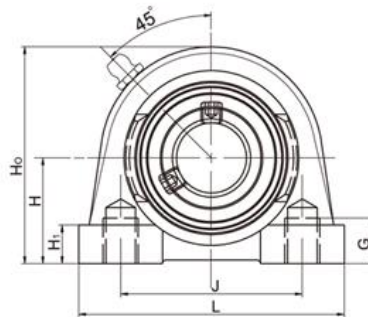
Unit No.	Shaft Dia		Dimensions(mm)										Bolt Size (mm)	Weight (kg)
	d		H	J	A ₂	A ₁	A	N	L	B ₁	S	Z		
	(in)	(mm)												
TP-SUEFL204 204-12	3/4	20	113	90	15.4	14	26.5	11	65	33	12.7	35.7	M10	0.26
TP-SUEFL205 205-14 205-15 205-16	7/8 15/16 1	25	131	99	17	14	29	11	69	35.4	14.3	38.0	M10	0.32
TP-SUEFL206 206-17 206-18 206-19 206-20	1-1/16 1-1/8 1-3/16 1-1/4	30	148	117	19	14	31	11	80	39.8	15.9	42.9	M10	0.47
TP-SUEFL207 207-20 207-21 207-22 207-23	1-1/4 1-5/16 1-3/8 1-7/16	35	166	130	18	16	32	13	92	43.9	17.5	44.4	M12	0.73
TP-SUEFL208 208-24 208-25	1-1/2 1-9/16	40	176	144	21.5	20	37.5	14	101	50.2	19	52.7	M12	0.94
TP-SUEFL209 209-26 209-27 209-28	1-5/8 1-11/16 1-3/4	45	189	148.5	24	21	41	17	108	50.2	19	55.2	M16	1.11
TP-SUEFL210 210-30 210-31 210-32	1-7/8 1-15/16 2	50	197	157	25	21	43	17	116	52.6	19	58.6	M16	1.22
TP-SUEFL211 211-32 211-34 211-35	2 2-1/8 2-3/16	55	224	184	25	20	43	17	130	56.6	22.2	59.4	M16	1.61
TP-SUEFL212 212-36 212-38 212-39	2-1/4 2-3/8 2-7/16	60	250	202	29	20	48	18	140	66.6	25.4	70.2	M16	2.28

MODE OF LOAD	BREAKING POINT OF HOUSINGS(N)									
	204	205	206	207	208	209	210	211	212	
	10872	12554	18224	16900	17213	17600	17950	18300	18700	
	10590	15093	16826	14900	15150	15350	15650	15900	16250	
	5150	5310	5630	6000	6510	6940	7590	8250	8950	

Notes: Anti-Bacteria Protection Series is available by adding prefix "AB" as designation. Ordering example: ABTP-SUEFL204

Thermoplastic Housed Units **LDK**[®]

TP-SUCPA Thermoplastic pillow blocks, Tapped base, Stainless steel inserts, With food grade grease and silicon rubber seal, Setscrew locking



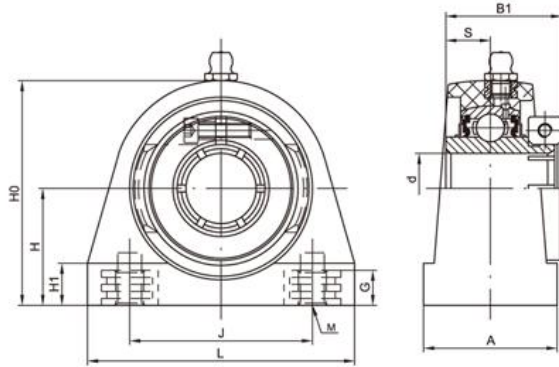
Unit No.	Shaft Dia		Dimensions(mm)									Bolt Size (mm)	Weight (kg)
	d (in)	d (mm)	H	L	J	A	H ₀	B	G	H ₁	S		
TP-SUCPA201 201-8	1/2	12	33.3	76	52	38	64	31	10	13	12.7	M8	0.26
TP-SUCPA202 202-9 202-10	9/16 5/8	15	33.3	76	52	38	64	31	10	13	12.7	M8	0.26
TP-SUCPA203 203-11	11/16	17	33.3	76	52	38	64	31	10	13	12.7	M8	0.26
TP-SUCPA204 204-12	3/4	20	33.3	76	52	38	64	31	10	13	12.7	M8	0.26
TP-SUCPA205 205-14 205-15 205-16	7/8 15/16 1	25	36.5	84	56	38	72	34.1	12	14	14.3	M10	0.32
TP-SUCPA206 206-17 206-18 206-19 206-20	1-1/16 1-1/8 1-3/16 1-1/4	30	42.9	95	66	48	84	38.1	12	16	15.9	M10	0.53
TP-SUCPA207 207-20 207-21 207-22 207-23	1-1/4 1-5/16 1-3/8 1-7/16	35	47.6	110	80	48	95	42.9	12	18	17.5	M10	0.73
TP-SUCPA208 208-24 208-25	1-1/2 1-9/16	40	49.2	116	84	54	100	49.2	15	18	19	M12	0.93
TP-SUCPA209 209-26 209-27 209-28	1-5/8 1-11/16 1-3/4	45	54.2	120	90	54	108	49.2	15	20	19	M12	1.06
TP-SUCPA210 210-30 210-31 210-32	1-7/8 1-15/16 2	50	57.2	130	94	60	116	51.6	18	21	19	M16	1.25

MODE OF LOAD	BREAKING POINT OF HOUSINGS(N)						
	204	205	206	207	208	209	210
	8210	8540	10370	12150	12230	12900	13850
	6900	7010	6580	8080	9100	10400	11050
	2980	2850	4950	8160	9800	10710	11360

Notes: Anti-Bacteria Protection Series is available by adding prefix "AB" as designation. Ordering example: ABTP-SUCPA204

LDK[®] Thermoplastic Housed Units

TP-SUEPA Thermoplastic pillow blocks, Tapped base, Stainless steel inserts,
With food grade grease and silicon rubber seal, Concentric locking



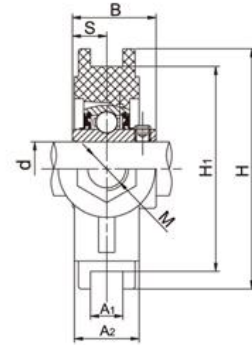
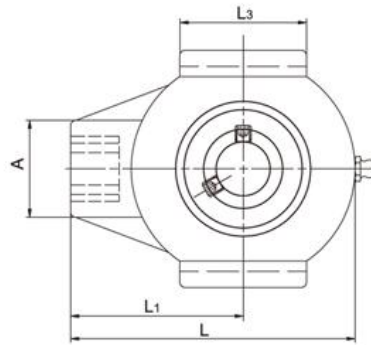
Unit No.	Shaft Dia		Dimensions(mm)										Weight (kg)
	d		H	L	J	A	H ₀	G	H ₁	B ₁	S	M	
	(in)	(mm)											
TP-SUEPA204 204-12	3/4	20	33.3	76	52	38	64	10	13	33	12.7	M8	0.29
TP-SUEPA205 205-14 205-15 205-16	7/8 15/16 1	25	36.5	84	56	38	72	12	14	35.4	14.3	M10	0.33
TP-SUEPA206 206-17 206-18 206-19 206-20	1-1/16 1-1/8 1-3/16 1-1/4	30	42.9	95	66	48	84	12	16	39.8	15.9	M10	0.52
TP-SUEPA207 207-20 207-21 207-22 207-23	1-1/4 1-5/16 1-3/8 1-7/16	35	47.6	110	80	48	95	12	18	43.9	17.5	M10	0.73
TP-SUEPA208 208-24 208-25	1-1/2 1-9/16	40	49.2	116	84	54	100	15	18	50.2	19	M12	0.93
TP-SUEPA209 209-26 209-27 209-28	1-5/8 1-11/16 1-3/4	45	54.2	120	90	54	108	15	20	50.2	19	M12	1.11
TP-SUEPA210 210-30 210-31 210-32	1-7/8 1-15/16 2	50	57.2	130	94	60	116	18	21	52.6	19	M16	1.28

MODE OF LOAD	BREAKING POINT OF HOUSINGS(N)						
	204	205	206	207	208	209	210
	8210	8540	10370	12150	12230	12900	13850
	6900	7010	6580	8080	9100	10400	11050
	2980	2850	4950	8160	9800	10710	11360

Notes: Anti-Bacteria Protection Series is available by adding prefix "AB" as designation. Ordering example: ABTP-SUEPA204

Thermoplastic Housed Units **LDK**[®]

TP-SUCT Thermoplastic take up, Stainless steel inserts, With food grade grease and silicon rubber seal, Setscrew locking



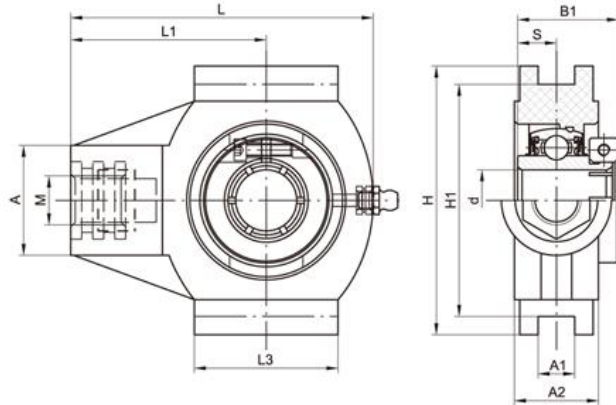
Unit No.	Shaft Dia		Dimensions(mm)											Weight (kg)
	d		L	A ₂	A ₁	L ₁	H	H ₁	M	A	L ₃	B	S	
	(in)	(mm)												
TP-SUCT201 201-8	1/2	12	99	27.5	12	64	88	76	M16	36	47	31	12.7	0.33
TP-SUCT202 202-9 202-10	9/16 5/8	15	99	27.5	12	64	88	76	M16	36	47	31	12.7	0.33
TP-SUCT203 203-11	11/16	17	99	27.5	12	64	88	76	M16	36	47	31	12.7	0.33
TP-SUCT204 204-12	3/4	20	99	27.5	12	64	88	76	M16	36	47	31	12.7	0.33
TP-SUCT205 205-14 205-15 205-16	7/8 15/16 1	25	99	27.5	12	64	88	76	M16	36	47	34.1	14.3	0.34
TP-SUCT206 206-17 206-18 206-19 206-20	1-1/16 1-1/8 1-3/16 1-1/4	30	125	34.5	12	76	102	89	M16	40	63	38.1	15.9	0.62
TP-SUCT207 207-20 207-21 207-22 207-23	1-1/4 1-5/16 1-3/8 1-7/16	35	125	34.5	12	76	102	89	M16	40	63	42.9	17.5	0.73
TP-SUCT208 208-24 208-25	1-1/2 1-9/16	40	140	34.5	16	85	114	102	M16	40	80	49.2	19	0.96
TP-SUCT209 209-26 209-27 209-28	1-5/8 1-11/16 1-3/4	45	149	40	16	90	116	102	M20	50	85	49.2	19	1.14
TP-SUCT210 210-30 210-31 210-32	1-7/8 1-15/16 2	50	149	40	16	90	116	102	M20	50	85	51.6	19	1.17

MODE OF LOAD	BREAKING POINT OF HOUSINGS(N)						
	204	205	206	207	208	209	210
	14800	15500	15800	16500	17300	18210	18860
	3930	4530	5100	6500	7800	8710	9750
	8500	10350	10900	11300	12150	12900	13550
	40770	45300	46100	44100	42800	44230	44880

Notes: Anti-Bacteria Protection Series is available by adding prefix "AB" as designation. Ordering example: ABTP-SUCT204

LDK[®] Thermoplastic Housed Units

TP-SUET Thermoplastic take up, Stainless steel inserts, With food grade grease and silicon rubber seal, Concentric locking



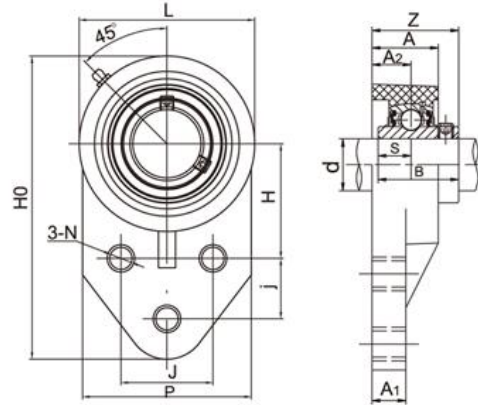
Unit No.	Shaft Dia		Dimensions(mm)											Weight (kg)
	d		L	A ₂	A ₁	L ₁	H	H ₁	M	A	L ₃	B ₁	S	
	(in)	(mm)												
TP-SUET204 204-12	3/4	20	99	27.5	12	64	88	76	M16	36	47	33	12.7	0.34
TP-SUET205 205-14 205-15 205-16	7/8 15/16 1	25	99	27.5	12	64	88	76	M16	36	47	35.4	14.3	0.35
TP-SUET206 206-17 206-18 206-19 206-20	1-1/16 1-1/8 1-3/16 1-1/4	30	125	34.5	12	76	102	89	M16	40	63	39.8	15.9	0.59
TP-SUET207 207-20 207-21 207-22 207-23	1-1/4 1-5/16 1-3/8 1-7/16	35	125	34.5	12	76	102	89	M16	40	63	43.9	17.5	0.75
TP-SUET208 208-24 208-25	1-1/2 1-9/16	40	140	34.5	16	85	114	102	M16	40	80	50.2	19	0.99
TP-SUET209 209-26 209-27 209-28	1-5/8 1-11/16 1-3/4	45	149	40	16	90	116	102	M20	50	85	50.2	19	1.19
TP-SUET210 210-30 210-31 210-32	1-7/8 1-15/16 2	50	149	40	16	90	116	102	M20	50	85	52.6	19	1.22

MODE OF LOAD	BREAKING POINT OF HOUSINGS(N)						
	204	205	206	207	208	209	210
	14800	15500	15800	16500	17300	18210	18860
	3930	4530	5100	6500	7800	8710	9750
	8500	10350	10900	11300	12150	12900	13550
	40770	45300	46100	44100	42800	44230	44880

Notes: Anti-Bacteria Protection Series is available by adding prefix "AB" as designation. Ordering example: ABTP-SUET204

Thermoplastic Housed Units **LDK**[®]

TP-SUCFB Thermoplastic flange bracket, Stainless steel inserts, With food grade grease and silicon rubber seal, Setscrew locking



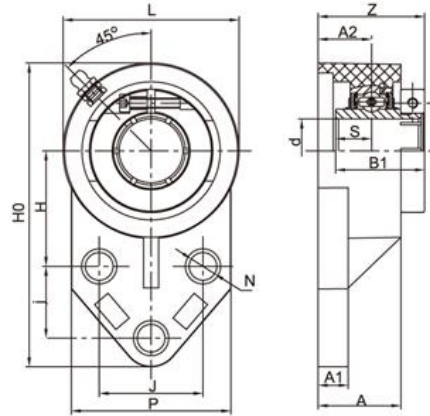
Unit No.	Shaft Dia		Dimensions(mm)													Bolt Size (mm)	Weight (kg)
	d (in)	d (mm)	H ₀	H	J	j	A ₂	A ₁	A	N	L	P	B	S	Z		
TP-SUCFB201 201-8	1/2	12	108	42.9	38.1	22.2	19.7	11.4	31.2	11	63	62	31	12.7	38	M10	0.28
TP-SUCFB202 202-9 202-10	9/16 5/8	15	108	42.9	38.1	22.2	19.7	11.4	31.2	11	63	62	31	12.7	38	M10	0.26
TP-SUCFB203 203-11	11/16	17	108	42.9	38.1	22.2	19.7	11.4	31.2	11	63	62	31	12.7	38	M10	0.25
TP-SUCFB204 204-12	3/4	20	108	42.9	38.1	22.2	19.7	11.4	31.2	11	63	62	31	12.7	38	M10	0.25
TP-SUCFB205 205-14 205-15 205-16	7/8 15/16 1	25	121	46	41.3	28.6	21.3	12.3	33	11	70	63	34.1	14.3	41.1	M10	0.30
TP-SUCFB206 206-17 206-18 206-19 206-20	1-1/16 1-1/8 1-3/16 1-1/4	30	139	52.4	47.6	31.8	22.9	14.5	35.4	11	83	76	38.1	15.9	47.6	M10	0.46
TP-SUCFB207 207-20 207-21 207-22 207-23	1-1/4 1-5/16 1-3/8 1-7/16	35	158	60.3	50.8	31.8	24.5	17	37.5	13	94	89	42.9	17.5	50.8	M12	0.66
TP-SUCFB208 208-24 208-25	1-1/2 1-9/16	40	178	67.3	54	35.5	26	18.5	39.5	13	103	99	49.2	19	54	M12	0.9

MODE OF LOAD	BREAKING POINT OF HOUSINGS(N)				
	204	205	206	207	208
	7200	9100	12200	12900	13600
	9200	11100	11800	11900	12100
	2600	2800	2900	3100	3300

Notes: Anti-Bacteria Protection Series is available by adding prefix "AB" as designation. Ordering example: ABTP-SUCFB204

LDK[®] Thermoplastic Housed Units

TP-SUEFB Thermoplastic flange bracket, Stainless steel inserts, With food grade grease and silicon rubber seal, Concentric locking



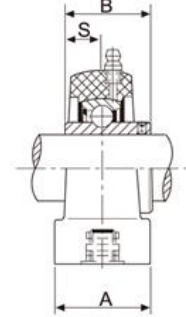
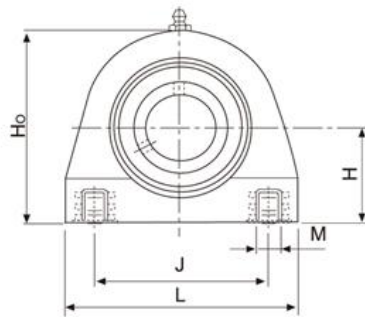
Unit No.	Shaft Dia		Dimensions(mm)													Bolt Size (mm)	Weight (kg)
	d		H ₀	H	J	j	A ₂	A ₁	A	N	L	P	B ₁	S	Z		
	(in)	(mm)															
TP-SUEFB204 204-12	3/4	20	108	42.9	38.1	22.2	19.7	11.4	31.2	11	63	62	33	12.7	40	M10	0.28
TP-SUEFB205 205-14 205-15 205-16	7/8 15/16 1	25	121	46	41.3	28.6	21.3	12.3	33	11	70	63	35.4	14.3	42.4	M10	0.33
TP-SUEFB206 206-17 206-18 206-19 206-20	1-1/16 1-1/8 1-3/16 1-1/4	30	139	52.4	47.6	31.8	22.9	14.5	35.4	11	83	76	39.8	15.9	46.8	M10	0.51
TP-SUEFB207 207-20 207-21 207-22 207-23	1-1/4 1-5/16 1-3/8 1-7/16	35	158	60.3	50.8	31.8	24.5	17	37.5	13	94	89	43.9	17.5	50.9	M12	0.77
TP-SUEFB208 208-24 208-25	1-1/2 1-9/16	40	178	67.3	54	35.5	26	18.5	39.5	13	103	99	50.2	19	57.2	M12	1.02

MODE OF LOAD					
	204	205	206	207	208
	7200	9100	12200	12900	13600
	9200	11100	11800	11900	12100
	2600	2800	2900	3100	3300

Notes: Anti-Bacteria Protection Series is available by adding prefix "AB" as designation. Ordering example: ABTP-SUEFB204

Thermoplastic Housed Units **LDK**[®]

TP-SUCTB Thermoplastic pillow blocks, Tapped base, Stainless steel inserts,
With food grade grease and silicon rubber seal, Setscrew locking

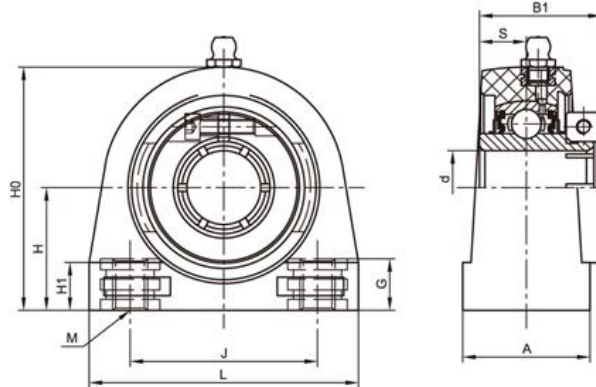


Unit No.	Shaft Dia		Dimensions(mm)								Weight (kg)
	d		H	A	Ho	J	L	M	B	S	
	(in)	(mm)									
TP-SUCTB201 201-8	1/2	12	33.3	34.5	66	50.8	73	3/8-16	31	12.7	0.26
TP-SUCTB202-9 202 202-10	9/16 5/8	15	33.3	34.5	66	50.8	73	3/8-16	31	12.7	0.26
TP-SUCTB203 203-11	11/16	17	33.3	34.5	66	50.8	73	3/8-16	31	12.7	0.26
TP-SUCTB204-12 204	3/4	20	33.3	34.5	66	50.8	73	3/8-16	31	12.7	0.26
TP-SUCTB205-14 205-15 205 205-16	7/8 15/16 1	25	36.5	39.7	73.4	50.8	76.2	3/8-16	34.1	14.3	0.32
TP-SUCTB206-17 206-18 206 206-19 206-20	1-1/16 1-1/8 1-3/16 1-1/4	30	42.9	42.5	84	76.2	101.6	7/16-14	38.1	15.9	0.53
TP-SUCTB207-20 207-21 207-22 207 207-23	1-1/4 1-5/16 1-3/8 1-7/16	35	47.6	47.6	95	82.6	111	1/2-13	42.9	17.5	0.73
TP-SUCTB208-24 208-25 208	1-1/2 1-9/16	40	49.2	47.6	100.4	88.9	120	1/2-13	49.2	19	0.93
TP-SUCTB209-26 209-27 209-28 209	1-5/8 1-11/16 1-3/4	45	54.2	50	108.5	95.3	124	1/2-13	49.2	19	1.06
TP-SUCTB210-30 210-31 210 210-32	1-7/8 1-15/16 2	50	57.2	54	115	101.6	135	5/8-11	51.6	19	1.25

Notes: Anti-Bacteria Protection Series is available by adding prefix "AB" as designation. Ordering example: ABTP-SUCTB204

LDK[®] Thermoplastic Housed Units

TP-SUETB Thermoplastic pillow blocks, Tapped base, Stainless steel inserts, With food grade grease and silicon rubber seal, Concentric locking

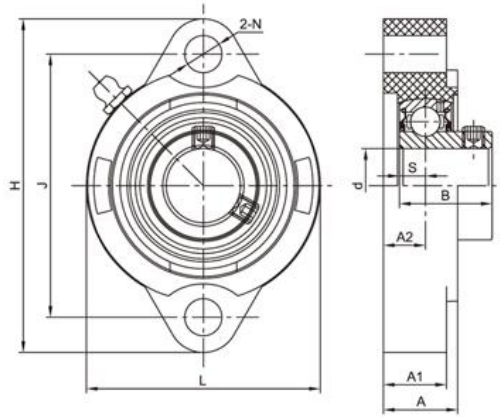


Unit No.	Shaft Dia		Dimensions(mm)										Weight (kg)
	d		H	A	Ho	J	L	M	G	H ₁	B ₁	S	
	(in)	(mm)											
TP-SUETB204-12 204	3/4	20	33.3	34.5	66	50.8	73	3/8-16	14	13	33	12.7	0.28
TP-SUETB205-14 205-15 205 205-16	7/8 15/16 1	25	36.5	39.7	73.4	50.8	76.2	3/8-16	14	13	35.4	14.3	0.34
TP-SUETB206-17 206-18 206 206-19 206-20	1-1/16 1-1/8 1-3/16 1-1/4	30	42.9	42.5	84	76.2	101.6	7/16-14	14	16	39.8	15.9	0.52
TP-SUETB207-20 207-21 207-22 207 207-23	1-1/4 1-5/16 1-3/8 1-7/16	35	47.6	47.6	95	82.6	111	1/2-13	15	16	43.9	17.5	0.75
TP-SUETB208-24 208-25 208	1-1/2 1-9/16	40	49.2	47.6	100.4	88.9	120	1/2-13	15	16	50.2	19	0.94
TP-SUETB209-26 209-27 209-28 209	1-5/8 1-11/16 1-3/4	45	54.2	50	108.5	95.3	124	1/2-13	15	19	50.2	19	1.11
TP-SUETB210-30 210-31 210 210-32	1-7/8 1-15/16 2	50	57.2	54	115	101.6	135	5/8-11	18	22	52.6	19	1.26

Notes: Anti-Bacteria Protection Series is available by adding prefix "AB" as designation. Ordering example: ABTP-SUETB204

Thermoplastic Housed Units **LDK**[®]

TP-SSBLF Thermoplastic flange 2-bolt, Stainless steel inserts, With food grade grease and silicon rubber seal, Setscrew locking

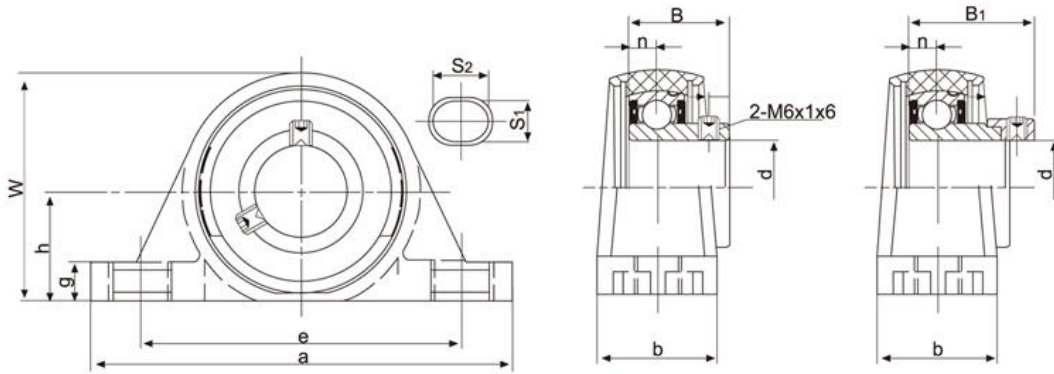


Unit No.	Shaft Dia		Dimensions(mm)									Weight (kg)
	d		H	J	L	A ₁	A	N	A ₂	B	S	
	(in)	(mm)										
TP-SSBLF203 203-11	11/16	17	81	63.5	56	16	18	9	9.5	22	6	0.18
TP-SSBLF204 204-12	3/4	20	90.5	71.4	66.5	18.4	20	9	9.5	25	7	0.17
TP-SSBLF205 205-13 205-14 205-15 205-16	13/16 7/8 15/16 1	25	97	76.2	71	18.4	21.2	9	10	27	7.5	0.26
TP-SSBLF206 206-17 206-18 206-19 206-20	1-1/16 1-1/8 1-3/16 1-1/4	30	112.5	90.5	84	20.5	23.3	11	11.5	30	8	0.36
TP-SSBLF207 207-20 207-21 207-22 207-23	1-1/4 1-5/16 1-3/8 1-7/16	35	126	100	94	22.5	25.3	11	12.5	32	8.5	0.56
TP-SSBLF208 208-24 208-25	1-1/2 1-9/16	40	150	119	100	24	26.8	14	13.5	34	9	0.78

Notes: Anti-Bacteria Protection Series is available by adding prefix "AB" as designation. Ordering example: ABTP-SSBLF204

LDK[®] Thermoplastic Housed Units

TP-SBPY/TP-SAPY Thermoplastic pillow blocks, Chrome or Stainless steel inserts, Narrow inner ring, Setscrew/Eccentric locking



TP-SAPY205



TP-SBPY205

Unit No	Shaft d(mm)	Dimensions(mm)											Bolt Size	Housing No.	Bearing No.	Housing Weight (kg)
		h	a	e	b	S ₁	S ₂	g	w	B ₁	B	n				
TP-SBPY205-16	1"	29	114	87	32	11	15	10	61	-	27	7.5	3/8	PY205	SB205-16	0.065
TP-SSBPY205-16	1"	29	114	87	32	11	15	10	61	-	27	7.5	3/8	PY205	SSB205-16	0.065
TP-SAPY205-16	1"	29	114	87	32	11	15	10	61	31.5	-	7.5	3/8	PY205	SA205-16	0.065
TP-SSAPY205-16	1"	29	114	87	32	11	15	10	61	31.5	-	7.5	3/8	PY205	SSA205-16	0.065

Notes: Anti-Bacteria Protection Series is available by adding prefix "AB" as designation. Ordering example: ABTP-SSBPY205-16

Thermoplastic Housed Units **LDK**[®]

Accessories: End-covers, Back seal



TP-BE



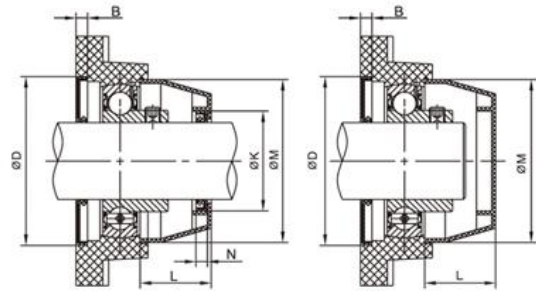
TP-OC



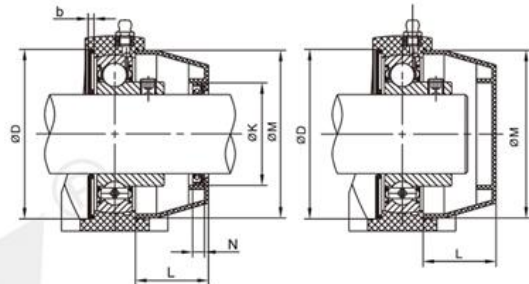
TP-CC

Plastic Covers: Open/Close Type (OC / CC)

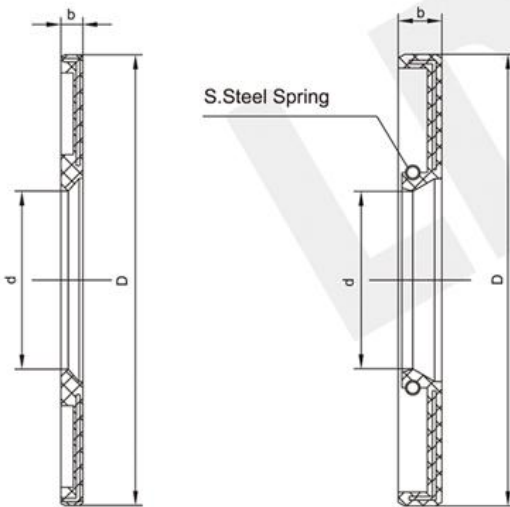
Shaft diameter		Dimensions(mm)						
mm	inch	K	N	L	M	D	B	b
12	1/2	32	7	23	50	52	6	3
15	9/16 5/8	32	7	23	50	52	6	3
17	1 1/16	32	7	23	50	52	6	3
20	3/4	32	7	23	50	52	6	3
25	1 3/16 1 1/8 1 5/16 1	37	7	25	55	62	6	3
30	1 1/8 1 1/8 1 3/16 1 1/4	42	7	30	64	72	6	3
35	1 1/4 1 5/16 1 3/8 1 1/2	47	7	32	74.5	82	6	3
40	1 1/2 1 9/16	52	7	37	84	88	6	3
45	1 5/8 1 1/2 1 1/2	57	7	41	89	93	6	3
50	1 3/4 1 5/8 1 5/8 1 7/8 2	62	7	47	94	98	6	3
55	2 2 2 1/8 2 3/16	67	7	49	102	108	6	3
60	2 1/4 2 3/8 2 7/16	72	7	48	116	116	6	3



• Flange Units



• Pillow Block Units



BACK SEALS

SIZE	DIM	FOR P T PA HOUSING			FOR F FL FB HOUSING		
		d	b	D	d	b	D
BS204	20	3	52	20	6	52	
BS205	25	3	56	25	6	62	
BS206	30	3	66	30	6	72	
BS207	35	3	76	35	6	82	
BS208	40	3	86	40	6	88	
BS209	45	3	90	45	6	93	
BS210	50	3	96	50	6	98	
BS211	55	3	107	55	6	108	
BS212	60	3	116	60	6	116	

Notes: End caps and back seal could be ordered separately, Ordering example: TP-CC205, TP-OC205, TP-BE205. Upon request Anti-Bacteria Protection Series is available by adding prefix "AB" as designation. Ordering example: ABTP-OC205