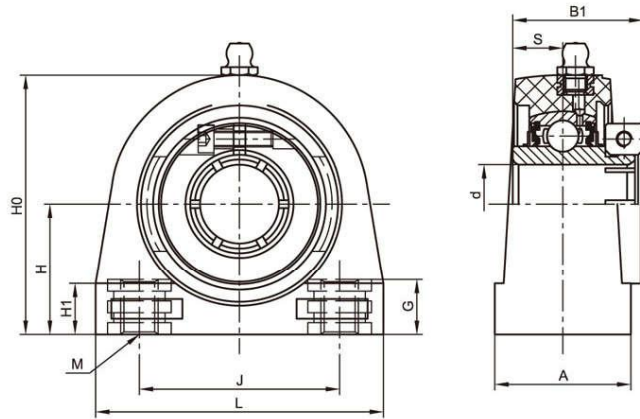


LDK[®] Thermoplastic Housed Units

TP-SUETB Thermoplastic pillow blocks, Tapped base, Stainless steel inserts, With food grade grease and silicon rubber seal, Concentric locking



Unit No.	Shaft Dia		Dimensions(mm)										Weight (kg)
	d		H	A	Ho	J	L	M	G	H ₁	B ₁	S	
	(in)	(mm)											
TP-SUETB204-12 204	3/4	20	33.3	34.5	66	50.8	73	3/8-16	14	13	33	12.7	0.28
TP-SUETB205-14 205-15 205 205-16	7/8 15/16 1	25	36.5	39.7	73.4	50.8	76.2	3/8-16	14	13	35.4	14.3	0.34
TP-SUETB206-17 206-18 206 206-19 206-20	1-1/16 1-1/8 30 1-3/16 1-1/4	30	42.9	42.5	84	76.2	101.6	7/16-14	14	16	39.8	15.9	0.52
TP-SUETB207-20 207-21 207-22 207 207-23	1-1/4 1-5/16 1-3/8 1-7/16	35	47.6	47.6	95	82.6	111	1/2-13	15	16	43.9	17.5	0.75
TP-SUETB208-24 208-25 208	1-1/2 1-9/16 40	40	49.2	47.6	100.4	88.9	120	1/2-13	15	16	50.2	19	0.94
TP-SUETB209-26 209-27 209-28 209	1-5/8 1-11/16 1-3/4 45	45	54.2	50	108.5	95.3	124	1/2-13	15	19	50.2	19	1.11
TP-SUETB210-30 210-31 210 210-32	1-7/8 1-15/16 50 2	50	57.2	54	115	101.6	135	5/8-11	18	22	52.6	19	1.26

Notes: Anti-Bacteria Protection Series is available by adding prefix "AB" as designation. Ordering example: ABTP-SUETB204