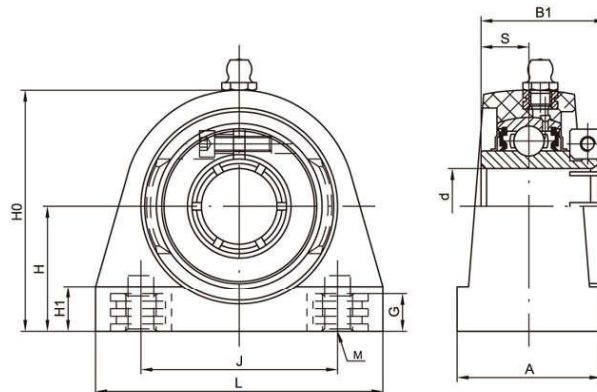


# LDK<sup>®</sup> Thermoplastic Housed Units

TP-SUEPA Thermoplastic pillow blocks, Tapped base, Stainless steel inserts,  
With food grade grease and silicon rubber seal, Concentric locking



Unit No.	Shaft Dia		Dimensions(mm)										Weight (kg)
	d		H	L	J	A	H <sub>0</sub>	G	H <sub>1</sub>	B <sub>1</sub>	S	M	
	(in)	(mm)											
TP-SUEPA204 204-12	3/4	20	33.3	76	52	38	64	10	13	33	12.7	M8	0.29
TP-SUEPA205 205-14 205-15 205-16	7/8 15/16 1	25	36.5	84	56	38	72	12	14	35.4	14.3	M10	0.33
TP-SUEPA206 206-17 206-18 206-19 206-20	1-1/16 1-1/8 1-3/16 1-1/4	30	42.9	95	66	48	84	12	16	39.8	15.9	M10	0.52
TP-SUEPA207 207-20 207-21 207-22 207-23	1-1/4 1-5/16 1-3/8 1-7/16	35	47.6	110	80	48	95	12	18	43.9	17.5	M10	0.73
TP-SUEPA208 208-24 208-25	1-1/2 1-9/16	40	49.2	116	84	54	100	15	18	50.2	19	M12	0.93
TP-SUEPA209 209-26 209-27 209-28	1-5/8 1-11/16 1-3/4	45	54.2	120	90	54	108	15	20	50.2	19	M12	1.11
TP-SUEPA210 210-30 210-31 210-32	1-7/8 1-15/16 2	50	57.2	130	94	60	116	18	21	52.6	19	M16	1.28

MODE OF LOAD	BREAKING POINT OF HOUSINGS(N)						
	204	205	206	207	208	209	210
	8210	8540	10370	12150	12230	12900	13850
	6900	7010	6580	8080	9100	10400	11050
	2980	2850	4950	8160	9800	10710	11360

Notes: Anti-Bacteria Protection Series is available by adding prefix "AB" as designation. Ordering example: ABTP-SUEPA204