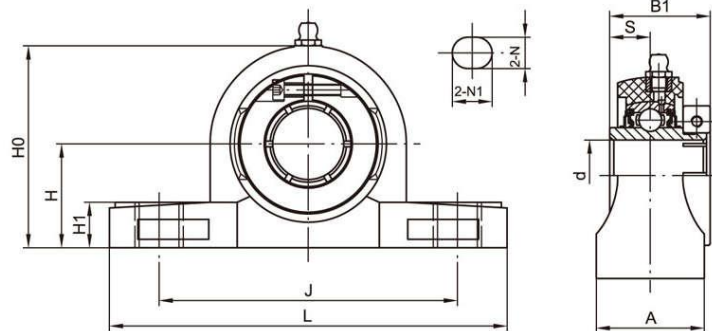


LDK[®] Thermoplastic Housed Units

TP-SUEP Thermoplastic pillow blocks, Solid base housing, Stainless steel inserts,
With food grade grease and silicon rubber seal, Concentric locking



| Unit No. | Shaft Dia | | Dimensions(mm) | | | | | | | | | | Bolt Size (mm) | Weight (kg) |
|--|------------------------------------|------|----------------|-----|-----|----|----|----------------|----------------|----------------|----------------|------|----------------|-------------|
| | d | | H | L | J | A | N | N ₁ | H ₁ | H ₀ | B ₁ | S | | |
| | (in) | (mm) | | | | | | | | | | | | |
| TP-SUEP204 204-12 | 3/4 | 20 | 33.3 | 127 | 95 | 38 | 11 | 14 | 15 | 65.5 | 33 | 12.7 | M10 | 0.31 |
| TP-SUEP205 205-14 205-15 205-16 | 7/8 15/16 1 | 25 | 36.5 | 140 | 105 | 38 | 11 | 14 | 16 | 71 | 35.4 | 14.3 | M10 | 0.35 |
| TP-SUEP206 206-17 206-18 206-19 206-20 | 1-1/16 1-1/8 1-3/16 1-1/4 | 30 | 42.9 | 163 | 119 | 46 | 14 | 18 | 18 | 84 | 39.8 | 15.9 | M12 | 0.56 |
| TP-SUEP207 207-20 207-21 207-22 207-23 | 1-1/4 1-5/16 1-3/8 1-7/16 | 35 | 47.6 | 168 | 127 | 48 | 14 | 18 | 18 | 94.5 | 43.9 | 17.5 | M12 | 0.8 |
| TP-SUEP208 208-24 208-25 | 1-1/2 1-9/16 | 40 | 49.2 | 184 | 137 | 54 | 14 | 18 | 19.5 | 99 | 50.2 | 19 | M12 | 1.02 |
| TP-SUEP209 209-26 209-27 209-28 | 1-5/8 1-11/16 1-3/4 | 45 | 54 | 192 | 146 | 54 | 17 | 20 | 23 | 106 | 50.2 | 19 | M16 | 1.16 |
| TP-SUEP210 210-30 210-31 210-32 | 1-7/8 1-15/16 2 | 50 | 57.2 | 206 | 159 | 60 | 17 | 20 | 24 | 114 | 52.6 | 19 | M16 | 1.31 |
| TP-SUEP211 211-32 211-34 211-35 | 2 2-1/8 2-3/16 | 55 | 63.5 | 217 | 172 | 60 | 17 | 20 | 22 | 124 | 56.6 | 22.2 | M16 | 1.69 |
| TP-SUEP212 212-36 212-38 212-39 | 2-1/4 2-3/8 2-7/16 | 60 | 69.9 | 238 | 186 | 66 | 18 | 24 | 24 | 137 | 66.6 | 25.4 | M16 | 2.31 |

| MODE OF LOAD | BREAKING POINT OF HOUSINGS(N) | | | | | | | | | |
|--------------|-------------------------------|-------|-------|-------|-------|-------|-------|-------|-------|--|
| | 204 | 205 | 206 | 207 | 208 | 209 | 210 | 211 | 212 | |
| | 8800 | 13700 | 12650 | 12750 | 13100 | 13360 | 13850 | 14450 | 20130 | |
| | 7700 | 10000 | 10600 | 12750 | 11100 | 11400 | 11750 | 12450 | 13110 | |
| | 5000 | 5100 | 5750 | 7500 | 8500 | 8950 | 9550 | 10150 | 10700 | |

Notes: Anti-Bacteria Protection Series is available by adding prefix "AB" as designation. Ordering example: ABTP-SUEP204