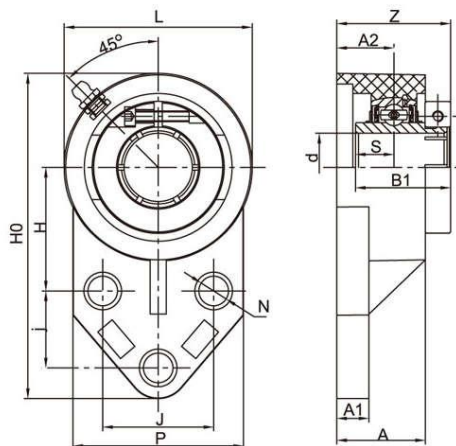


# LDK<sup>®</sup> Thermoplastic Housed Units

TP-SUEFB Thermoplastic flange bracket, Stainless steel inserts, With food grade grease and silicon rubber seal, Concentric locking



Unit No.	Shaft Dia		Dimensions(mm)													Bolt Size (mm)	Weight (kg)
	d		H <sub>0</sub>	H	J	j	A <sub>2</sub>	A <sub>1</sub>	A	N	L	P	B <sub>1</sub>	S	Z		
	(in)	(mm)															
TP-SUEFB204 204-12	3/4	20	108	42.9	38.1	22.2	19.7	11.4	31.2	11	63	62	33	12.7	40	M10	0.28
TP-SUEFB205 205-14 205-15 205-16	7/8 15/16 1	25	121	46	41.3	28.6	21.3	12.3	33	11	70	63	35.4	14.3	42.4	M10	0.33
TP-SUEFB206 206-17 206-18 206-19 206-20	1-1/16 1-1/8 1-3/16 1-1/4	30	139	52.4	47.6	31.8	22.9	14.5	35.4	11	83	76	39.8	15.9	46.8	M10	0.51
TP-SUEFB207 207-20 207-21 207-22 207-23	1-1/4 1-5/16 1-3/8 1-7/16	35	158	60.3	50.8	31.8	24.5	17	37.5	13	94	89	43.9	17.5	50.9	M12	0.77
TP-SUEFB208 208-24 208-25	1-1/2 1-9/16	40	178	67.3	54	35.5	26	18.5	39.5	13	103	99	50.2	19	57.2	M12	1.02

MODE OF LOAD					
	204	205	206	207	208
	7200	9100	12200	12900	13600
	9200	11100	11800	11900	12100
	2600	2800	2900	3100	3300

Notes: Anti-Bacteria Protection Series is available by adding prefix "AB" as designation. Ordering example: ABTP-SUEFB204