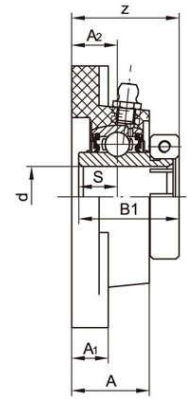
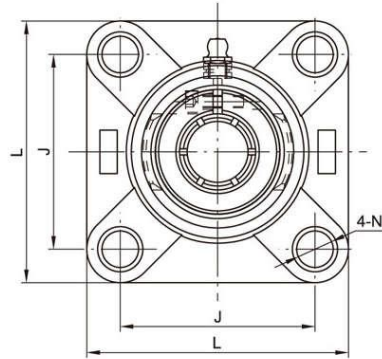


LDK[®] Thermoplastic Housed Units

TP-SUEF Thermoplastic flange 4-bolt, Solid base housing, Stainless steel inserts,
With food grade grease and silicon rubber seal, Concentric locking



Unit No.	Shaft Dia		Dimensions(mm)										Bolt Size (mm)	Weight (kg)
	d		L	J	A ₂	A ₁	A	N	B ₁	S	Z			
	(in)	(mm)												
TP-SUEF204 204-12	3/4	20	86	63.5	18	13.4	27.8	11	33	12.7	32.3	M10	0.3	
TP-SUEF205 205-14 205-15 205-16	7/8 15/16 1	25	95	70	17	14	28	11	35.4	14.3	38	M10	0.35	
TP-SUEF206 206-17 206-18 206-19 206-20	1-1/16 1-1/8 1-3/16 1-1/4	30	108	83	19.2	14.3	31.5	11	39.8	15.9	43.1	M10	0.53	
TP-SUEF207 207-20 207-21 207-22 207-23	1-1/4 1-5/16 1-3/8 1-7/16	35	118	92	21.5	15.5	34.8	13	43.9	17.5	47.9	M12	0.76	
TP-SUEF208 208-24 208-25	1-1/2 1-9/16	40	130	102	23	18	37.5	14	50.2	19	54.2	M12	1.02	
TP-SUEF209 209-26 209-27 209-28	1-5/8 1-11/16 1-3/4	45	137	105	24	19	41	17	50.2	19	55.2	M16	1.18	
TP-SUEF210 210-30 210-31 210-32	1-7/8 1-15/16 2	50	143	111	25	21	43	17	52.6	19	58.6	M16	1.3	
TP-SUEF211 211-32 211-34 211-35	2 2-1/8 2-3/16	55	162	130	25	20	43	17	56.6	22.2	59.4	M16	1.77	
TP-SUEF212 212-36 212-38 212-39	2-1/4 2-3/8 2-7/16	60	175	143	29	19	48	17	66.6	25.4	70.2	M16	2.32	

MODE OF LOAD	BREAKING POINT OF HOUSINGS(N)									
	204	205	206	207	208	209	210	210	210	210
	15950	16000	18000	18500	19100	19350	19650	21550	22600	
	10250	12150	17700	18500	19250	19350	19650	21500	21900	
	4670	6590	7250	7910	8520	9010	9600	9700	9800	

Notes: Anti-Bacteria Protection Series is available by adding prefix "AB" as designation. Ordering example: ABTP-SUEF204