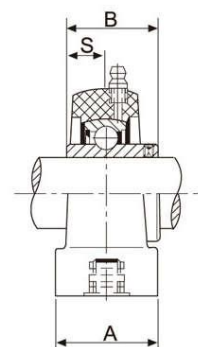
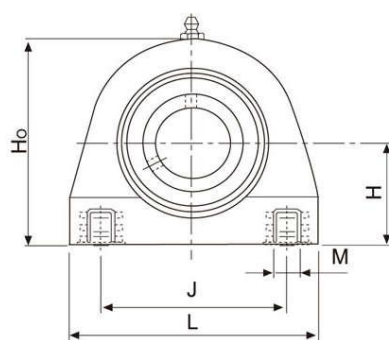


# Thermoplastic Housed Units **LDK**<sup>®</sup>

**TP-SUCTB** Thermoplastic pillow blocks, Tapped base, Stainless steel inserts,  
With food grade grease and silicon rubber seal, Setscrew locking



Unit No.	Shaft Dia		Dimensions(mm)								Weight (kg)
	d (in)	d (mm)	H	A	Ho	J	L	M	B	S	
TP-SUCTB201 201-8	1/2	12	33.3	34.5	66	50.8	73	3/8-16	31	12.7	0.26
TP-SUCTB202-9 202 202-10	9/16 5/8	15	33.3	34.5	66	50.8	73	3/8-16	31	12.7	0.26
TP-SUCTB203 203-11	11/16	17	33.3	34.5	66	50.8	73	3/8-16	31	12.7	0.26
TP-SUCTB204-12 204	3/4 20	20	33.3	34.5	66	50.8	73	3/8-16	31	12.7	0.26
TP-SUCTB205-14 205-15 205 205-16	7/8 15/16 1	25	36.5	39.7	73.4	50.8	76.2	3/8-16	34.1	14.3	0.32
TP-SUCTB206-17 206-18 206 206-19 206-20	1-1/16 1-1/8 1-3/16 1-1/4	30	42.9	42.5	84	76.2	101.6	7/16-14	38.1	15.9	0.53
TP-SUCTB207-20 207-21 207-22 207 207-23	1-1/4 1-5/16 1-3/8 1-7/16	35	47.6	47.6	95	82.6	111	1/2-13	42.9	17.5	0.73
TP-SUCTB208-24 208-25 208	1-1/2 1-9/16	40	49.2	47.6	100.4	88.9	120	1/2-13	49.2	19	0.93
TP-SUCTB209-26 209-27 209-28 209	1-5/8 1-11/16 1-3/4	45	54.2	50	108.5	95.3	124	1/2-13	49.2	19	1.06
TP-SUCTB210-30 210-31 210 210-32	1-7/8 1-15/16 2	50	57.2	54	115	101.6	135	5/8-11	51.6	19	1.25

Notes: Anti-Bacteria Protection Series is available by adding prefix "AB" as designation. Ordering example: ABTP-SUCTB204