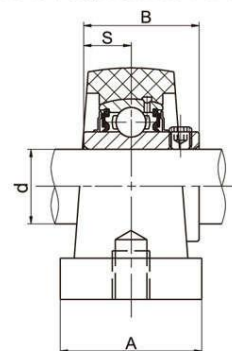
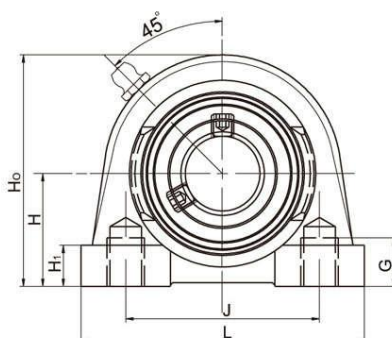


Thermoplastic Housed Units **LDK**[®]

TP-SUCPA Thermoplastic pillow blocks, Tapped base, Stainless steel inserts, With food grade grease and silicon rubber seal, Setscrew locking



Unit No.	Shaft Dia		Dimensions(mm)									Bolt Size (mm)	Weight (kg)
	d (in)	d (mm)	H	L	J	A	H ₀	B	G	H ₁	S		
TP-SUCPA201 201-8	1/2	12	33.3	76	52	38	64	31	10	13	12.7	M8	0.26
TP-SUCPA202 202-9 202-10	9/16 5/8	15	33.3	76	52	38	64	31	10	13	12.7	M8	0.26
TP-SUCPA203 203-11	11/16	17	33.3	76	52	38	64	31	10	13	12.7	M8	0.26
TP-SUCPA204 204-12	3/4	20	33.3	76	52	38	64	31	10	13	12.7	M8	0.26
TP-SUCPA205 205-14 205-15 205-16	7/8 15/16 1	25	36.5	84	56	38	72	34.1	12	14	14.3	M10	0.32
TP-SUCPA206 206-17 206-18 206-19 206-20	1-1/16 1-1/8 1-3/16 1-1/4	30	42.9	95	66	48	84	38.1	12	16	15.9	M10	0.53
TP-SUCPA207 207-20 207-21 207-22 207-23	1-1/4 1-5/16 1-3/8 1-7/16	35	47.6	110	80	48	95	42.9	12	18	17.5	M10	0.73
TP-SUCPA208 208-24 208-25	1-1/2 1-9/16	40	49.2	116	84	54	100	49.2	15	18	19	M12	0.93
TP-SUCPA209 209-26 209-27 209-28	1-5/8 1-11/16 1-3/4	45	54.2	120	90	54	108	49.2	15	20	19	M12	1.06
TP-SUCPA210 210-30 210-31 210-32	1-7/8 1-15/16 2	50	57.2	130	94	60	116	51.6	18	21	19	M16	1.25

MODE OF LOAD	BREAKING POINT OF HOUSINGS(N)						
	204	205	206	207	208	209	210
	8210	8540	10370	12150	12230	12900	13850
	6900	7010	6580	8080	9100	10400	11050
	2980	2850	4950	8160	9800	10710	11360

Notes: Anti-Bacteria Protection Series is available by adding prefix "AB" as designation. Ordering example: ABTP-SUCPA204