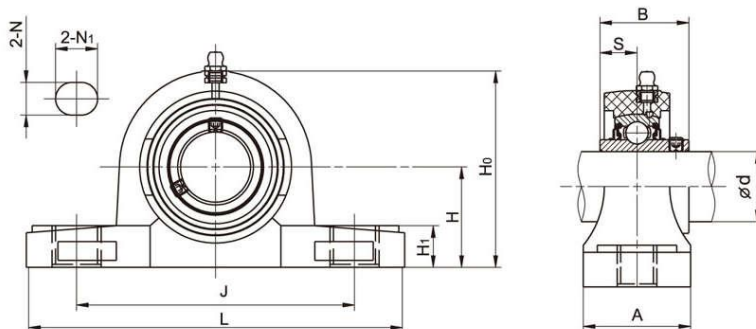


# Thermoplastic Housed Units **LDK**<sup>®</sup>

**TP-SUCP Thermoplastic pillow blocks, Solid base housing, Stainless steel inserts, With food grade grease and silicon rubber seal, Setscrew locking.**



Unit No.	Shaft Dia		Dimensions(mm)										Bolt Size (mm)	Weight (kg)
	d		H	L	J	A	N	N <sub>1</sub>	H <sub>1</sub>	H <sub>0</sub>	B	S		
	(in)	(mm)												
TP-SUCP201 201-8	1/2	12	33.3	127	95	38	11	14	15	65.5	31	12.7	M10	0.29
TP-SUCP202 202-9 202-10	9/16 5/8	15	33.3	127	95	38	11	14	15	65.5	31	12.7	M10	0.29
TP-SUCP203 203-11	11/16	17	33.3	127	95	38	11	14	15	65.5	31	12.7	M10	0.29
TP-SUCP204 204-12	3/4	20	33.3	127	95	38	11	14	15	65.5	31	12.7	M10	0.29
TP-SUCP205 205-14 205-15 205-16	7/8 15/16 1	25	36.5	140	105	38	11	14	16	71	34.1	14.3	M10	0.32
TP-SUCP206 206-17 206-18 206-19 206-20	1-1/16 1-1/8 1-3/16 1-1/4	30	42.9	163	119	46	14	18	18	84	38.1	15.9	M12	0.58
TP-SUCP207 207-20 207-21 207-22 207-23	1-1/4 1-5/16 1-3/8 1-7/16	35	47.6	168	127	48	14	18	18	94.5	42.9	17.5	M12	0.76
TP-SUCP208 208-24 208-25	1-1/2 1-9/16	40	49.2	184	137	54	14	18	19.5	99	49.2	19	M12	0.97
TP-SUCP209 209-26 209-27 209-28	1-5/8 1-11/16 1-3/4	45	54	192	146	54	17	20	23	106	49.2	19	M16	1.08
TP-SUCP210 210-30 210-31 210-32	1-7/8 1-15/16 2	50	57.2	206	159	60	17	20	24	114	51.6	19	M16	1.24
TP-SUCP211 211-32 211-34 211-35	2 2-1/8 2-3/16	55	63.5	217	172	60	17	20	22	124	55.6	22.2	M16	1.6
TP-SUCP212 212-36 212-38 212-39	2-1/4 2-3/8 2-7/16	60	69.9	238	186	66	18	24	24	137	65.1	25.4	M16	2.4

MODE OF LOAD	BREAKING POINT OF HOUSINGS(N)									
	204	205	206	207	208	209	210	211	212	
	8800	13700	12650	12750	13100	13360	13850	14450	20130	
	7700	10000	10600	12750	11100	11400	11750	12450	13110	
	5000	5100	5750	7500	8500	8950	9550	10150	10700	

Notes: Anti-Bacteria Protection Series is available by adding prefix "AB" as designation. Ordering example: ABTP-SUCP204