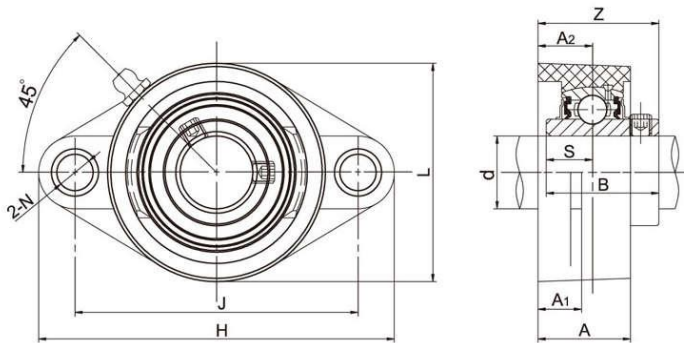


Thermoplastic Housing Units **LDK**[®]

TP-SUCFL Thermoplastic flange 2-bolt, Solid base housing, Stainless steel inserts, With food grade grease and silicon rubber seal, Setscrew locking



Unit No.	Shaft Dia		Dimensions(mm)										Bolt Size (mm)	Weight (kg)
	d		H	J	A ₂	A ₁	A	N	L	B	S	Z		
	(in)	(mm)												
TP-SUCFL201 201-8	1/2	12	113	90	15.4	14	26.5	11	65	31	12.7	33.7	M10	0.25
TP-SUCFL202 202-9 202-10	9/16 5/8	15	113	90	15.4	14	26.5	11	65	31	12.7	33.7	M10	0.25
TP-SUCFL203 203-11	11/16	17	113	90	15.4	14	26.5	11	65	31	12.7	33.7	M10	0.25
TP-SUCFL204 204-12	3/4	20	113	90	15.4	14	26.5	11	65	31	12.7	33.7	M10	0.25
TP-SUCFL205 205-14 205-15 205-16	7/8 15/16 1	25	131	99	17	14	29	11	69	34.1	14.3	36.7	M10	0.32
TP-SUCFL206 206-17 206-18 206-19 206-20	1-1/16 1-1/8 1-3/16 1-1/4	30	148	117	19	14	31	11	80	38.1	15.9	41.2	M10	0.5
TP-SUCFL207 207-20 207-21 207-22 207-23	1-1/4 1-5/16 1-3/8 1-7/16	35	166	130	18	16	32	13	92	42.9	17.5	43.4	M12	0.7
TP-SUCFL208 208-24 208-25	1-1/2 1-9/16	40	176	144	21.5	20	37.5	14	101	49.2	19	51.7	M12	0.89
TP-SUCFL209 209-26 209-27 209-28	1-5/8 1-11/16 1-3/4	45	189	148.5	24	21	41	17	108	49.2	19	54.2	M16	1.01
TP-SUCFL210 210-30 210-31 210-32	1-7/8 1-15/16 2	50	197	157	25	21	43	17	116	51.6	19	57.6	M16	1.13
TP-SUCFL211 211-32 211-34 211-35	2 2-1/8 2-3/16	55	224	184	25	20	43	17	130	55.6	22.2	58.1	M16	1.5
TP-SUCFL212 212-36 212-38 212-39	2-1/4 2-3/8 2-7/16	60	250	202	29	20	48	18	140	65.1	25.4	68.7	M16	2.1

MODE OF LOAD	BREAKING POINT OF HOUSINGS(N)									
	204	205	206	207	208	209	210	211	212	
	10872	12554	18224	16900	17213	17600	17950	18300	18700	
	10590	15093	16826	14900	15150	15350	15650	15900	16250	
	5150	5310	5630	6000	6510	6940	7590	8250	8950	

Notes: Anti-Bacteria Protection Series is available by adding prefix "AB" as designation. Ordering example: ABTP-SUCFL204