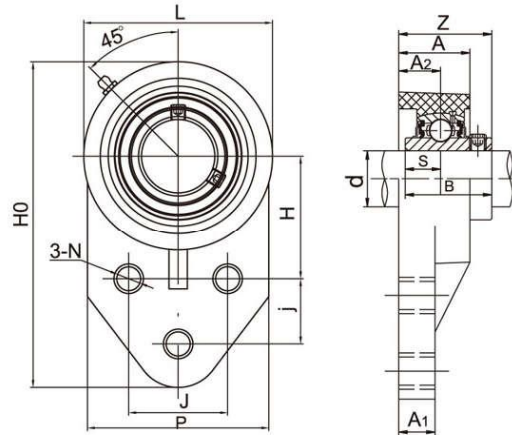


Thermoplastic Housed Units **LDK**[®]

TP-SUCFB Thermoplastic flange bracket, Stainless steel inserts, With food grade grease and silicon rubber seal, Setscrew locking



Unit No.	Shaft Dia		Dimensions(mm)													Bolt Size (mm)	Weight (kg)
	d		H ₀	H	J	j	A ₂	A ₁	A	N	L	P	B	S	Z		
	(in)	(mm)															
TP-SUCFB201 201-8	1/2	12	108	42.9	38.1	22.2	19.7	11.4	31.2	11	63	62	31	12.7	38	M10	0.28
TP-SUCFB202 202-9 202-10	9/16 5/8	15	108	42.9	38.1	22.2	19.7	11.4	31.2	11	63	62	31	12.7	38	M10	0.26
TP-SUCFB203 203-11	11/16	17	108	42.9	38.1	22.2	19.7	11.4	31.2	11	63	62	31	12.7	38	M10	0.25
TP-SUCFB204 204-12	3/4	20	108	42.9	38.1	22.2	19.7	11.4	31.2	11	63	62	31	12.7	38	M10	0.25
TP-SUCFB205 205-14 205-15 205-16	7/8 15/16 1	25	121	46	41.3	28.6	21.3	12.3	33	11	70	63	34.1	14.3	41.1	M10	0.30
TP-SUCFB206 206-17 206-18 206-19 206-20	1-1/16 1-1/8 1-3/16 1-1/4	30	139	52.4	47.6	31.8	22.9	14.5	35.4	11	83	76	38.1	15.9	47.6	M10	0.46
TP-SUCFB207 207-20 207-21 207-22 207-23	1-1/4 1-5/16 1-3/8 1-7/16	35	158	60.3	50.8	31.8	24.5	17	37.5	13	94	89	42.9	17.5	50.8	M12	0.66
TP-SUCFB208 208-24 208-25	1-1/2 1-9/16	40	178	67.3	54	35.5	26	18.5	39.5	13	103	99	49.2	19	54	M12	0.9

MODE OF LOAD	BREAKING POINT OF HOUSINGS(N)				
	204	205	206	207	208
	7200	9100	12200	12900	13600
	9200	11100	11800	11900	12100
	2600	2800	2900	3100	3300

Notes: Anti-Bacteria Protection Series is available by adding prefix "AB" as designation. Ordering example: ABTP-SUCFB204