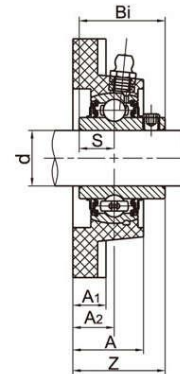
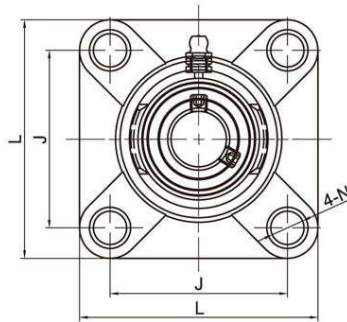


Thermoplastic Housed Units **LDK**[®]

**TP-SUCF Thermoplastic flange 4-bolt,Solid base housing,Stainless steel inserts,
With food grade grease and silicon rubber seal,Setscrew locking**



Unit No.	Shaft Dia		Dimensions(mm)										Bolt Size (mm)	Weight (kg)
	d		L	J	A ₂	A ₁	A	N	B	S	Z			
	(in)	(mm)												
TP-SUCF201 201-8	1/2	12	86	63.5	18	13.4	27.8	11	31	12.7	36.3	M10	0.29	
TP-SUCF202 202-9 202-10	9/16 5/8	15	86	63.5	18	13.4	27.8	11	31	12.7	36.3	M10	0.29	
TP-SUCF203 203-11	11/16	17	86	63.5	18	13.4	27.8	11	31	12.7	36.3	M10	0.29	
TP-SUCF204 204-12	3/4	20	86	63.5	18	13.4	27.8	11	31	12.7	36.3	M10	0.29	
TP-SUCF205 205-14 205-15 205-16	7/8 15/16 1	25	95	70	17	14	28	11	34.1	14.3	36.7	M10	0.32	
TP-SUCF206 206-17 206-18 206-19 206-20	1-1/16 1-1/8 1-3/16 1-1/4	30	108	83	19.2	14.3	31.5	11	38.1	15.9	41.4	M10	0.54	
TP-SUCF207 207-20 207-21 207-22 207-23	1-1/4 1-5/16 1-3/8 1-7/16	35	118	92	21.5	15.5	34.8	13	42.9	17.5	46.9	M12	0.75	
TP-SUCF208 208-24 208-25	1-1/2 1-9/16	40	130	102	23	18	37.5	14	49.2	19	53.2	M12	0.99	
TP-SUCF209 209-26 209-27 209-28	1-5/8 1-11/16 1-3/4	45	137	105	24	19	41	17	49.2	19	54.2	M16	1.12	
TP-SUCF210 210-30 210-31 210-32	1-7/8 1-15/16 2	50	143	111	25	21	43	17	51.6	19	57.6	M16	1.24	
TP-SUCF211 211-32 211-34 211-35	2 2-1/8 2-3/16	55	162	130	25	20	43	17	55.6	22.2	58.4	M16	1.58	
TP-SUCF212 212-36 212-38 212-39	2-1/4 2-3/8 2-7/16	60	175	143	29	19	48	17	65.1	25.4	68.7	M16	2.1	

MODE OF LOAD	BREAKING POINT OF HOUSINGS(N)									
	204	205	206	207	208	209	210	210	210	210
	15950	16000	18000	18500	19100	19350	19650	21550	22600	
	10250	12150	17700	18500	19250	19350	19650	21500	21900	
	4670	6590	7250	7910	8520	9010	9600	9700	9800	

Notes:Anti-Bacteria Protection Series is available by adding prefix"AB" as designation.Ordering example:ABTP-SUCF204