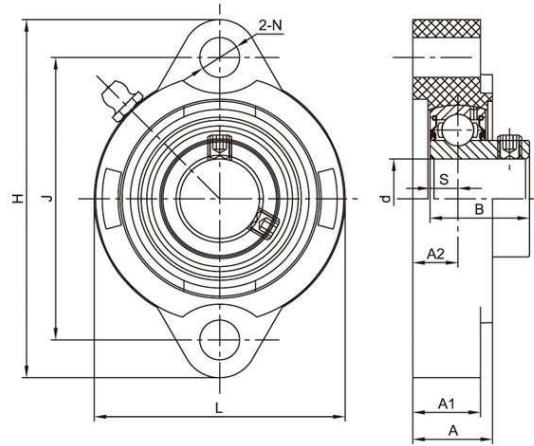


# Thermoplastic Housed Units **LDK**<sup>®</sup>

**TP-SSBLF** Thermoplastic flange 2-bolt, Stainless steel inserts, With food grade grease and silicon rubber seal, Setscrew locking



Unit No.	Shaft Dia		Dimensions(mm)									Weight (kg)
	d		H	J	L	A <sub>1</sub>	A	N	A <sub>2</sub>	B	S	
	(in)	(mm)										
TP-SSBLF203 203-11	11/16	17	81	63.5	56	16	18	9	9.5	22	6	0.18
TP-SSBLF204 204-12	3/4	20	90.5	71.4	66.5	18.4	20	9	9.5	25	7	0.17
TP-SSBLF205 205-13 205-14 205-15 205-16	13/16 7/8 15/16 1	25	97	76.2	71	18.4	21.2	9	10	27	7.5	0.26
TP-SSBLF206 206-17 206-18 206-19 206-20	1-1/16 1-1/8 1-3/16 1-1/4	30	112.5	90.5	84	20.5	23.3	11	11.5	30	8	0.36
TP-SSBLF207 207-20 207-21 207-22 207-23	1-1/4 1-5/16 1-3/8 1-7/16	35	126	100	94	22.5	25.3	11	12.5	32	8.5	0.56
TP-SSBLF208 208-24 208-25	1-1/2 1-9/16	40	150	119	100	24	26.8	14	13.5	34	9	0.78

Notes: Anti-Bacteria Protection Series is available by adding prefix "AB" as designation. Ordering example: ABTP-SSBLF204