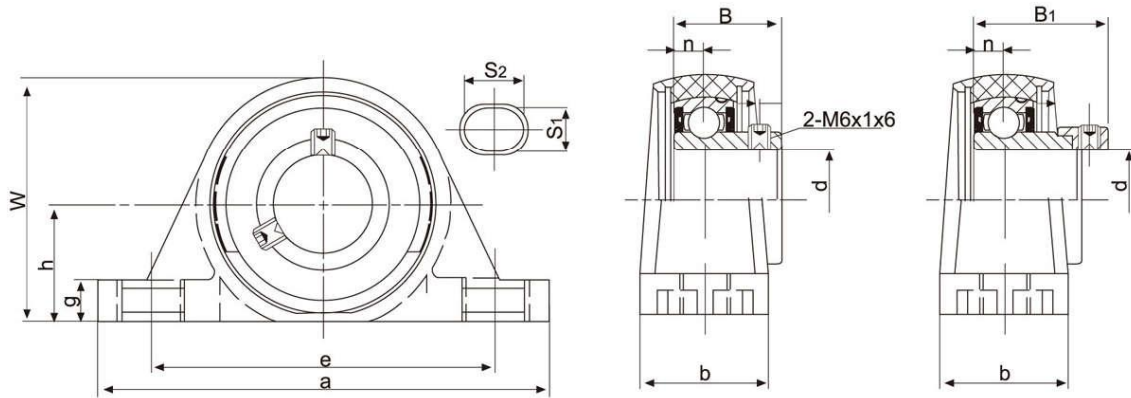


# LDK<sup>®</sup> Thermoplastic Housed Units

TP-SBPY/TP-SAPY Thermoplastic pillow blocks, Chrome or Stainless steel inserts, Narrow inner ring, Setscrew/Eccentric locking



TP-SAPY205



TP-SBPY205

Unit No	Shaft d(mm)	Dimensions(mm)											Bolt Size	Housing No.	Bearing No.	Housing Weight (kg)
		h	a	e	b	S <sub>1</sub>	S <sub>2</sub>	g	w	B <sub>1</sub>	B	n				
TP-SBPY205-16	1"	29	114	87	32	11	15	10	61	-	27	7.5	3/8	PY205	SB205-16	0.065
TP-SSBPY205-16	1"	29	114	87	32	11	15	10	61	-	27	7.5	3/8	PY205	SSB205-16	0.065
TP-SAPY205-16	1"	29	114	87	32	11	15	10	61	31.5	-	7.5	3/8	PY205	SA205-16	0.065
TP-SSAPY205-16	1"	29	114	87	32	11	15	10	61	31.5	-	7.5	3/8	PY205	SSA205-16	0.065

Notes: Anti-Bacteria Protection Series is available by adding prefix "AB" as designation. Ordering example: ABTP-SSBPY205-16