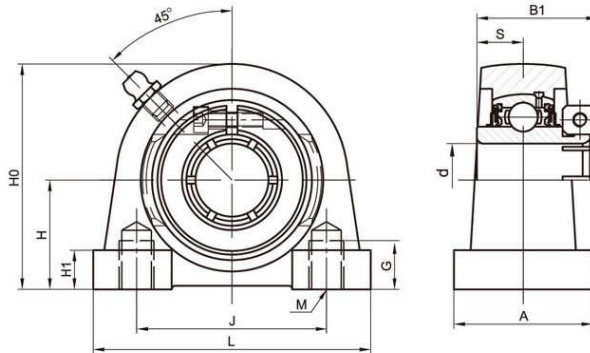


LDK[®] Tapped Base Pillow Blocks

UEPA Standard duty, Wider inner ring bearing, Concentric locking



Unit No.	Shaft Dia		Dimensions(mm)										Bolt Size (mm)	Weight (kg)
	d		H	L	J	A	G	H ₁	H ₀	M	B ₁	S		
	(in)	(mm)												
UEPA204 204-12	3/4	20	30.2	76	52	38	13	11	62	M10	33.0	12.7	M10	0.65
UEPA205 205-14 205-15 205-16	7/8 15/16 1	25	36.5	84	56	38	15	12	72	M10	35.4	14.3	M10	0.85
UEPA206 206-17 206-18 206-19 206-20	1-1/16 1-1/8 1-3/16 1-1/4	30	42.9	94	66	48	18	12	84	M14	39.8	15.9	M14	1.30
UEPA207 207-20 207-21 207-22 207-23	1-1/4 1-5/16 1-3/8 1-7/16	35	47.6	110	80	48	20	13	95	M14	43.9	17.5	M14	1.70
UEPA208 208-24 208-25	1-1/2 1-9/16	40	49.2	116	84	54	20	13	100	M14	50.2	19.0	M14	2.12
UEPA209 209-26 209-27 209-28	1-5/8 1-11/16 1-3/4	45	54.2	120	90	54	25	13	108	M14	50.2	19.0	M14	2.54
UEPA210 210-30 210-31 210-32	1-7/8 1-15/16 2	50	57.2	130	94	60	25	14	116	M16	52.6	19.0	M16	3.25
UEPA211 211-32 211-34 211-35	2 2-1/8 2-3/16	55	63.5	140	104	66	25	14	125	M16	56.6	22.2	M16	3.63
UEPA212 212-36 212-38 212-39	2-1/4 2-3/8 2-7/16	60	69.9	150	114	68	25	17	138	M16	66.6	25.4	M16	4.7