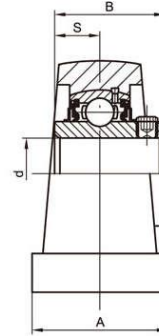
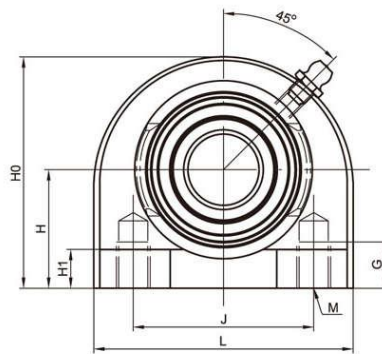


# Tapped Base Pillow Blocks **LDK**<sup>®</sup>

UCTB Standard duty,Wider inner ring bearing,Setscrew locking



Unit No.	Shaft Dia		Dimensions (mm)										Weight (kg)
	d		H	L	J	A	H1	H0	G	M	S	B	
	(in)	(mm)											
UCTB201 UCTB201-8	1/2	12	33.3	73	50.8	38	10.9	65	13	3/8-16UNC	12.7	31	0.77
UCTB202 UCTB202-9 UCTB202-10	9/16 5/8	15	33.3	73	50.8	38	10.9	65	13	3/8-16UNC	12.7	31	0.75
UCTB203 UCTB203-11	11/16	17	33.3	73	50.8	38	10.9	65	13	3/8-16UNC	12.7	31	0.74
UCTB204 UCTB204-12	3/4	20	33.3	73	50.8	38	10.9	65	13	3/8-16UNC	12.7	31	0.73
UCTB205 UCTB205-14 UCTB205-15 UCTB205-16	7/8 15/16 1	25	36.5	76	50.8	38	12	71	13	3/8-16UNC	14.3	34.1	0.83
UCTB206 UCTB206-17 UCTB206-18 UCTB206-19 UCTB206-20	1-1/16 1-1/8 1-3/16 1-1/4	30	42.9	102	76.2	38	12	86	16	7/16-14UNC	15.9	38.1	1.36
UCTB207 UCTB207-20 UCTB207-21 UCTB207-22 UCTB207-23	1-1/4 1-5/16 1-3/8 1-7/16	35	47.6	108	82.6	48	13	95	19	1/2-13UNC	17.5	42.9	1.83
UCTB208 UCTB208-24 UCTB208-25	1-1/2 1-9/16	40	49.2	117	88.9	48	13	100	19	1/2-13UNC	19	49.2	2.13
UCTB209 UCTB209-26 UCTB209-27 UCTB209-28	1-5/8 1-11/16 1-3/4	45	54	127	95.3	51	14	108	20	1/2-13UNC	19	49.2	2.75
UCTB210 UCTB210-30 UCTB210-31 UCTB210-32	1-7/8 1-15/16 2	50	57.2	140	101.6	51	14	117	22	5/8-11UNC	19	51.9	3.08
UCTB211 UCTB211-32 UCTB211-34 UCTB211-35	2 2-1/8 2-3/16	55	57.2	140	101.6	51	14	117.5	22	5/8-11UNC	22.2	55.6	3.37