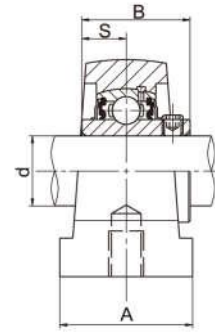
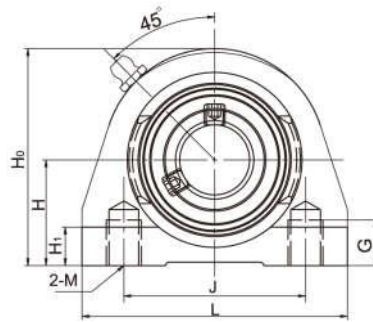


# Tapped Base Pillow BLocks **LDK**<sup>®</sup>

UCPW Standard duty,Wider inner ring bearing,Setscrew locking



Unit No.	Shaft Dia		Dimensions (mm)										Bolt Size (mm)	Weight (kg)
	d		H	L	J	A	M	G	H <sub>0</sub>	H <sub>1</sub>	B	S		
	(in)	(mm)												
UCPW201 201-8	1/2	12	33.3	65	50.8	32	M8	13	64	13	31	12.7	M8	0.8
UCPW202 202-9 202-10	9/16 5/8	15	33.3	65	50.8	32	M8	13	64	13	31	12.7	M8	0.79
UCPW203 203-11	11/16	17	33.3	65	50.8	32	M8	13	64	13	31	12.7	M8	0.77
UCPW204 204-12	3/4	20	33.3	65	50.8	32	M8	13	64	13	31	12.7	M8	0.76
UCPW205 205-14 205-15 205-16	7/8 15/16 1	25	36.5	70	50.8	36	M10	13	70	13	34.1	14.3	M10	0.91
UCPW206 206-17 206-18 206-19 206-20	1-1/16 1-1/8 1-3/16 1-1/4	30	42.9	98	76.2	38	M10	16	82	15	38.1	15.9	M10	1.42
UCPW207 207-20 207-21 207-22 207-23	1-1/4 1-5/16 1-3/8 1-7/16	35	47.6	103	82.6	45	M10	19	93	15	42.9	17.5	M10	1.91
UCPW208 208-24 208-25	1-1/2 1-9/16	40	49.2	116	88.9	48	M12	19	99	15	49.2	19	M12	2.28
UCPW209 209-26 209-27 209-28	1-5/8 1-11/16 1-3/4	45	53.9	120	95.3	48	M12	19	107	18	49.2	19	M12	2.61
UCPW210 210-30 210-31 210-32	1-7/8 1-15/16 2	50	57.2	135	101.6	54	M16	22	115	18	51.6	19	M16	3.28