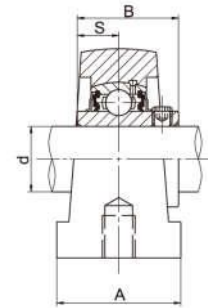
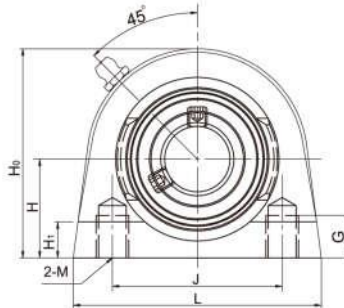


LDK[®] Tapped Base Pillow BLocks

UCPG Standard duty, Wider inner ring bearing, Setscrew locking



Unit No.	Shaft Dia		Dimensions (mm)										Bolt Size (mm)	Weight (kg)
	d		H	L	J	A	M	G	H ₁	H ₀	B	S		
	(in)	(mm)												
UCPG201 201-8	1/2	12	33.3	70	49	38	M8	14	11	64	31	12.7	M8	0.8
UCPG202 UCPG202-9 UCPG202-10	9/16 5/8	15	33.3	70	49	38	M8	14	11	64	31	12.7	M8	0.79
UCPG203 UCPG203-11	11/16	17	33.3	70	49	38	M8	14	11	64	31	12.7	M8	0.77
UCPG204 UCPG204-12	3/4	20	33.3	70	49	38	M8	14	11	64	31	12.7	M8	0.76
UCPG205 UCPG205-14 UCPG205-15 UCPG205-16	7/8 15/16 1	25	36.5	75	50	38	M10	15	13	70	34.1	14.3	M10	0.91
UCPG206 UCPG206-17 UCPG206-18 UCPG206-19 UCPG206-20	1-1/16 1-1/8 1-3/16 1-1/4	30	42.9	85	60	48	M10	17	13	84	38.1	15.9	M10	1.42
UCPG207 UCPG207-20 UCPG207-21 UCPG207-22 UCPG207-23	1-1/4 1-5/16 1-3/8 1-7/16	35	47.6	100	68	48	M12	17	13	93	42.9	17.5	M12	1.91
UCPG208 UCPG208-24 UCPG208-25	1-1/2 1-9/16	40	49.2	110	78	54	M12	20	14	98	49.2	19	M12	2.28
UCPG209 UCPG209-26 UCPG209-27 UCPG209-28	1-5/8 1-11/16 1-3/4	45	53.9	120	85	54	M12	20	14	106	49.2	19	M12	2.61
UCPG210 UCPG210-30 UCPG210-31 UCPG210-32	1-7/8 1-15/16 2	50	57.2	135	95	60	M16	21	14	114	51.6	19	M16	3.28