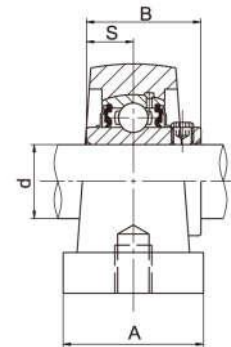
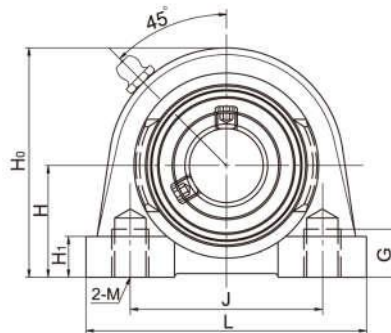


Tapped Base Pillow Blocks **LDK**[®]

UCPA Standard duty, Wider inner ring bearing, Setscrew locking



Unit No.	Shaft Dia		Dimensions(mm)										Bolt Size (mm)	Weight (kg)	
	d		H	L	J	A	G	H ₁	H ₀	M	B	S			
	(in)	(mm)													
UCWPA201		12													0.67
202		15	30.2	71	48	36	9	10	57	M10	27.4	11.5	M10	0.63	
203		17												0.62	
UCPA201		12													
201-8	1/2		30.2	76	52	38	13	11	62	M10	31.0	12.7	M10	0.67	
UCPA202		15													
202-9	9/16		30.2	76	52	38	13	11	62	M10	31.0	12.7	M10	0.63	
202-10	5/8														
UCPA203		17													
203-11	11/16		30.2	76	52	38	13	11	62	M10	31.0	12.7	M10	0.62	
UCPA204		20													
204-12	3/4		30.2	76	52	38	13	11	62	M10	31.0	12.7	M10	0.60	
UCPA205		25													
205-14	7/8		36.5	84	56	38	15	12	72	M10	34.1	14.3	M10	0.81	
205-15	15/16														
205-16	1														
UCPA206		30													
206-17	1-1/16														
206-18	1-1/8		42.9	94	66	48	18	12	84	M14	38.1	15.9	M14	1.20	
206-19	1-3/16														
206-20	1-1/4														
UCPA207		35													
207-20	1-1/4														
207-21	1-5/16		47.6	110	80	48	20	13	95	M14	42.9	17.5	M14	1.70	
207-22	1-3/8														
207-23	1-7/16														
UCPA208		40													
208-24	1-1/2		49.2	116	84	54	20	13	100	M14	49.2	19.0	M14	1.90	
208-25	1-9/16														
UCPA209		45													
209-26	1-5/8		54.2	120	90	54	25	13	108	M14	49.2	19.0	M14	2.20	
209-27	1-11/16														
209-28	1-3/4														
UCPA210		50													
210-30	1-7/8		57.2	130	94	60	25	14	116	M16	51.6	19.0	M16	2.60	
210-31	1-15/16														
210-32	2														
UCPA211		55													
211-32	2		63.5	140	104	66	25	14	125	M16	55.6	22.2	M16	3.00	
211-34	2-1/8														
211-35	2-3/16														
UCPA212		60													
212-36	2-1/4		69.9	150	114	68	25	17	138	M16	65.1	25.4	M16	4.24	
212-38	2-3/8														
212-39	2-7/16														