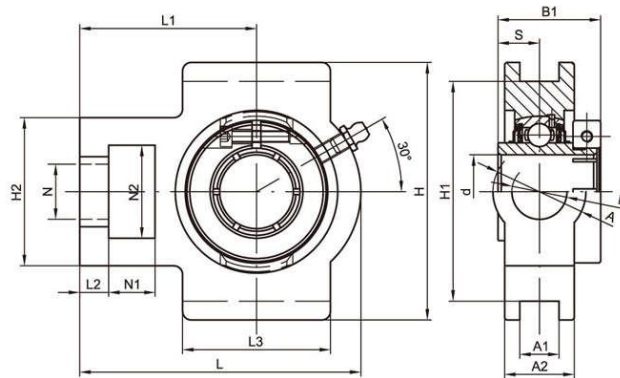


Take Up Units **LDK**[®]

UET Standard duty,Wider inner ring bearing, Concentric locking



Unit No.	Shaft Dia		Dimensions(mm)															Weight (kg)
	d		N ₁	L ₂	H ₂	N ₂	N	L ₃	A ₁	H ₁	H	L	A	A ₂	L ₁	B ₁	S	
	(in)	(mm)																
UET204 204-12	3/4	20	16	10	51	32	19	51	12	76	89	94	32	21	61	33.0	12.7	0.93
UET205 205-14 205-15 205-16	7/8 15/16 1	25	16	10	51	32	19	51	12	76	89	97	32	24	62	35.4	14.3	0.96
UET206 206-17 206-18 206-19 206-20	1-1/16 1-1/8 1-3/16 1-1/4	30	16	10	56	37	22	57	12	89	102	113	37	28	70	39.8	15.9	1.40
UET207 207-20 207-21 207-22 207-23	1-1/4 1-5/16 1-3/8 1-7/16	35	16	13	64	37	22	64	12	89	102	129	37	30	78	43.9	17.5	1.79
UET208 208-24 208-25	1-1/2 1-9/16	40	19	16	83	49	29	83	16	102	114	144	49	33	88	50.2	19	2.76
UET209 209-26 209-27 209-28	1-5/8 1-11/16 1-3/4	45	19	16	83	49	29	83	16	102	117	144	49	35	87	50.2	19	2.88
UET210 210-30 210-31 210-32	1-7/8 1-15/16 2	50	19	16	83	49	29	86	16	102	117	149	49	37	90	52.6	19	2.86
UET211 211-32 211-34 211-35	2 2-1/8 2-3/16	55	25	19	102	64	35	95	22	130	146	171	64	38	106	56.6	22.2	4.52
UET212 212-36 212-38 212-39	2-1/4 2-3/8 2-7/16	60	32	19	102	64	35	102	22	130	146	194	64	42	119	66.6	25.4	5.41