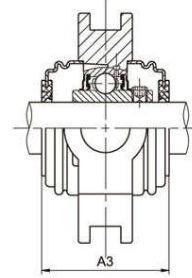
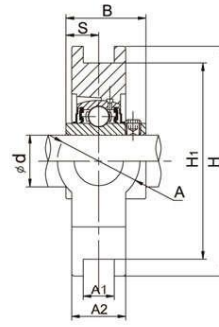
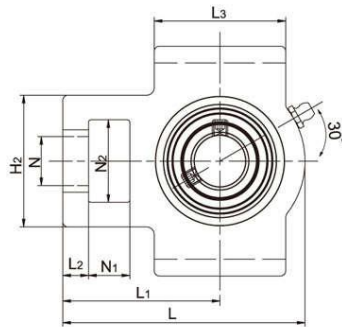


UCT Standard duty,Wider inner ring bearing,Setscrew locking



Unit No.	Shaft Dia		Dimensions(mm)														Weight (kg)		
	d		N ₁	L ₂	H ₂	N ₂	N	L ₃	A ₁	H ₁	H	L	A	A ₂	L ₁	B		S	A ₃
	(in)	(mm)																	
UCWT201 202 203		12 15 17	15	9	46	31	18	46	12	70	82	88	30	21	58	27.4	11.5	--	0.52
UCT201 201-8	1/2	12	16	10	51	32	19	51	12	76	89	94	32	21	61	31	12.7	--	0.80
UCT202 202-9 202-10	9/16 5/8	15	16	10	51	32	19	51	12	76	89	94	32	21	61	31	12.7	--	0.79
UCT203 203-11	11/16	17	16	10	51	32	19	51	12	76	89	94	32	21	61	31	12.7	--	0.78
UCT204 204-12	3/4	20	16	10	51	32	19	51	12	76	89	94	32	21	61	31	12.7	46.4	0.72
UCT205 205-14 205-15 205-16	7/8 15/16 1	25	16	10	51	32	19	51	12	76	89	97	32	24	62	34.1	14.3	48	0.8
UCT206 206-17 206-18 206-19 206-20	1-1/16 1-1/8 1-3/16 1-1/4	30	16	10	56	37	22	57	12	89	102	113	37	28	70	38.1	15.9	23	1.26
UCT207 207-20 207-21 207-22 207-23	1-1/4 1-5/16 1-3/8 1-7/16	35	16	13	64	37	22	64	12	89	102	129	37	30	78	42.9	17.5	59	1.68
UCT208 208-24 208-25	1-1/2 1-9/16	40	19	16	83	49	29	83	16	102	114	144	49	33	88	49.2	19	68.2	2.28
UCT209 209-26 209-27 209-28	1-5/8 1-11/16 1-3/4	45	19	16	83	49	29	83	16	102	117	144	49	35	87	49.2	19	70	2.52
UCT210 210-30 210-31 210-32	1-7/8 1-15/16 2	50	19	16	83	49	29	86	16	102	117	149	49	37	90	51.6	19	76	2.75
UCT211 211-32 211-34 211-35	2 2-1/8 2-3/16	55	25	19	102	64	35	95	22	130	146	171	64	38	106	55.6	22.2	76	4.1
UCT212 212-36 212-38 212-39	2-1/4 2-3/8 2-7/16	60	32	19	102	64	35	102	22	130	146	194	64	42	119	65.1	25.4	89	4.9
UCT213 213-40	2-1/2	65	32	21	111	70	41	121	26	151	167	224	70	44	137	65.1	25.4	89	6.7
UCT214 214-44	2-3/4	70	32	21	111	70	41	121	26	151	167	224	70	46	137	74.6	30.2	98	6.9
UCT215 215-47 215-48	2-15/16 3	75	32	21	111	70	41	121	26	151	167	232	70	48	140	77.8	33.3	97	7.4
UCT216		80	32	21	111	70	41	121	26	165	184	235	70	51	140	82.6	33.3	110	8.1
UCT217 217-52	3-1/4	85	38	29	124	73	48	157	30	173	198	260	73	54	162	85.7	34.1	114.2	11
UCT218 218-56	3-1/4	90	40	30	130	80	48	140	30	190	215	275	80	55	170	96	39.7	--	12.2

Notes: 1. Upon request, pressed steel covers available at both ends. S=Open cap, SM=Close cap. Ordering example: UCT205+SM.