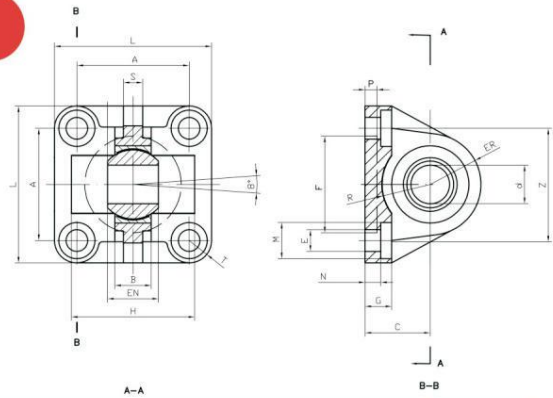


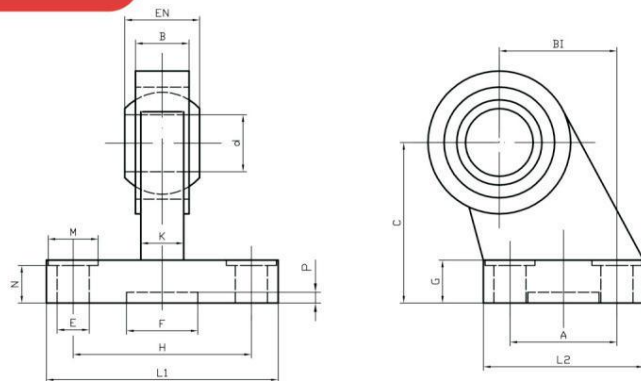
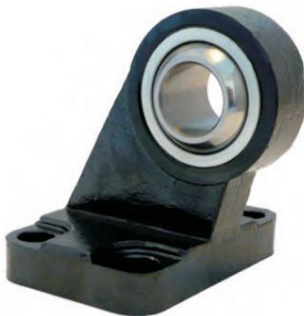
SWIVEL HINGE (SWIVEL FLANGE)

MP6 Male Hinge DIN648K



Bearing NO.	Dimensions (mm)																		Weight ≈kg
	d _{H7}	A ±0.2	B _{max}	C _{JS15}	EN	ER _{max}	F _{H11}	G	E _{H13}	L	M _{H13}	N ±0.5	P	H ±0.5	R ±0.5	S	Z	T	
MP6-32	10	32.5	10.5	22	14	16	30	9	6.6	45	11	5.5	5	-	-	4	32.5	6.25	0.062
MP6-40	12	38	12	25	16	19	35	9	6.6	52	11	5.5	5	-	-	6	39	7	0.100
MP6-50	16	46.5	15	27	21	21	40	11	9	65	15	6.5	5	51	18	8	47	9.25	0.180
MP6-63	16	56.5	15	32	21	24	45	11	9	75	15	6.5	5	-	-	8	52	9.25	0.244
MP6-80	20	72	18	36	25	28.5	45	14	11	95	18	10	5	72	24	10	67	11.5	0.476
MP6-100	20	89	18	41	25	30	55	14	11	115	18	10	5	-	-	10	77	13	0.646
MP6-125	30	110	25	50	37	40	60	20	13.5	140	20	10	7	-	-	13	98	13	1.410
MP6-160	35	140	28	55	43	45	65	20	18	180	26	10	7	-	-	14	130	20	2.420
MP6-200	35	175	28	60	43	48	75	25	18	220	26	11	7	-	-	14	155	22.5	3.840

MP8 Square Joint DIN648K



Bearing NO.	Dimensions (mm)																Weight ≈kg	
	d _{H7}	A _{JS14}	B _{max}	C _{JS15}	EN	ER _{max}	F _{H13}	G	E _{H13}	L1	M _{H13}	N _{0-+0.5}	P	L2 _{max}	B1 _{JS15}	H _{JS15}		K
MP8-32	10	18	10.5	32	14	15	20	10	6.6	51	11	8.5	3	31	21	38	8.5	0.178
MP8-40	12	22	12	36	16	18	20	10	6.6	54	11	8.5	3	35	24	41	10	0.268
MP8-50	16	30	15	45	21	20	20	12	9	65	15	10.5	3	45	33	50	12	0.458
MP8-63	16	35	15	50	21	23	20	12	9	67	15	10.5	3	50	37	52	12	0.550
MP8-80	20	40	18	63	25	27	20	14	11	86	18	11.5	3	60	47	66	14.5	0.970
MP8-100	20	50	18	71	25	30	20	15	11	96	18	12.5	3	70	55	76	14.5	1.326
MP8-125	30	60	25	90	37	40	20	20	13.5	124	20	17	3	90	70	94	20	3.000