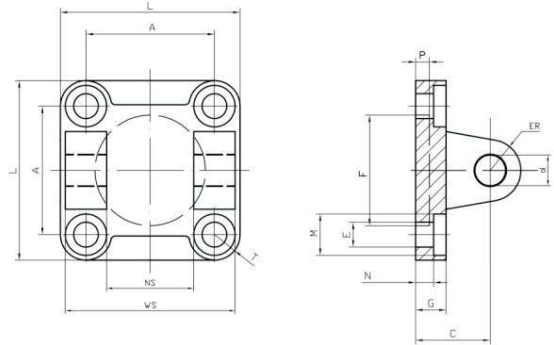


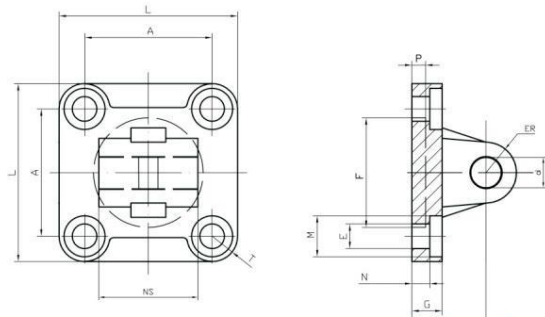
# SWIVEL HINGE (SWIVEL FLANGE)

## MP2 Female Hinge



Bearing NO.	Dimensions (mm)														Weight ≈kg
	d <sub>H9</sub>	A <sub>±0.2</sub>	C <sub>±0.2</sub>	NS <sub>H14</sub>	WS <sub>H14</sub>	ER <sub>max</sub>	F <sub>H11</sub>	G <sub>±0.5</sub>	E <sub>H14</sub>	L	M <sub>H14</sub>	N <sub>±0.5</sub>	P <sub>+0.5</sub>	T	
MP2-32	10	32.5	22	26	45	10	30	9	6.6	45	11	5.5	5	6.25	0.048
MP2-40	12	38	25	28	52	12	35	9	6.6	52	11	5.5	5	8.5	0.074
MP2-50	12	46.5	27	32	60	12	40	11	9	65	15	6.5	5	9.25	0.122
MP2-63	16	56.5	32	40	70	16	45	11	9	75	15	6.5	5	9.25	0.190
MP2-80	16	72	36	50	90	16	45	14	11	95	18	10	5	11.5	0.386
MP2-100	20	89	41	60	110	20	55	14	11	115	18	10	5	13	0.632
MP2-125	25	110	50	70	130	25	60	20	14	140	20	10	7	15	1.228
MP2-160	30	140	55	90	170	25	65	20	18	180	26	10	7	20	1.872
MP2-200	30	175	60	90	170	25	75	25	18	220	26	11	7	22.5	3.175

## MP4 Male Hinge



Bearing NO.	Dimensions (mm)														Weight ≈kg
	d <sub>H9</sub>	A <sub>±0.2</sub>	C <sub>±0.2</sub>	NS <sub>±0.2</sub>	ER <sub>max</sub>	F <sub>H11</sub>	G <sub>±0.5</sub>	E <sub>H14</sub>	L	M <sub>H14</sub>	N <sub>±0.5</sub>	P <sub>+0.5</sub>	T		
MP4-32	10	32.5	22	25.8	10	30	9	6.6	45	11	5.5	5	6.25	0.054	
MP4-40	12	38	25	27.8	12	35	9	6.6	52	11	5.5	5	8.5	0.082	
MP4-50	12	46.5	27	31.7	12	40	11	9	65	15	6.5	5	9.25	0.132	
MP4-63	16	56.5	32	39.7	16	45	11	9	75	15	6.5	5	9.25	0.214	
MP4-80	16	72	36	49.7	16	45	14	11	95	18	10	5	11.5	0.424	
MP4-100	20	89	41	59.7	20	55	14	11	115	18	10	5	13	0.689	
MP4-125	25	110	50	69.7	25	60	20	14	140	20	10	7	15	1.300	
MP4-160	30	140	55	89.7	25	65	20	18	180	26	10	7	20	1.950	
MP4-200	30	175	60	89.7	25	75	25	18	220	26	11	7	22.5	2.950	