

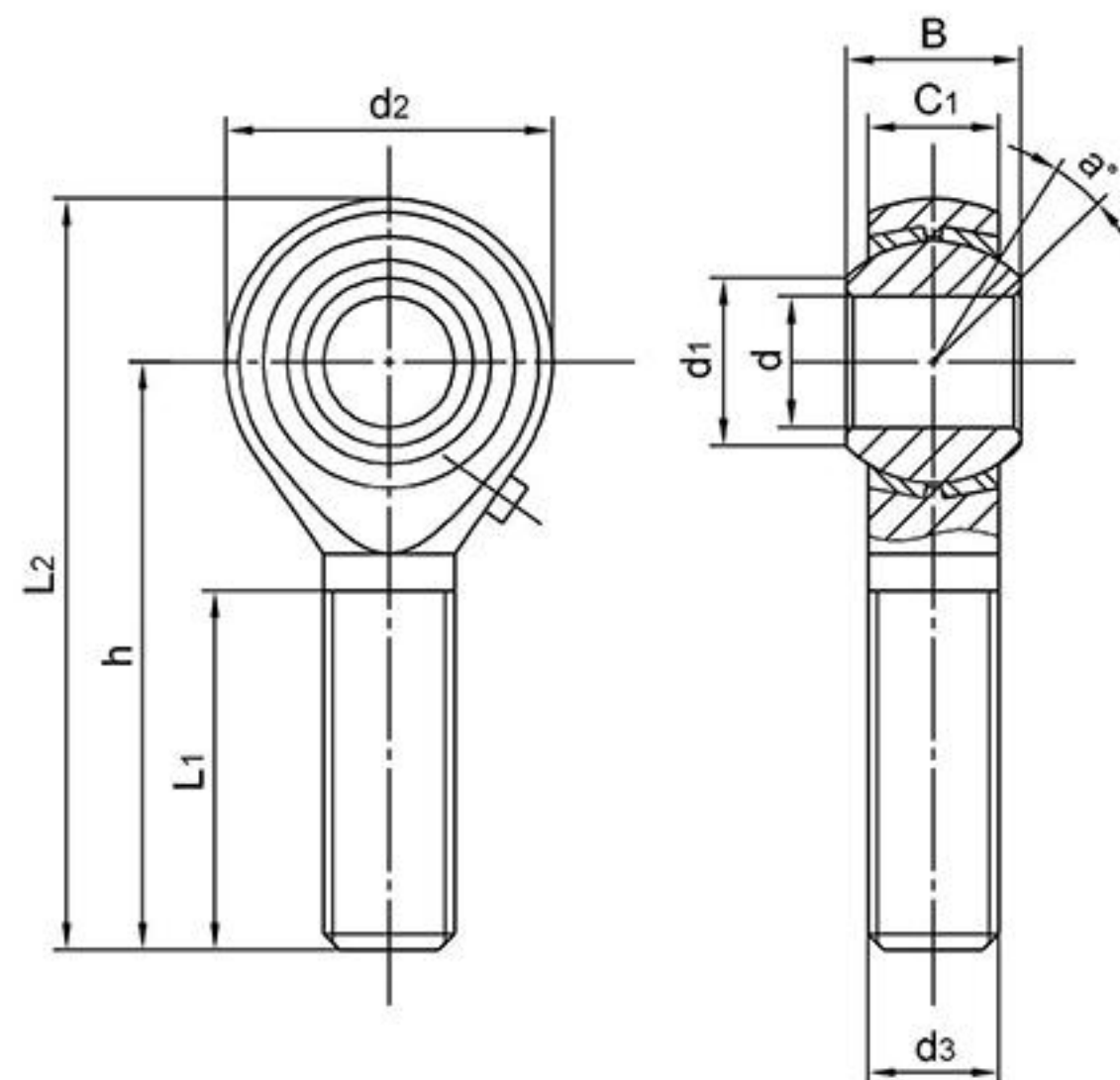
SPOS..

Ball: 440C stainless steel, heat treated HRC56min
Precision ground polished

Body: SUS304 Stainless steel

Race: Brass

Sliding contact surfaces: Steel/Brass



Bearing No.	Dimensions(mm)									Ball dia	a° mis. angle	Load ratings (KN)		weight ≈ Kg
	d _{H7}	B	C ₁	d ₁	d ₂	d _{3-6g}	h	L ₁	L ₂			Dynamic	Static	
SPOS5	5	8	6	7.7	16	M5	33	20	41	11.11	13	2.5	3.5	0.012
SPOS6	6	9	6.75	8.9	18	M6	36	22	45	12.7	13	3.2	4.8	0.019
SPOS8	8	12	9	10.3	22	M8	42	25	53	15.87	14	5.4	8.9	0.032
SPOS10	10	14	10.5	12.9	26	M10	48	29	61	19.05	13	7.5	12.5	0.054
SPOS12	12	16	12	15.4	30	M12	54	33	69	22.22	13	10	15.8	0.085
SPOS14	14	19	13.5	16.8	34	M14	60	36	77	25.4	16	13	22.1	0.126
SPOS15	15	20	14	18.1	36	M14	63	38	81	26.98	16	14.5	23.6	0.186
SPOS16	16	21	15	19.3	38	M16	66	40	85	28.58	15	16	25.9	0.185
SPOS17	17	22	16	20.6	40	M16x1.5	69	42	89	30.16	14	18	28.4	0.259
SPOS18	18	23	16.5	21.8	42	M18x1.5	72	44	93	31.75	15	19.5	30.8	0.260
SPOS20	20	25	18	24.3	46	M20x1.5	78	47	101	34.925	14	23	36.2	0.340
SPOS22	22	28	20	25.8	50	M22x1.5	84	51	109	38.1	15	29	42.6	0.435
SPOS25	25	31	22	29.5	60	M24x2	94	57	124	42.86	15	40.5	74.4	0.650
SPOS28	28	35	24	32.29	66	M27x2	103	62	136	47.63	15	46.1	88.7	0.875
SPOS30	30	37	25	34.8	70	M30x2	110	66	145	50.8	17	54.3	94.0	1.070

Can supply rod ends with different pitch or accuracy of thread.

For left-hand thread, suffix "L" is added to bearing numbers. eg.: SPOS20L M20 x 1.5L-6g: