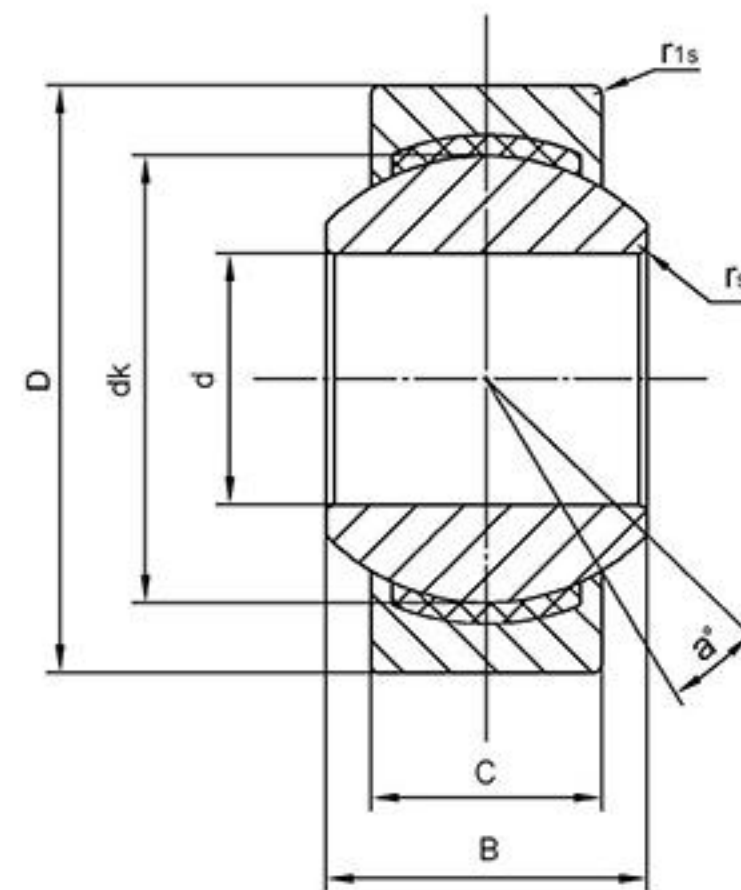


SGE..C

Ball: 440C Stainless steel, heat treated, precision ground

Outer Race: 304 Stainless steel, with PTFE composite.

Sliding contact surfaces: Steel/ PTFE composite.



Bearing No.	Dimensions(mm)							Load ratings KN		a° ≈	weight ≈ kg
	d	D	B	C	dk	r _{min} ^s	r _{min} ^{1s}	Dynamic	Static		
SGE4C	4	12	5	3	8	0.3	0.3	2.1	5.4	16	0.003
SGE5C	5	14	6	4	10	0.3	0.3	3.6	9.1	13	0.005
SGE6C	6	14	6	4	10	0.3	0.3	3.6	9.1	13	0.004
SGE8C	8	16	8	5	13	0.3	0.3	5.8	14	15	0.008
SGE10C	10	19	9	6	16	0.3	0.3	8.6	21	12	0.011
SGE12C	12	22	10	7	18	0.3	0.3	11	28	10	0.015
SGE15C	15	26	12	9	22	0.3	0.3	18	45	8	0.027
SGE17C	17	30	14	10	25	0.3	0.3	22	56	10	0.041
SGE20C	20	35	16	12	29	0.3	0.3	31	78	9	0.066
SGE25C	25	42	20	16	35.5	0.6	0.6	51	127	7	0.119
SGE30C	30	47	22	18	40.7	0.6	0.6	65	166	6	0.163