

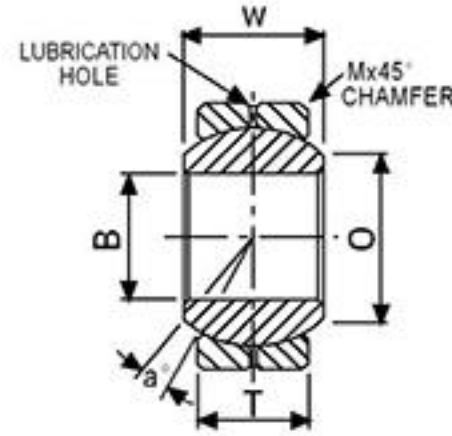
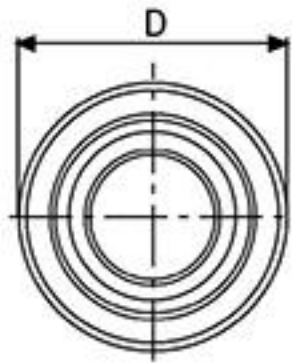
SCOM & SCOM..T

BALL

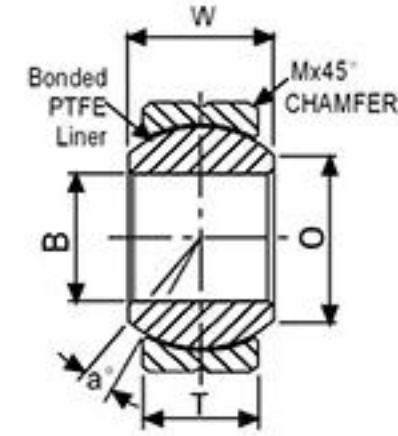
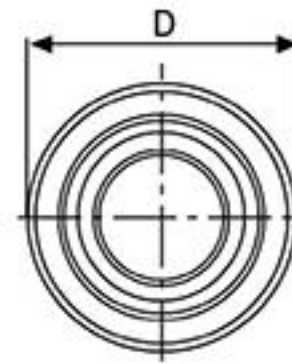
- 440C Stainless steel
- Heat treated
- Hard chrome plated
- Precision ground

RACE

- 300 Series stainless steel
- PTFE lined (COM-SST)



SCOM



SCOM..T

Bearing No.		DIMENSIONS IN INCHES								
Metal to Metal	B +.0015 -.0005	D +.0000 -.0007	T ±.005	W ±.005	O Shoulder. Dia. Ref.	M Chamfer Ref	Ball Dia. Ref.	Misalign. Angle a°	Ult. Raidal Static Load Lbs.	Approx. Brg. Wt. Lbs.
SCOM2	0.1650	0.4687	0.187	0.250	0.235	0.020	0.343	9.0	3,200	0.01
SCOM3	0.1900	0.5625	0.218	0.281	0.293	0.020	0.406	11.0	4,400	0.01
SCOM4	0.2500	0.6562	0.250	0.343	0.364	0.022	0.500	13.5	6,700	0.02
SCOM5	0.3125	0.7500	0.281	0.375	0.419	0.032	0.562	12.0	9,200	0.03
SCOM6	0.3750	0.8125	0.312	0.406	0.516	0.032	0.656	10.0	12,400	0.04
SCOM7	0.4375	0.9062	0.343	0.437	0.530	0.032	0.718	8.0	14,900	0.05
SCOM8	0.5000	1.0000	0.390	0.500	0.640	0.032	0.813	9.5	17,900	0.07
SCOM9	0.5625	1.0937	0.437	0.562	0.710	0.032	0.906	9.5	23,700	0.09
SCOM10	0.6250	1.1875	0.500	0.625	0.780	0.032	1.000	8.5	32,000	0.11
SCOM12	0.7500	1.4375	0.593	0.750	0.920	0.044	1.187	9.0	48,000	0.20
SCOM14	0.8750	1.5625	0.703	0.875	0.980	0.044	1.312	9.5	69,000	0.26
SCOM16	1.0000	1.7500	0.797	1.000	1.118	0.044	1.500	10.0	83,000	0.39

Bearing No.		DIMENSIONS IN INCHES								
PTFE Lined	B +.0015 -.0005	D +.0000 -.0007	T ±.005	W ±.005	O Shoulder. Dia. Ref.	M Chamfer Ref	Ball Dia. Ref.	Misalign. Angle a°	Ult. Raidal Static Load Lbs.	Approx. Brg. Wt. Lbs.
SCOM3T	0.1900	0.5625	0.218	0.281	0.293	0.020	0.406	11.0	4,400	0.01
SCOM4T	0.2500	0.6562	0.250	0.343	0.364	0.022	0.500	13.5	6,700	0.02
SCOM5T	0.3125	0.7500	0.281	0.375	0.419	0.032	0.562	12.0	9,200	0.03
SCOM6T	0.3750	0.8125	0.312	0.406	0.516	0.032	0.656	10.0	12,400	0.04
SCOM7T	0.4375	0.9062	0.343	0.437	0.530	0.032	0.718	8.0	14,900	0.05
SCOM8T	0.5000	1.0000	0.390	0.500	0.640	0.032	0.813	9.5	17,900	0.07
SCOM9T	0.5625	1.0937	0.437	0.562	0.710	0.032	0.906	9.5	23,700	0.09
SCOM10T	0.6250	1.1875	0.500	0.625	0.780	0.032	1.000	8.5	32,000	0.11
SCOM12T	0.7500	1.4375	0.593	0.750	0.920	0.044	1.187	9.0	48,000	0.20
SCOM14T	0.8750	1.5625	0.703	0.875	0.980	0.044	1.312	9.5	69,000	0.26
SCOM16T	1.0000	1.7500	0.797	1.000	1.118	0.044	1.500	10.0	83,000	0.39