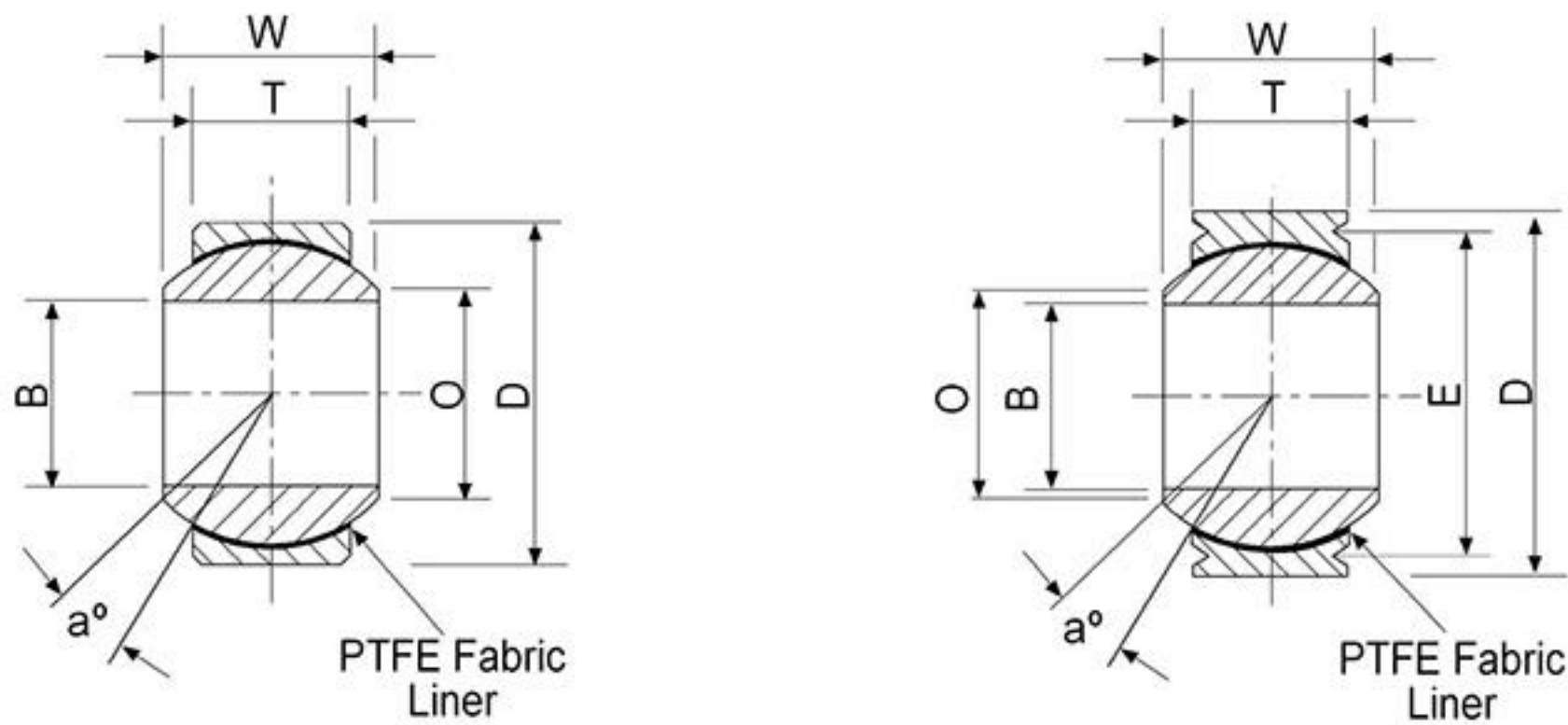


NSSB & NSSB..V



Bearing No.	B	D	W	T	E	O	REF	a°	Static Radial Limit Load (Pounds)	Static Axial Limit Load	Dynamic Oscillating Radial Load (Pounds)	Approx. Weight (Pounds)
	+ .0000 - .0005	+ .0000 - .0005	+ .000 - .005	± .005	+ .000 - .010	REF	REF	a°				
	Ball Bore	Outside Diameter	Ball Width	Race Width	"V" Groove Diameter	Ball Flat Diameter	Ball Diameter	Misalign Angle				
NSSB3 NSSB3V	.1900	.5625	.281	.218	.502	.293	.406	10	3,975	150	1,500	.020
NSSB4 NSSB4V	.2500	.6562	.343	.250	.596	.364	.500	10	6,040	430	2,320	.020
NSSB5 NSSB5V	.3125	.7500	.375	.281	.652	.419	.562	10	8,750	700	3,430	.030
NSSB6 NSSB6V	.3750	.8125	.406	.312	.714	.515	.656	9	10,540	1,100	4,200	.040
NSSB7 NSSB7V	.4375	.9062	.437	.343	.808	.570	.718	8	13,200	1,400	5,700	.050
NSSB8 NSSB8V	.5000	1.0000	.500	.390	.878	.641	.813	8	17,900	2,100	7,900	.070
NSSB10 NSSB10V	.6250	1.1875	.625	.500	1.065	.739	.968	8	30,500	4,720	13,400	.120
NSSB12 NSSB12V	.7500	1.4375	.750	.593	1.315	.920	1.187	8	46,400	6,750	19,700	.210
NSSB14 NSSB14V	.8750	1.5625	.875	.703	1.440	.978	1.312	8	62,200	9,350	26,100	.270
NSSB16 NSSB16V	1.0000	1.7500	1.000	.797	1.628	1.118	1.500	9	82,200	12,160	34,100	.390

Ball	Race	Liner
440c	17-4PH	Teflon Fabric
Stainless Steel	Stainless Steel	Permanently Bonded
Rc 56 Min.	Heat Treated	to Race I.D.

This series is also available with an optional 52100 heat treated and hard chrome plated ball. To specify this configuration use p/n NSBT(3-16) or NSBT(3-16)V in place of part numbers in table.