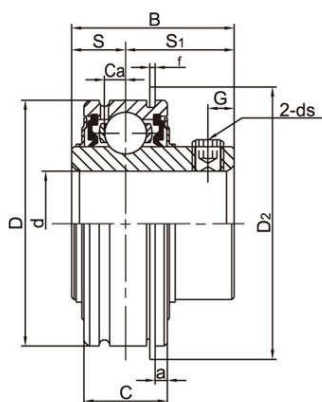


# LDK<sup>®</sup> Corrosion Resistant Bearing Inserts

SSER Standard duty, Stainless steel, With cylindrical outer ring and snap ring, Setscrew locking, Factory-Lubed with food grade grease and with silicon rubber seal.



SL TYPE SEAL



TJ TYPE SEAL

Bearing No.	Shaft Dia		Dimensions (mm)											Basic Load Rating KN		Weight (kg)	
	d		D	B	C	S	S <sub>1</sub>	a	r	D <sub>2</sub> (Max.)	G	ds		Ca	Dynamic Cr		Static Cor
	(in)	(mm)										(mm)	(in.UNF)				
SSER 201 201-8	1/2	12	47	31	15.9	11.5	19.5	2.46	1.07	52.7	5	M6X0.75	1/4-28	3.95	12.8	6.6	0.27
SSER 202 202-9 202-10	9/16 5/8	15	47	31	15.9	11.5	19.5	2.46	1.07	52.7	5	M6X0.75	1/4-28	3.95	12.8	6.6	0.25
SSER 203 203-11	11/16	17	47	31	15.9	11.5	19.5	2.46	1.07	52.7	5	M6X0.75	1/4-28	3.95	12.8	6.6	0.23
SSER 204 204-12	3/4	20	47	31	15.9	11.5	19.5	2.46	1.07	52.7	5	M6X0.75	1/4-28	3.95	12.8	6.6	0.22
SSER 205 205-13 205-14 205-15 205-16	13/16 7/8 15/16 1	25	52	34.9	19.1	13.1	21.8	2.46	1.07	57.9	5	M6X0.75	1/4-28	4.35	14.0	7.8	0.28
SSER 206 206-17 206-18 206-19 206-20	1-1/16 1-1/8 1-3/16 1-1/4	30	62	38.1	22.2	15.9	22.2	3.18	1.65	67.7	5	M6X0.75	1/4-28	5.5	19.5	11.2	0.38
SSER 207 207-20 207-21 207-22 207-23	1-1/4 1-5/16 1-3/8 1-7/16	35	72	42.9	23.8	17.5	25.4	3.18	1.65	78.6	6.5	M8X1	5/16-24	6.3	25.7	15.2	0.56
SSER 208 208-24 208-25	1-1/2 1-9/16	40	80	49.2	27.8	19	30.2	3.18	1.65	86.6	8	M8X1	5/16-24	7.5	29.6	18.2	0.87
SSER 209 209-26 209-27 209-28	1-5/8 1-11/16 1-3/4	45	85	49.2	27.8	19	30.2	3.18	1.65	91.6	8	M8X1	5/16-24	7.5	31.8	20.8	0.95
SSER 210 210-30 210-31 210-32	1-7/8 1-15/16 2	50	90	51.6	28.6	19	32.6	3.18	2.41	96.5	10	M10X1.25	3/8-24	6.8	35.1	23.2	1.03
SSER 211 211-32 211-33 211-34 211-35	2 2-1/16 2-1/8 2-3/16	55	100	55.6	30.2	22.2	33.4	3.18	2.41	106.5	10	M10X1.25	3/8-24	7.6	43.5	29.2	1.21
SSER 212 212-36 212-37 212-38 212-39	2-1/4 2-5/16 2-3/8 2-7/16	60	110	65.1	31.8	25.4	39.7	3.18	2.41	116.6	10.5	M10X1.25	3/8-24	8.4	52.5	32.8	1.68