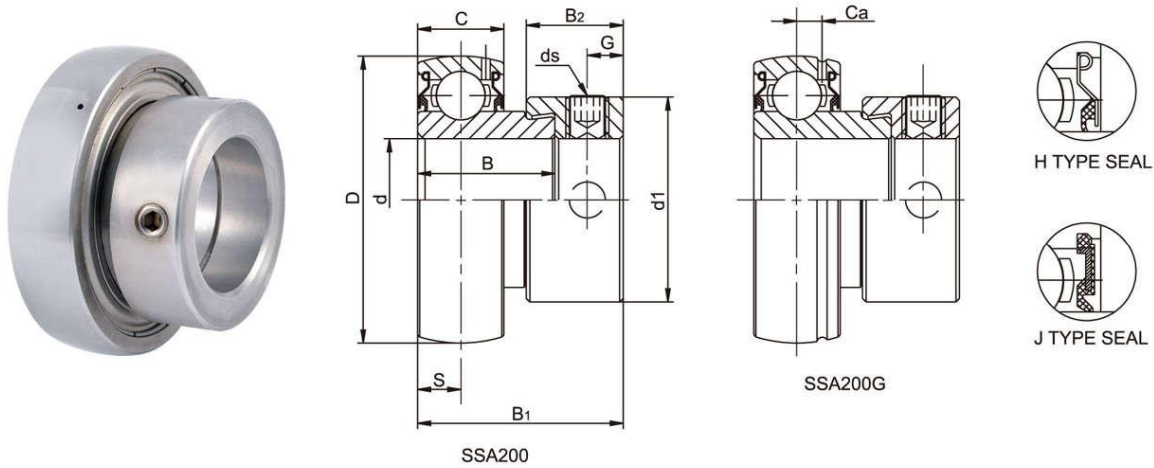


Corrosion Resistant Bearing Inserts **LDK**[®]

SSA Standard duty, Stainless steel, Narrow inner ring, Eccentric locking, Factory-Lubed with food grade grease and with silicon rubber seal.



| Bearing No. | Shaft Dia | | Dimensions(mm) | | | | | | | | | | Load rating (KN) | | Weight (kg) | |
|--|------------------------------------|------|----------------|------|----|------|------|------|------|-----|----------|----------|------------------|------------|-------------|------------|
| | d | | D | B | C | S | B1 | B2 | d1 | G | ds | | Ca | Dynamic Cr | | Static Cor |
| | (in) | (mm) | | | | | | | | | (mm) | (in.UNF) | | | | |
| SSA204 204-12 | 3/4 | 20 | 47 | 21.5 | 14 | 7 | 31 | 13.5 | 33.3 | 5 | M6x1 | 1/4-28 | 4 | 12.82 | 6.65 | 0.21 |
| SSA205 205-13 205-14 205-15 205-16 | 13/16 7/8 15/16 1 | 25 | 52 | 22 | 15 | 7.5 | 31.5 | 13.5 | 38.1 | 5 | M6x1 | 1/4-28 | 4 | 14.03 | 8.05 | 0.25 |
| SSA206 206-17 206-18 206-19 206-20 | 1-1/16 1-1/8 1-3/16 1-1/4 | 30 | 62 | 23.8 | 16 | 8 | 35.7 | 15.9 | 44.5 | 6 | M6x1 | 1/4-28 | 4.9 | 19.47 | 11.43 | 0.39 |
| SSA207 207-20 207-21 207-22 207-23 | 1-1/4 1-5/16 1-3/8 1-7/16 | 35 | 72 | 25.4 | 17 | 8.5 | 38.9 | 17.5 | 55.6 | 6.5 | M8x1 | 5/16-24 | 5.4 | 25.69 | 15.55 | 0.6 |
| SSA208 208-24 208-25 | 1-1/2 1-9/16 | 40 | 80 | 30.2 | 18 | 9 | 43.7 | 18.3 | 60.3 | 6.5 | M8x1 | 5/16-24 | 5.8 | 29.51 | 18.14 | 0.77 |
| SSA209 209-26 209-27 209-28 | 1-5/8 1-11/16 1-3/4 | 45 | 85 | 30.2 | 19 | 9.5 | 43.7 | 18.3 | 63.5 | 6.5 | M8x1 | 5/16-24 | 6.1 | 31.85 | 20.80 | 0.84 |
| SSA210 210-30 210-31 210-32 | 1-7/8 1-15/16 2 | 50 | 90 | 30.2 | 20 | 10 | 43.7 | 18.3 | 69.9 | 6.5 | M8x1 | 5/16-24 | 6.5 | 34.99 | 23.70 | 1.02 |
| SSA211 211-32 211-33 211-34 211-35 | 2 2-1/16 2-1/8 2-3/16 | 55 | 100 | 32.5 | 21 | 10.5 | 48.4 | 20.7 | 76.2 | 8 | M10x1.25 | 3/8-24 | 7 | 43.34 | 29.39 | 1.37 |
| SSA212 212-36 212-37 212-38 212-39 | 2-1/4 2-5/16 2-3/8 2-7/16 | 60 | 110 | 37.2 | 22 | 11 | 53.1 | 22.3 | 84.2 | 8 | M10x1.25 | 3/8-24 | 7.3 | 47.68 | 33.43 | 1.85 |