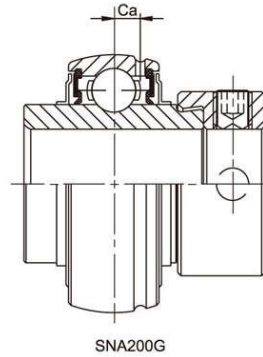
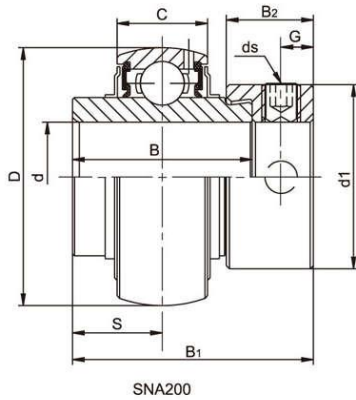


LDK[®] Corrosion Resistant Bearing Inserts

SNA Standard duty, Stainless steel, Wider inner ring, Eccentric locking, Factory-Lubed with food grade grease and with silicon rubber seal.



Bearing No.	Shaft Dia		Dimensions(mm)									Load rating (KN)		Weight (kg)		
	d		D	B	C	S	B1	B2	d1	G	ds		Ca		Dynamic Cr	Static Cor
	(in)	(mm)									(mm)	(in.UNF)				
SNA204 204-12	3/4	20	47	34.2	17	17.1	43.7	13.5	33.3	5	M6x1	1/4-28	4.3	12.82	6.65	0.21
SNA205 205-13 205-14 205-15 205-16	13/16 7/8 15/16 1	25	52	34.9	17	17.5	44.4	13.5	38.1	5	M6x1	1/4-28	4.2	14.03	8.05	0.25
SNA206 206-17 206-18 206-19 206-20	1-1/16 1-1/8 1-3/16 1-1/4	30	62	36.5	19	18.3	48.4	15.9	44.5	6	M6x1	1/4-28	5.3	19.47	11.43	0.39
SNA207 207-20 207-21 207-22 207-23	1-1/4 1-5/16 1-3/8 1-7/16	35	72	37.6	20	18.8	51.1	17.5	55.6	6.5	M8x1	5/16-24	5.8	25.69	15.55	0.6
SNA208 208-24 208-25	1-1/2 1-9/16	40	80	42.8	21	21.4	56.3	18.3	60.3	6.5	M8x1	5/16-24	6.2	29.51	18.14	0.77
SNA209 209-26 209-27 209-28	1-5/8 1-11/16 1-3/4	45	85	42.8	22	21.4	56.3	18.3	63.5	6.5	M8x1	5/16-24	6.5	31.85	20.80	0.84
SNA210 210-30 210-31 210-32	1-7/8 1-15/16 2	50	90	49.2	24	24.6	62.7	18.3	69.9	6.5	M8x1	5/16-24	7	34.99	23.70	1.02
SNA211 211-32 211-33 211-34 211-35	2 2-1/16 2-1/8 2-3/16	55	100	55.5	25	27.8	71.4	20.7	76.2	8	M10x1.25	3/8-24	7.4	43.34	29.39	1.37
SNA212 212-36 212-37 212-38 212-39	2-1/4 2-5/16 2-3/8 2-7/16	60	110	61.9	27	31	77.8	22.3	84.2	8	M10x1.25	3/8-24	7.6	47.68	33.43	1.85