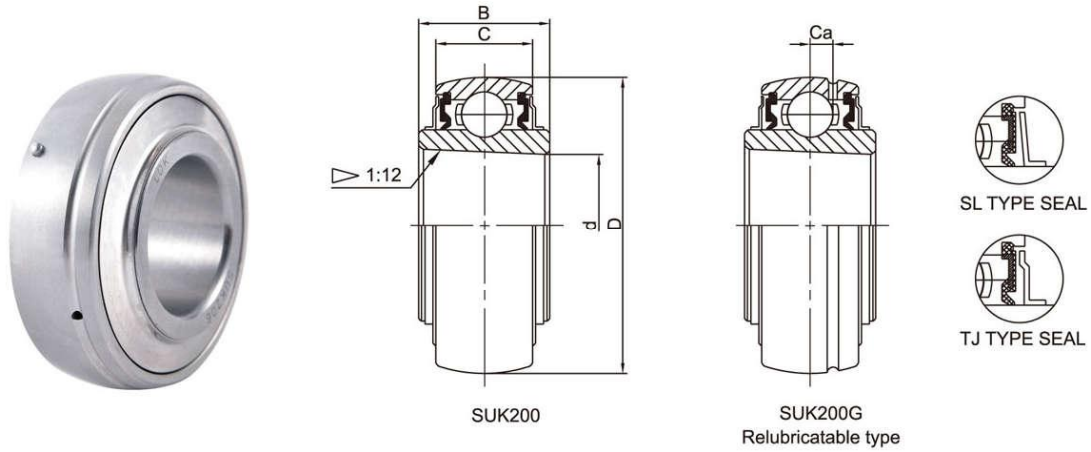


Corrosion Resistant Bearing Inserts **LDK**[®]

SUK Standard duty, Stainless steel, Taperd bore, Adapter sleeve locking,
Factory-Lubed with food grade grease and with silicon rubber seal.



Bearing No.	Dimensions(mm)						Basic Load Rating (KN)		Weight (kg)
	d1	d	D	B	C	Ca	Dynamic Cr	Static Cor	
SUK205	20	25	52	23	17	4.5	14.0	7.8	0.21
SUK206	25	30	62	26	19	5.1	19.5	11.2	0.31
SUK207	30	35	72	27	20	5.8	25.7	15.2	0.46
SUK208	35	40	80	29	21	6.2	29.6	18.2	0.63
SUK209	40	45	85	30	22	6.5	31.8	20.8	0.68
SUK210	45	50	90	31	24	7	35.1	23.2	0.78
SUK211	50	55	100	36	26	7.3	43.5	29.2	1.07
SUK212	55	60	110	38	27	7.7	52.5	32.8	1.51