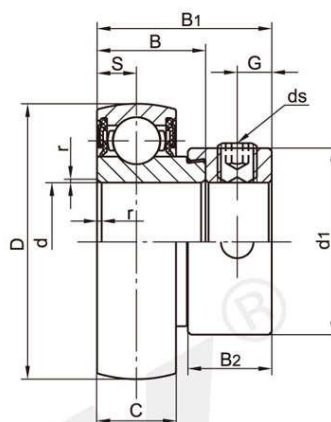


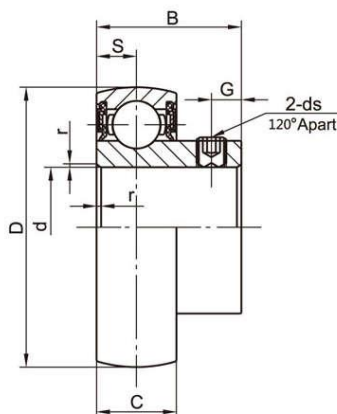
# All Stainless Steel Silver Series **LDK**<sup>®</sup>

SK/SU Stainless steel, Setscrew/Eccentric locking



## SU000 Series

| Bearing No. | Shaft d(mm) | Dimensions(mm) |      |    |     |      |     |    |     |     |        | Basic Load Rating kgf |            | Weight (kg) |
|-------------|-------------|----------------|------|----|-----|------|-----|----|-----|-----|--------|-----------------------|------------|-------------|
|             |             | D              | B    | C  | S   | B1   | B2  | d1 | r   | G   | ds     | Dynamic Cr            | Static Cor |             |
| SU 000      | 10          | 26             | 11   | 8  | 4   | 17.5 | 8.5 | 17 | 0.7 | 3.5 | M4X0.7 | 4.60                  | 1.96       | 0.03        |
| SU 001      | 12          | 28             | 11   | 8  | 4   | 17.5 | 8.5 | 19 | 0.7 | 3.5 | M4X0.7 | 5.09                  | 2.4        | 0.03        |
| SU 002      | 15          | 32             | 12   | 9  | 4.5 | 18.5 | 8.5 | 22 | 0.7 | 3.5 | M4X0.7 | 5.58                  | 2.84       | 0.04        |
| SU 003      | 17          | 35             | 13.5 | 10 | 5   | 20.5 | 9.5 | 25 | 0.8 | 3.5 | M4X0.7 | 5.97                  | 3.28       | 0.06        |
| SU 004      | 20          | 42             | 16.5 | 12 | 6   | 24.5 | 11  | 30 | 1.3 | 3.8 | M5X0.8 | 9.35                  | 5.04       | 0.1         |
| SU 005      | 25          | 47             | 17.5 | 12 | 6   | 25.5 | 12  | 36 | 1.3 | 4   | M5X0.8 | 10.09                 | 5.83       | 0.12        |
| SU 006      | 30          | 55             | 18.5 | 13 | 6.5 | 26.5 | 12  | 42 | 1.5 | 4   | M5X0.8 | 13.23                 | 8.28       | 0.17        |



## SK000 Series

| Bearing No. | Shaft d(mm) | Dimensions(mm) |      |    |     |     |     |        | Basic Load Rating kgf |            | Weight (kg) |
|-------------|-------------|----------------|------|----|-----|-----|-----|--------|-----------------------|------------|-------------|
|             |             | D              | B    | C  | S   | r   | G   | ds     | Dynamic Cr            | Static Cor |             |
| SK 000      | 10          | 26             | 14   | 8  | 4   | 0.7 | 3   | M3x0.5 | 4.6                   | 1.96       | 0.02        |
| SK 001      | 12          | 28             | 14.5 | 8  | 4   | 0.7 | 3   | M3x0.5 | 5.09                  | 2.4        | 0.03        |
| SK 002      | 15          | 32             | 16.5 | 9  | 4.5 | 0.7 | 3.5 | M4X0.7 | 5.58                  | 2.84       | 0.04        |
| SK 003      | 17          | 35             | 17.5 | 10 | 5   | 0.8 | 3.5 | M4X0.7 | 5.97                  | 3.28       | 0.05        |
| SK 004      | 20          | 42             | 21   | 12 | 6   | 1.3 | 4   | M5X0.8 | 9.35                  | 5.04       | 0.08        |
| SK 005      | 25          | 47             | 22.5 | 12 | 6   | 1.3 | 4.5 | M5X0.8 | 10.09                 | 5.83       | 0.10        |
| SK 006      | 30          | 55             | 24.5 | 13 | 6.5 | 1.5 | 5   | M5X0.8 | 13.23                 | 8.28       | 0.15        |