

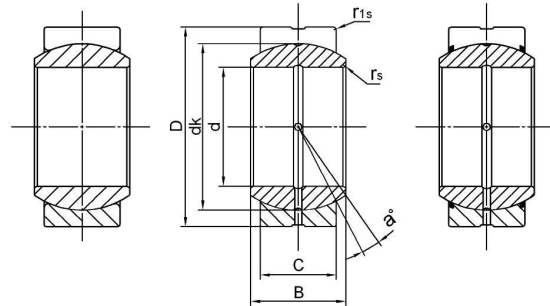
**GE..E
GE..ES
GE..ES-2RS**

Inner Race: Gcr15 Steel,hardened HRC 58-64,
surface phosphated.

Outer Race: Gcr15 Steel,hardened HRC 54-60,
surface phosphated.

Bore size $d \geq 140$ mm: Inner and outer race are all Gcr15 SiMn.

Sliding contact surfaces: Steel/Steel



GE..E

GE..ES

GE..ES-2RS

Bearing No.		Dimensions(mm)							Load ratings KN		a° ≈	weight ≈ kg
		d	D	B	C	dk	rs	r1s	Dynamic	Static		
GE4E		4	12	5	3	8	0.3	0.3	2	10	16	0.003
GE5E		5	14	6	4	10	0.3	0.3	3.4	17	13	0.005
GE6E		6	14	6	4	10	0.3	0.3	3.4	17	13	0.004
GE8E		8	16	8	5	13	0.3	0.3	5.5	27	15	0.008
GE10E		10	19	9	6	16	0.3	0.3	8.1	40	12	0.011
GE12E		12	22	10	7	18	0.3	0.3	10	53	10	0.015
GE15ES	GE15ES-2RS	15	26	12	9	22	0.3	0.3	16	84	8	0.027
GE17ES	GE17ES-2RS	17	30	14	10	25	0.3	0.3	21	106	10	0.041
GE20ES	GE20ES-2RS	20	35	16	12	29	0.3	0.3	30	146	9	0.066
GE25ES	GE25ES-2RS	25	42	20	16	35.5	0.6	0.6	48	240	7	0.119
GE30ES	GE30ES-2RS	30	47	22	18	40.7	0.6	0.6	62	310	6	0.153
GE35ES	GE35ES-2RS	35	55	25	20	47	0.6	1	79	399	6	0.233
GE40ES	GE40ES-2RS	40	62	28	22	53	0.6	1	99	495	7	0.306
GE45ES	GE45ES-2RS	45	68	32	25	60	0.6	1	127	637	7	0.427
GE50ES	GE50ES-2RS	50	75	35	28	66	0.6	1	156	780	6	0.546
GE55ES	GE55ES-2RS	55	85	40	32	74	0.6	1	200	1000	7	0.939
GE60ES	GE60ES-2RS	60	90	44	36	80	1	1	245	1220	6	1.04
GE70ES	GE70ES-2RS	70	105	49	40	92	1	1	313	1560	6	1.55
GE80ES	GE80ES-2RS	80	120	55	45	105	1	1	400	2000	6	2.31
GE90ES	GE90ES-2RS	90	130	60	50	115	1	1	488	2440	5	2.75
GE100ES	GE100ES-2RS	100	150	70	55	130	1	1	607	3030	7	4.45
GE110ES	GE110ES-2RS	110	160	70	55	140	1	1	654	3270	6	4.82
GE120ES	GE120ES-2RS	120	180	85	70	160	1	1	950	4750	6	8.05
GE140ES	GE140ES-2RS	140	210	90	70	180	1	1	1070	5350	7	11.02
GE160ES	GE160ES-2RS	160	230	105	80	200	1	1	1360	6800	8	14.01
GE180ES	GE180ES-2RS	180	260	105	80	225	1.1	1.1	1530	7650	6	18.65
GE200ES	GE200ES-2RS	200	290	130	100	250	1.1	1.1	2120	10600	7	28.03
GE220ES	GE220ES-2RS	220	320	135	100	275	1.1	1.1	2320	11600	8	35.51
GE240ES	GE240ES-2RS	240	340	140	100	300	1.1	1.1	2550	12700	8	39.91
GE260ES	GE260ES-2RS	260	370	150	110	325	1.1	1.1	3030	15190	7	51.54
GE280ES	GE280ES-2RS	280	400	155	120	350	1.1	1.1	3570	17850	6	65.06
GE300ES	GE300ES-2RS	300	430	165	120	375	1.1	1.1	3800	19100	7	78.07

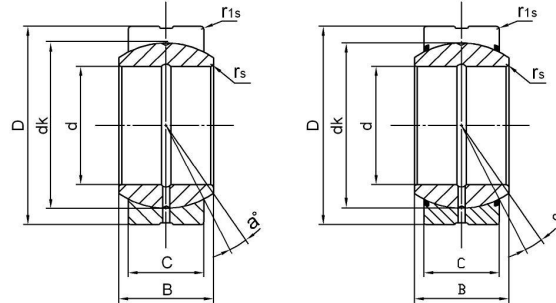
GEZ..ES GEZ..ES-2RS

Inner Race: Gcr15 Steel, hardened HRC 58-64,
surface phosphated.

Outer Race: Gcr15 Steel, hardened HRC 54-60,
surface phosphated.

Bore size $d \geq 140\text{mm}$: Inner and outer race are all Gcr15 SiMn.

Sliding contact surfaces: Steel/Steel



GEZ..ES

GEZ..ES-2RS

Bearing No.		Dimensions(mm/inch)							Load ratings KN		a° ≈	weight ≈ kg
		d	D	B	C	dk	rs	r1s	Dynamic	Static		
GEZ12ES		12.700	22.225	11.100	9.525	18	0.15	0.6	13	41	6	0.022
		0.5	0.875	0.437	0.375	0.707	0.006	0.024				
GEZ15ES		15.875	26.988	13.894	11.913	23	0.15	0.6	22	65	6	0.036
		0.625	1.0625	0.547	0.469	0.904	0.006	0.024				
GEZ19ES		19.050	31.750	16.662	14.275	27.5	0.3	0.6	31	95	6	0.053
		0.75	1.25	0.656	0.562	1.081	0.012	0.024				
GEZ22ES		22.225	36.513	19.431	16.662	32	0.3	0.6	42	127	6	0.085
		0.875	1.4375	0.756	0.656	1.258	0.012	0.024				
GEZ25ES	GEZ25ES-2RS	25.400	41.275	22.225	19.050	36.5	0.3	0.6	56	166	6	0.121
		1	1.625	0.875	0.75	1.437	0.012	0.024				
GEZ31ES	GEZ31ES-2RS	31.750	50.800	27.762	23.800	45.5	0.6	0.6	86	260	6	0.23
		1.25	2	1.093	0.937	1.788	0.024	0.024				
GEZ34ES	GEZ34ES-2RS	34.925	55.563	30.150	26.187	49	0.6	1	102	310	6	0.35
		1.375	2.1875	1.187	1.031	1.926	0.024	0.04				
GEZ38ES	GEZ38ES-2RS	38.100	61.913	33.325	28.575	54.7	0.6	1	125	375	6	0.42
		1.5	2.4375	1.312	1.125	2.154	0.024	0.04				
GEZ44ES	GEZ44ES-2RS	44.450	71.438	38.887	33.325	63.9	0.6	1	170	510	6	0.64
		1.75	2.8125	1.531	1.312	2.511	0.024	0.04				
GEZ50ES	GEZ50ES-2RS	50.800	80.963	44.450	38.100	73	0.6	1	224	670	6	0.93
		2	3.1875	1.75	1.5	2.869	0.024	0.04				
GEZ57ES	GEZ57ES-2RS	57.150	90.488	50.013	42.850	82	0.6	1	280	850	6	1.3
		2.25	3.5625	1.969	1.687	3.223	0.024	0.04				
GEZ63ES	GEZ63ES-2RS	63.500	100.013	55.550	47.625	92	1	1	355	1060	6	1.85
		2.5	3.9375	2.187	1.875	3.616	0.04	0.04				
GEZ69ES	GEZ69ES-2RS	69.850	111.125	61.112	52.375	100	1	1	415	1250	6	2.4
		2.75	4.375	2.406	2.062	3.937	0.04	0.04				
GEZ76ES	GEZ76ES-2RS	76.200	120.650	66.675	57.150	109.5	1	1	500	1500	6	3.1
		3	4.75	2.625	2.25	4.303	0.04	0.04				
GEZ82ES	GEZ82ES-2RS	82.550	130.175	72.238	61.900	119	1	1	585	1760	6	3.8
		3.25	5.125	2.844	2.437	4.685	0.04	0.04				
GEZ88ES	GEZ88ES-2RS	88.900	139.700	77.775	66.675	128	1	1	680	2040	6	4.8
		3.5	5.5	3.062	2.625	5.04	0.04	0.04				

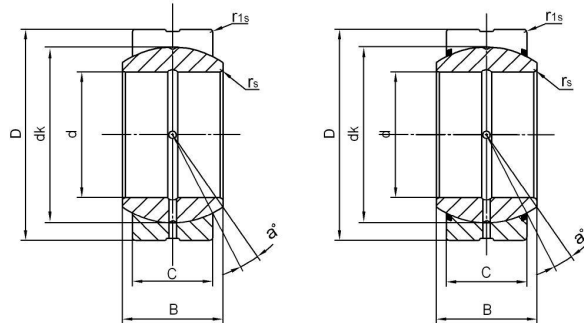
**GEZ..ES
GEZ..ES-2RS**

Inner Race: Gcr15 Steel, hardened HRC 58-64, surface phosphated.

Outer Race: Gcr15 Steel, hardened HRC 54-60, surface phosphated.

Bore size $d \geq 140$ mm: Inner and outer race are all Gcr15 SiMn.

Sliding contact surfaces: Steel/Steel.



GEZ..ES

GEZ..ES-2RS

Bearing No.		Dimensions(mm/inch)							Load ratings KN		a° ≈	weight ≈ kg
		d	D	B	C	dk	r _s min	r _{1s} min	Dynamic	Static		
GEZ88ES	GEZ88ES-2RS	88.9	139.7	77.775	66.675	128	1.0	1.0	680	2040	6	4.8
		3.5	5.5	3.062	2.625	5.04	0.04	0.04				
GEZ95ES	GEZ95ES-2RS	95.25	149.225	83.337	71.425	137	1.0	1.0	780	2360	6	5.8
		3.75	5.875	3.281	2.812	5.393	0.04	0.04				
GEZ101ES	GEZ101ES-2RS	101.600	158.750	88.900	76.200	146	1.0	1.0	900	2650	6	7
		4	6.25	3.5	3	5.748	0.04	0.04				
GEZ107ES	GEZ107ES-2RS	107.950	168.275	94.463	80.950	155	1.0	1.0	1000	3000	6	8.41
		4.25	6.625	3.719	3.187	6.102	0.04	0.04				
GEZ114ES	GEZ114ES-2RS	114.300	177.800	100.013	85.725	164.5	1.0	1.0	1120	3400	6	9.8
		4.5	7	3.937	3.375	6.476	0.04	0.04				
GEZ120ES	GEZ120ES-2RS	120.650	187.325	105.562	90.475	173.5	1.0	1.0	1250	3750	6	11.5
		4.75	7.375	4.156	3.562	6.83	0.04	0.04				
GEZ127ES	GEZ127ES-2RS	127.000	196.850	111.125	95.25	183	1.0	1.0	1400	4150	6	13.5
		5	7.75	4.375	3.75	7.204	0.04	0.04				
GEZ152ES	GEZ152ES-2RS	152.400	222.250	120.65	104.775	207	1.0	1.0	1730	5200	5	17.5
		6	8.75	4.75	4.125	8.15	0.04	0.04				

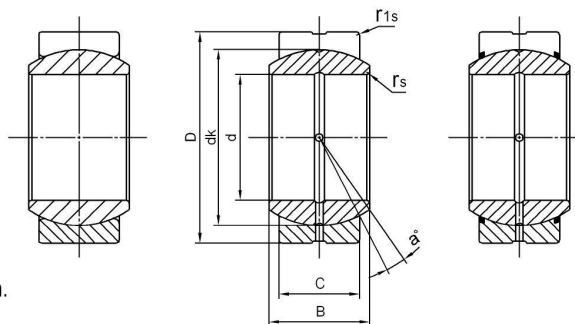
GEG..E GEG..ES GEG..ES-2RS

Inner Race: Gcr15 Steel, hardened HRC 58-64, surface phosphated.

Outer Race: Gcr15 Steel, hardened HRC 54-60, surface phosphated.

Bore size $d \geq 120\text{mm}$: Inner and outer race are all Gcr15 SiMn.

Sliding contact surfaces: Steel/Steel.



GEG..E

GEG..ES

GEG..ES-2RS

Bearing No.		Dimensions(mm)							Load ratings KN		a° ≈	weight ≈ kg
		d	D	B	C	dk	rs	r1s	Dynamic	Static		
GEG4E		4	14	7	4	10	0.3	0.3	3.4	17	20	0.005
GEG5E		5	16	9	5	13	0.3	0.3	5.5	27	21	0.008
GEG6E		6	16	9	5	13	0.3	0.3	5.5	27	21	0.006
GEG8E		8	19	11	6	16	0.3	0.3	8.1	40	21	0.014
GEG10E		10	22	12	7	18	0.3	0.3	10	53	18	0.021
GEG12E		12	26	15	9	22	0.3	0.3	16	84	18	0.033
GEG15ES	GEG15ES-2RS	15	30	16	10	25	0.3	0.3	21	106	16	0.049
GEG17ES	GEG17ES-2RS	17	35	20	12	29	0.3	0.3	30	146	19	0.083
GEG20ES	GEG20ES-2RS	20	42	25	16	35.5	0.3	0.6	48	240	17	0.153
GEG25ES	GEG25ES-2RS	25	47	28	18	40.7	0.6	0.6	62	310	17	0.203
GEG30ES	GEG30ES-2RS	30	55	32	20	47	0.6	1	79	399	17	0.304
GEG35ES	GEG35ES-2RS	35	62	35	22	53	0.6	1	99	495	16	0.408
GEG40ES	GEG40ES-2RS	40	68	40	25	60	0.6	1	127	637	17	0.542
GEG45ES	GEG45ES-2RS	45	75	43	28	66	0.6	1	156	780	15	0.713
GEG50ES	GEG50ES-2RS	50	90	56	36	80	0.6	1	245	1220	17	1.14
GEG60ES	GEG60ES-2RS	60	105	63	40	92	1	1	313	1560	17	2.05
GEG70ES	GEG70ES-2RS	70	120	70	45	105	1	1	400	2000	16	3.01
GEG80ES	GEG80ES-2RS	80	130	75	50	115	1	1	488	2440	14	3.64
GEG90ES	GEG90ES-2RS	90	150	85	55	130	1	1	607	3030	15	5.22
GEG100ES	GEG100ES-2RS	100	160	85	55	140	1	1	654	3270	14	6.05
GEG110ES	GEG110ES-2RS	110	180	100	70	160	1	1	950	4750	12	9.68
GEG120ES	GEG120ES-2RS	120	210	115	70	180	1	1	1070	5350	16	14.01
GEG140ES	GEG140ES-2RS	140	230	130	80	200	1	1	1360	6800	16	19.01
GEG160ES	GEG160ES-2RS	160	260	135	80	225	1.1	1.1	1530	7650	16	24.70
GEG180ES	GEG180ES-2RS	180	290	155	100	250	1.1	1.1	2120	10600	14	35.90
GEG200ES	GEG200ES-2RS	200	320	165	100	275	1.1	1.1	2320	11600	15	45.28
GEG220ES	GEG220ES-2RS	220	340	175	100	300	1.1	1.1	2550	12700	16	51.12
GEG240ES	GEG240ES-2RS	240	370	190	110	325	1.1	1.1	3030	15190	15	65.12
GEG260ES	GEG260ES-2RS	260	400	205	120	350	1.1	1.1	3570	17850	15	82.44
GEG280ES	GEG280ES-2RS	280	430	210	120	375	1.1	1.1	3800	19100	15	97.21

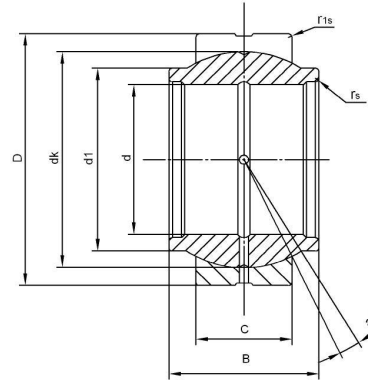
GEEW..ES

Inner Race: Gcr15 Steel,hardened HRC 58-64,
surface phosphated.

Outer Race: Gcr15 Steel,hardened HRC 54-60,
surface phosphated.

Bore size $d \geq 140$ mm: Inner and outer race are
all Gcr15 SiMn.

Sliding contact surfaces: Steel/Steel.



Bearing No.	Dimensions(mm)								Load Ratings KN		a° ≈	Weight ≈ kg
	d	D	B	C	d1	dk	rs	r1s	Dynamic	Static		
GEEW12ES*	12	22	12	7	15.5	18	0.3	0.3	10	53	4	0.022
GEEW15ES	15	26	15	9	18.5	22	0.3	0.3	16	84	5	0.031
GEEW16ES	16	28	16	9	20	23	0.3	0.3	17	85	4	0.035
GEEW17ES	17	30	17	10	21	25	0.3	0.3	21	106	7	0.044
GEEW20ES	20	35	20	12	25	29	0.3	0.3	30	146	4	0.071
GEEW25ES	25	42	25	16	30.5	35.5	0.6	0.6	48	240	4	0.131
GEEW30ES	30	47	30	18	34	40.7	0.6	0.6	62	310	4	0.168
GEEW32ES	32	52	32	18	37	43	0.6	1	65	328	4	0.182
GEEW35ES	35	55	35	20	40	47	0.6	1	79	399	4	0.253
GEEW40ES	40	62	40	22	46	53	0.6	1	99	495	4	0.338
GEEW45ES	45	68	45	25	52	60	0.6	1	127	637	4	0.481
GEEW50ES	50	75	50	28	57	66	0.6	1	156	780	4	0.558
GEEW60ES	60	90	60	36	68	80	1	1	245	1220	4	1.15
GEEW63ES	63	95	63	36	71.5	83	1	1	253	1260	4	1.25
GEEW70ES	70	105	70	40	78	92	1	1	313	1560	4	1.71
GEEW80ES	80	120	80	45	91	105	1	1	400	2000	4	2.39
GEEW90ES	90	130	90	50	99	115	1	1	488	2440	4	3.21
GEEW100ES	100	150	100	55	113	130	1	1	607	3030	4	4.79
GEEW110ES	110	160	110	55	124	140	1	1	654	3270	4	5.78
GEEW125ES	125	180	125	70	138	160	1	1	950	4750	4	8.49
GEEW160ES	160	230	160	80	177	200	1	1	1360	6800	4	16.5
GEEW200ES	200	290	200	100	221	250	1.1	1.1	2120	10600	4	32.1
GEEW250ES	250	400	250	120	317	350	1.1	1.1	3750	17800	4	99.1
GEEW320ES	320	520	320	160	405	450	1.1	1.1	6200	30500	4	231

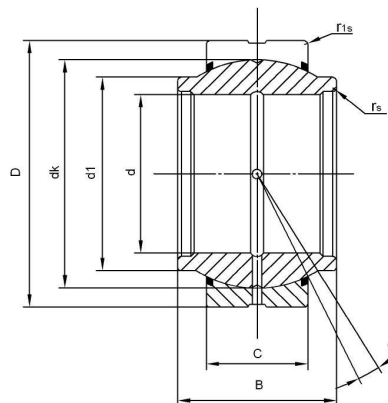
*A lubrication groove and holes in the outer ring only.
Can supply spherical plain bearing with two seals for bore diameter $d \geq \varnothing 15$ mm.

GEEM..ES-2RS

Inner Race: Gcr15 Steel, hardened HRC 58-64, surface phosphated.

Outer Race: Gcr15 Steel, hardened HRC 54-60, surface phosphated.

Sliding contact surfaces: Steel/Steel.



Bearing No.	Dimensions(mm)								Load ratings KN		a° ≈	Weight ≈ kg
	d	D	B	C	d1	dk	rs	r1s	Dynamic	Static		
GEEM20ES-2RS	20	35	24	12	24	29	0.3	0.3	30	146	6	0.073
GEEM25ES-2RS	25	42	29	16	29	35.5	0.3	0.6	48	240	4	0.13
GEEM30ES-2RS	30	47	30	18	34	40.7	0.3	0.6	62	310	4	0.17
GEEM35ES-2RS	35	55	35	20	40	47	0.6	1.0	79	399	4	0.25
GEEM40ES-2RS	40	62	38	22	45	53	0.6	1.0	99	495	4	0.35
GEEM45ES-2RS	45	68	40	25	52	60	0.6	1.0	127	637	4	0.49
GEEM50ES-2RS	50	75	43	28	57	66	0.6	1.0	156	780	4	0.60
GEEM60ES-2RS	60	90	54	36	68	80	0.6	1.0	245	1220	3	1.15
GEEM70ES-2RS	70	105	65	40	78	92	0.6	1.0	313	1560	4	1.65
GEEM80ES-2RS	80	120	74	45	90	105	0.6	1.0	400	2000	4	2.50

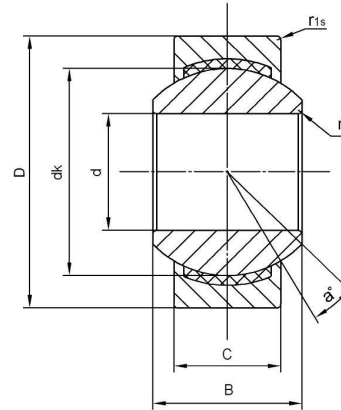


GE..C
GEG..C

Ball:Gcr15 Steel,hardened HRC 58-64, Precision ground, hard chrome plated.

Outer Race:Carbon Steel with PTFE composite.

Sliding contact surfaces : Steel/ PTFE composite.



Bearing No.	Dimensions(mm)							Load ratings KN		a° ≈	weight ≈ kg
	d	D	B	C	dk	fs _{min}	r1s _{min}	Dynamic	Static		
GE..C											
GE4C	4	12	5	3	8	0.3	0.3	2.1	5.4	16	0.003
GE5C	5	14	6	4	10	0.3	0.3	3.6	9.1	13	0.005
GE6C	6	14	6	4	10	0.3	0.3	3.6	9.1	13	0.004
GE8C	8	16	8	5	13	0.3	0.3	5.8	14	15	0.008
GE10C	10	19	9	6	16	0.3	0.3	8.6	21	12	0.011
GE12C	12	22	10	7	18	0.3	0.3	11	28	10	0.015
GE15C	15	26	12	9	22	0.3	0.3	18	45	8	0.027
GE17C	17	30	14	10	25	0.3	0.3	22	56	10	0.041
GE20C	20	35	16	12	29	0.3	0.3	31	78	9	0.066
GE25C	25	42	20	16	35.5	0.6	0.6	51	127	7	0.119
GE30C	30	47	22	18	40.7	0.6	0.6	65	166	6	0.163
GEG..C											
GEG4C	4	14	7	4	10	0.3	0.3	3.6	9.1	20	0.005
GEG5C	5	16	9	5	13	0.3	0.3	5.8	14	21	0.008
GEG6C	6	16	9	5	13	0.3	0.3	5.8	14	21	0.006
GEG8C	8	19	11	6	16	0.3	0.3	8.6	21	21	0.014
GEG10C	10	22	12	7	18	0.3	0.3	11	28	18	0.021
GEG12C	12	26	15	9	22	0.3	0.3	18	45	18	0.033
GEG15C	15	30	16	10	25	0.3	0.3	22	56	16	0.049
GEG17C	17	35	20	12	29	0.3	0.3	31	78	19	0.083
GEG20C	20	42	25	16	35.5	0.3	0.3	51	127	17	0.153
GEG25C	25	47	28	18	40.7	0.6	0.6	65	166	17	0.203
GEG30C	30	55	32	20	47	0.6	0.6	83	212	17	0.304

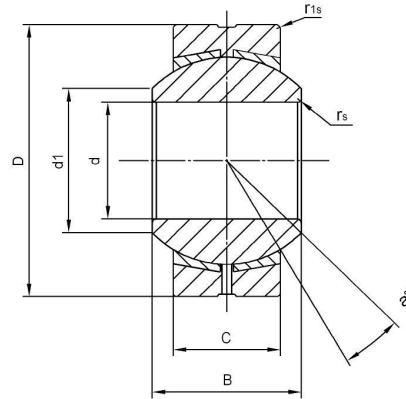
GEBK..S

Ball: Gcr15 Steel, hardened HRC 58-64,
Precision ground, hard chrome plated.

Race: Brass

Outer Race: Carbon steel

Sliding contact surfaces: Steel/Brass.



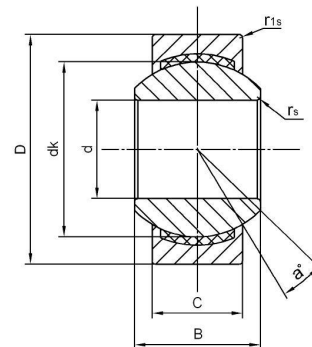
Bearing No.	Dimensions(mm)							Load ratings KN		α° ≈	weight ≈ kg
	d	D	B	C	dk	rs	r1s	Dynamic	Static		
GEBK5S	5	16	8	6	11.112	0.3	0.3	3.3	7.8	13	0.009
GEBK6S	6	18	9	6.75	12.7	0.3	0.3	4.3	9.8	13	0.013
GEBK8S	8	22	12	9	15.88	0.3	0.3	6.8	16	14	0.024
GEBK10S	10	26	14	10.5	19.05	0.3	0.6	10	23	14	0.039
GEBK12S	12	30	16	12	22.23	0.3	0.6	13	31	13	0.058
GEBK14S	14	34	19	13.5	25.4	0.3	0.6	17	40	16	0.084
GEBK16S	16	38	21	15	28.58	0.3	0.6	21	50	15	0.111
GEBK18S	18	42	23	16.5	31.75	0.6	0.6	26	61	15	0.16
GEBK20S	20	46	25	18	34.93	0.6	0.6	31	73	15	0.21
GEBK22S	22	50	28	20	38.1	0.6	0.6	38	88	15	0.26
GEBK25S	25	56	31	22	42.86	0.6	0.6	47	110	15	0.39
GEBK28S	28	62	35	25	47.63	0.6	0.6	59	138	15	0.53
GEBK30S	30	66	37	25	50.8	0.6	0.6	63	148	17	0.61

GE..PW

Ball: Gcr15 Steel, hardened HRC 58-64,
Precision ground, hard chrome plated.

Outer Race: Carbon steel, with liner of PTFE composite.

Sliding contact surfaces: Steel/PTFE.



Bearing No.	Dimensions(mm)							Load ratings KN		a° ≈	weight ≈ kg
	d	D	B	C	dk	r _s	r _{1s}	Dynamic	Static		
GE5PW	5	13	8	6	11.112	0.3	0.3	6	15	13	0.006
GE6PW	6	16	9	6.75	12.7	0.3	0.3	7.65	19.3	13	0.010
GE8PW	8	19	12	9	15.875	0.3	0.3	12.9	32	14	0.018
GE10PW	10	22	14	10.5	19.05	0.3	0.3	18	45	13	0.027
GE12PW	12	26	16	12	22.225	0.3	0.3	24	60	13	0.043
GE14PW	14	28	19	13.5	25.4	0.3	0.3	31	76.5	16	0.055
GE16PW	16	32	21	15	28.575	0.3	0.3	39	96.5	15	0.08
GE18PW	18	35	23	16.5	31.75	0.3	0.3	47.5	118	15	0.10
GE20PW	20	40	25	18	34.925	0.3	0.6	57	140	14	0.15
GE22PW	22	42	28	20	38.1	0.3	0.6	68	170	15	0.18
GE25PW	25	47	31	22	42.85	0.3	0.6	85	212	15	0.24
GE30PW	30	55	37	25	50.8	0.3	0.6	114	285	17	0.38

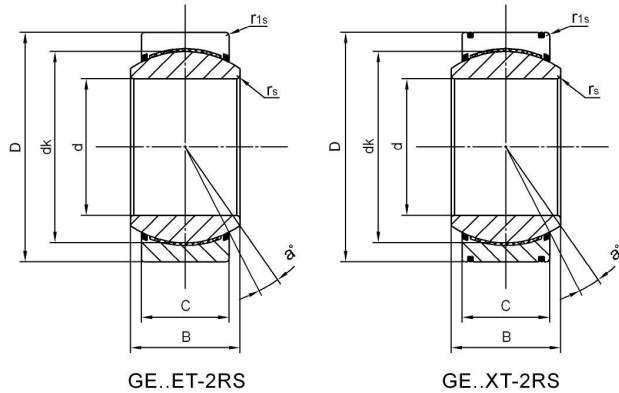
GE..ET-2RS GE..XT-2RS

Inner Race: Gcr15 Steel, hardened HRC 58-64, precision ground, hard chrome plated.

Outer Race: Gcr15 Steel, hardened HRC 54-60, surface phosphated, with liner of PTFE fabric.

Material of outer and inner race for bore size $d \geq 140\text{mm}$: Gcr15SiMn

Sliding contact surfaces: Steel/PTFE fabric.



GE..ET-2RS

GE..XT-2RS

Bearing No.	Dimensions(mm)							Load ratings KN		α° ≈	weight ≈ kg
	d	D	B	C	dk	r_s	r_{1s}	Dynamic	Static		
GE15ET-2RS	15	26	12	9	22	0.3	0.3	25	50	8	0.027
GE17ET-2RS	17	30	14	10	25	0.3	0.3	32	64	10	0.041
GE20ET-2RS	20	35	16	12	29	0.3	0.3	45	90	9	0.066
GE25ET-2RS	25	42	20	16	35.5	0.6	0.6	85	170	7	0.119
GE30ET-2RS	30	47	22	18	40.7	0.6	0.6	110	220	6	0.153
GE35ET-2RS	35	55	25	20	47	0.6	1	140	280	6	0.233
GE40ET-2RS	40	62	28	22	53	0.6	1	175	350	7	0.306
GE45ET-2RS	45	68	32	25	60	0.6	1	225	450	7	0.427
GE50ET-2RS	50	75	35	28	66	0.6	1	275	550	6	0.546
GE55ET-2RS	55	85	40	32	74	0.6	1	355	710	7	0.939
GE60ET-2RS	60	90	44	36	80	1	1	430	860	6	1.04
GE70ET-2RS	70	105	49	40	92	1	1	550	1100	6	1.55
GE80ET-2RS	80	120	55	45	105	1	1	705	1410	6	2.31
GE90ET-2RS	90	130	60	50	115	1	1	860	1720	5	2.75
GE100ET-2RS	100	150	70	55	130	1	1	1070	2140	7	4.45
GE110ET-2RS	110	160	70	55	140	1	1	1150	2300	6	4.82
GE120ET-2RS	120	180	85	70	160	1	1	1680	3360	6	8.05
GE140XT-2RS	140	210	90	70	180	1	1	1890	3780	7	11.02
GE160XT-2RS	160	230	105	80	200	1	1	2400	4800	8	14.01
GE180XT-2RS	180	260	105	80	225	1.1	1.1	2700	5400	6	18.65
GE200XT-2RS	200	290	130	100	250	1.1	1.1	3750	7500	7	28.03
GE220XT-2RS	220	320	135	100	275	1.1	1.1	4120	8240	8	35.51
GE240XT-2RS	240	340	140	100	300	1.1	1.1	4500	9000	8	39.91
GE260XT-2RS	260	370	150	110	325	1.1	1.1	5360	10720	7	51.54
GE280XT-2RS	280	400	155	120	350	1.1	1.1	6300	12600	6	65.06
GE300XT-2RS	300	430	165	120	375	1.1	1.1	6750	13500	7	78.07



GEG..ET-2RS
GEG..XT-2RS

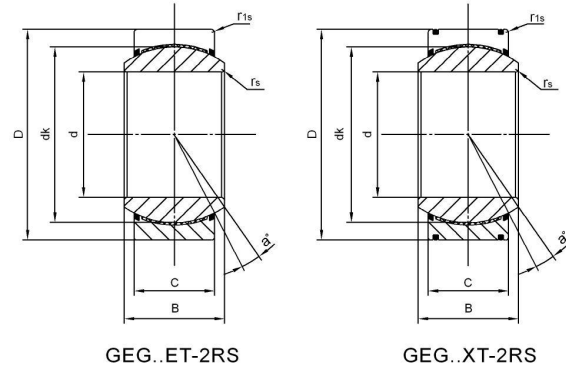
Inner Race:Gcr15 Steel, hardened HRC 58-64, precision ground, hard chrome plated.

Outer Race:Gcr15 Steel, hardened HRC 54-60, surface phosphated, with liner of PTFE fabric.

Material of outer and inner race for bore size

$d \geq 140\text{mm}$: Gcr15 SiMn.

Slidingcontact surfaces : Steel/ PTFE fabric.



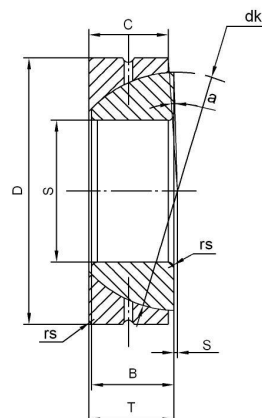
Bearing No.	Dimensions(mm)							Load ratings KN		a° ≈	weight ≈ kg
	d	D	B	C	dk	rs	r1s	Dynamic	Static		
GEG15ET-2RS	15	30	16	10	25	0.3	0.3	32	64	16	0.049
GEG17ET-2RS	17	35	20	12	29	0.3	0.3	45	90	19	0.083
GEG20ET-2RS	20	42	25	16	35.5	0.3	0.6	85	170	17	0.153
GEG25ET-2RS	25	47	28	18	40.7	0.6	0.6	110	220	17	0.203
GEG30ET-2RS	30	55	32	20	47	0.6	1	140	280	17	0.304
GEG35ET-2RS	35	62	35	22	53	0.6	1	175	350	16	0.408
GEG40ET-2RS	40	68	40	25	60	0.6	1	225	450	17	0.542
GEG45ET-2RS	45	75	43	28	66	0.6	1	275	550	15	0.713
GEG50ET-2RS	50	90	56	36	80	0.6	1	430	860	17	1.14
GEG60ET-2RS	60	105	63	40	92	1	1	550	1100	17	2.05
GEG70ET-2RS	70	120	70	45	105	1	1	705	1410	16	3.01
GEG80ET-2RS	80	130	75	50	115	1	1	860	1720	14	3.64
GEG90ET-2RS	90	150	85	55	130	1	1	1070	2140	15	5.22
GEG100ET-2RS	100	160	85	55	140	1	1	1150	2300	14	6.05
GEG110ET-2RS	110	180	100	70	160	1	1	1680	3360	12	9.68
GEG120XT-2RS	120	210	115	70	180	1	1	1890	3780	16	14.01
GEG140XT-2RS	140	230	130	80	200	1	1	2400	4800	16	19.01
GEG160XT-2RS	160	260	135	80	225	1.1	1.1	2700	5400	16	24.70
GEG180XT-2RS	180	290	155	100	250	1.1	1.1	3750	7500	14	35.90
GEG200XT-2RS	200	320	165	100	275	1.1	1.1	4120	8240	15	45.28
GEG220XT-2RS	220	340	175	100	300	1.1	1.1	4500	9000	16	51.12
GEG240XT-2RS	240	370	190	110	325	1.1	1.1	5360	10720	15	65.12
GEG260XT-2RS	260	400	205	120	350	1.1	1.1	6300	12600	15	82.44
GEG280XT-2RS	280	430	210	120	375	1.1	1.1	6750	13500	15	97.21

GAC..S

Inner Race: Gcr15 Steel, hardened HRC 58-64,
surface phosphated.

Outer Race: Gcr15 Steel, hardened HRC 58-64,
surface phosphated.

Sliding contact surfaces : Steel/ Steel



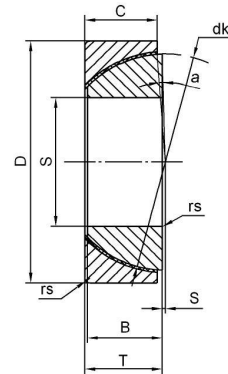
Bearing No.	Dimensions(mm)								Load ratings KN		a° ≈	Weight ≈ kg
	d	D	B	C	T	dk	S	r _{s min}	Dynamic	Static		
GAC25S	25	47	15	14	15	42	0.6	1	50	250	2.5	0.148
GAC28S	28	52	15	15	16	47	1	1	60	300	2	0.186
GAC30S	30	55	17	15	17	49.5	1.3	1	63	315	4.5	0.208
GAC32S	32	58	17	16	17	52	2	1	71	354	2	0.241
GAC35S	35	62	18	16	18	55.5	2.1	1	78	390	4	0.268
GAC40S	40	68	19	17	19	62	2.8	1	92	463	5	0.327
GAC45S	45	75	20	18	20	68.5	3.5	1	108	540	3	0.416
GAC50S	50	80	20	19	20	74	4.3	1	123	618	1.5	0.455
GAC55S	55	90	23	20	23	82	5	1.1	144	721	4	0.645
GAC60S	60	95	23	21	23	88.5	5.7	1.1	163	817	2.5	0.714
GAC65S	65	100	23	22	23	93.5	6.5	1.1	180	905	1	0.759
GAC70S	70	110	25	23	25	102	7.2	1.1	206	1030	2	1.04
GAC75S	75	115	25	24	25	107	7.9	1.1	220	1129	1	1.12
GAC80S	80	125	29	25.5	29	115	8.6	1.1	258	1290	3.5	1.54
GAC85S	85	130	29	26.5	29	122	9.4	1.1	284	1422	2	1.61
GAC90S	90	140	32	28	32	128.5	10.1	1.5	316	1580	3.5	2.09
GAC95S	95	145	32	29.5	32	135	10.8	1.5	350	1750	2	2.22
GAC100S	100	150	32	31	32	141	11.6	1.5	384	1923	0.5	2.34
GAC105S	105	160	35	32.5	35	148	12.3	2	423	2116	2	2.93
GAC110S	110	170	38	34	38	155	13	2	463	2318	3	3.68
GAC120S	120	180	38	37	38	168	14.5	2	547	2735	0.5	3.97
GAC130S	130	200	45	43	45	188	18	2.5	710	3550	1	5.92
GAC140S	140	210	45	43	45	198	19	2.5	740	3740	1	6.33
GAC150S	150	225	48	46	48	211	20	3	850	4270	1	8.01
GAC160S	160	240	51	49	51	225	20	3	970	4850	1	9.42
GAC170S	170	260	57	55	57	246	21	3	1190	5950	1	12.3
GAC180S	180	280	64	61	64	260	21	3	1395	6970	1	17.4
GAC190S	190	290	64	62	64	275	26	3	1500	7500	0.5	18.2
GAC200S	200	310	70	66	70	290	26	3	1680	8420	1.5	22.5

GAC..T

Outer Race: Gcr15 Steel, hardened HRC 58-64,
surface phosphated and with liner
of PTFE fabric.

Inner Race: Gcr15 Steel, hardened HRC 58-64,
precision ground, hard chrome plated.

Sliding contact surfaces : Steel/PTFE fabric



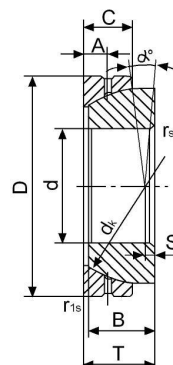
Bearing No.	Dimensions(mm)								Load ratings KN		a° ≈	Weight ≈ kg
	d	D	B	C	T	dk	S	rs	Dynamic	Static		
GAC25T	25	47	15	14	15	42	0.6	1	75	149	3.5	0.148
GAC28T	28	52	15	15	16	47	1	1	100	200	2	0.186
GAC30T	30	55	17	15	17	49.5	1.3	1	95	188	3	0.208
GAC32T	32	58	17	16	17	52	2	1	125	250	2	0.241
GAC35T	35	62	18	16	18	55.5	2.1	1	117	234	3	0.268
GAC40T	40	68	19	17	19	62	2.8	1	139	277	3	0.327
GAC45T	45	75	20	18	20	68.5	3.5	1	162	324	3	0.416
GAC50T	50	80	20	19	20	74	4.3	1	185	370	3	0.455
GAC55T	55	90	23	20	23	82	5	1.1	216	432	3	0.645
GAC60T	60	95	23	21	23	88.5	5.7	1.1	245	489	3	0.714
GAC65T	65	100	23	22	23	93.5	6.5	1.1	271	542	2.5	0.759
GAC70T	70	110	25	23	25	102	7.2	1.1	309	618	2.5	1.04
GAC75T	75	115	25	24	25	107	7.9	1.1	339	676	2.5	1.12
GAC80T	80	125	29	25.5	29	115	8.6	1.1	387	772	2.5	1.54
GAC85T	85	130	29	26.5	29	122	9.4	1.1	426	851	2.5	1.61
GAC90T	90	140	32	28	32	128.5	10.1	1.5	474	948	2.5	2.09
GAC95T	95	145	32	29.5	32	135	10.8	1.5	525	1049	2.5	2.22
GAC100T	100	150	32	31	32	141	11.6	1.5	577	1151	2	2.34
GAC105T	105	160	35	32.5	35	148	12.3	2	634	1267	2	2.93
GAC110T	110	170	38	34	38	155	13	2	695	1380	2	3.68
GAC120T	120	180	38	37	38	168	14.5	2	820	1630	2	3.97
GAC130T	130	200	45	43	45	188	18	2.5	1060	2130	1	5.92
GAC140T	140	210	45	43	45	198	19	2.5	1120	2240	1	6.33
GAC150T	150	225	48	46	48	211	20	3	1280	2550	1	8.01
GAC160T	160	240	51	49	51	225	20	3	1445	2900	1	9.42
GAC170T	170	260	57	55	57	246	21	3	1780	3560	1	12.3
GAC180T	180	280	64	61	64	260	21	3	2090	4170	1	17.4
GAC190T	190	290	64	62	64	275	26	3	2250	4490	1.5	18.2
GAC200T	200	310	70	66	70	290	26	3	2520	5040	1	22.5

GACZ..S

Outer Race: Gcr15 Steel, hardened HRC 58-64, precision ground, surface phosphated.

Inner Race: Gcr15 Steel, hardened HRC 58-64, precision ground, surface phosphated.

Slidingcontact surfaces : Steel/ Steel



Bearing No.	Dimensions(mm/inch)										Load ratings KN		weight ≈ kg
	d	D	B	C	T	d _k	S	A	r _s , r _{1s} min	α°	Dynamic	Static	
GACZ12S	12.7	22.225	6.86	4.83	7.62	18.26	1.3	2.39	0.51	7	6	18	0.013
	0.5	0.875	0.27	0.19	0.3	0.719	0.051	0.094	0.02				
GACZ15S	15.875	26.988	8.64	6.35	9.40	22.83	1.48	2.77	0.76	6	10	31	0.025
	0.625	1.0625	0.34	0.25	0.37	0.899	0.058	0.109	0.03				
GACZ19S	19.05	31.75	10.41	7.87	11.18	27.43	1.79	3.18	1	6	16	47	0.038
	0.75	1.25	0.41	0.31	0.44	1.08	0.07	0.125	0.04				
GACZ22S	22.225	36.512	12.19	9.65	13.21	31.95	2.02	4.37	2	5.5	22	66	0.049
	0.875	1.4375	0.48	0.38	0.52	1.258	0.08	0.172	0.08				
GACZ25S	25.4	41.275	13.97	11.18	15.24	36.50	2.54	5.16	2	6	29	87	0.085
	1	1.625	0.55	0.44	0.6	1.437	0.1	0.203	0.08				
GACZ31S	31.75	50.8	17.78	13.97	18.80	45.59	3.36	5.94	2	6	47	142	0.159
	1.25	2	0.7	0.55	0.74	1.795	0.132	0.234	0.08				
GACZ34S	34.925	55.562	19.56	15.24	21.34	49.20	3.69	7.14	2.54	4	53	159	0.213
	1.375	2.1875	0.77	0.6	0.84	1.937	0.145	0.281	0.1				
GACZ38S	38.1	61.912	21.34	16.76	23.11	54.74	3.93	7.92	2.54	5.5	66	197	0.301
	1.5	2.4375	0.84	0.66	0.91	2.155	0.155	0.312	0.1				
GACZ44S	44.45	71.438	24.89	20.07	27.18	63.88	4.72	8.33	2.54	6	91	273	0.458
	1.75	2.8125	0.98	0.79	1.07	2.515	0.186	0.328	0.1				
GACZ50S	50.8	80.962	28.70	23.37	31.24	73.02	5.51	9.52	3.56	5.5	122	365	0.671
	2	3.1875	1.13	0.92	1.23	2.875	0.217	0.375	0.14				
GACZ57S	57.15	90.488	32.26	26.67	35.31	82.17	6.18	11.51	3.56	5.5	155	466	0.948
	2.25	3.5625	1.27	1.05	1.39	3.235	0.243	0.453	0.14				
GACZ63S	63.5	100.013	36.07	29.97	39.12	91.19	6.79	12.7	3.56	5	196	589	1.13
	2.5	3.9375	1.42	1.18	1.54	3.59	0.267	0.5	0.14				
GACZ69S	69.85	111.125	39.62	32.38	43.18	100.33	7.46	13.08	4.6	5	231	694	1.75
	2.75	4.375	1.56	1.275	1.7	3.95	0.294	0.515	0.18				
GACZ76S	76.2	120.65	43.43	35.69	47.24	109.52	8.17	14.68	4.6	5	279	838	2.28
	3	4.75	1.71	1.405	1.86	4.312	0.322	0.578	0.18				
GACZ82S	82.55	130.175	47.24	39.24	51.56	118.74	9.04	16.66	4.6	5	332	995	2.89
	3.25	5.125	1.86	1.545	2.03	4.675	0.356	0.656	0.18				

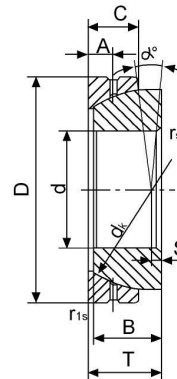


GACZ..S

Outer Race: Gcr15 Steel, hardened HRC 58-64,
precision ground, surface phosphated.

Inner Race: Gcr15 Steel, hardened HRC 58-64,
precision ground, surface phosphated.

Slidingcontact surfaces : Steel/ Steel



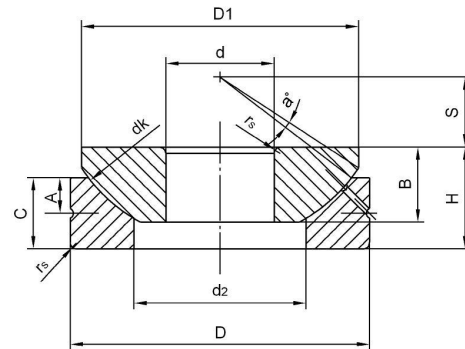
Bearing No.	Dimensions(mm/inch)										Load ratings KN		weight ≈ kg
	d	D	B	C	T	dk	S	A	r _s ,r _{1s} min	α°	Dynamic	Static	
GACZ88S	88.9	139.7	50.80	42.54	55.37	128.02	9.51	17.86	4.6	5	389	1167	3.57
	3.5	5.5	2	1.675	2.18	5.04	0.374	0.703	0.18				
GACZ95S	95.25	149.225	54.61	45.85	59.44	136.91	10.1	19.43	4.6	4.5	449	1348	4.35
	3.75	5.875	2.15	1.805	2.34	5.39	0.398	0.765	0.18				
GACZ101S	101.6	158.75	58.42	49.15	63.50	146.05	10.4	19.84	4.6	4.5	515	1545	5.26
	4	6.25	2.3	1.935	2.5	5.75	0.409	0.781	0.18				
GACZ114S	114.3	177.8	65.79	55.75	71.12	164.46	12.4	22.22	4.6	4.5	663	1990	7.76
	4.5	7	2.59	2.195	2.8	6.475	0.488	0.875	0.18				
GACZ127S	127	196.85	73.15	62.36	79.50	182.63	13.9	25.4	4.6	4.5	818	2445	11.07
	5	7.75	2.88	2.455	3.13	7.19	0.547	1	0.18				
GACZ152S	152.4	222.25	78.74	66.42	85.72	207.16	16.1	34.8	4.6	4.5	985	2955	17.37
	6	8.75	3.1	2.615	3.375	8.156	0.634	1.37	0.18				

GX..S

Inner Race: Gcr15 Steel, hardened HRC 58-64,
surface phosphated.

Outer Race: Gcr15 Steel, hardened HRC 58-64,
precision ground, has lubrication groove and hole.

Sliding contact surfaces : Steel/ Steel



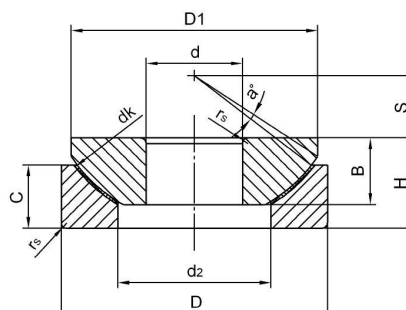
Bearing No.	Dimensions(mm)											Ratings load KN		a° ≈	Weight ≈ kg
	d	D	H	B	C	dk	d ₂ min	D ₁ max	A	S	r _s	Dynamic	Static		
GX10S	10	30	9.5	7.5	7	32	15.5	27.5	3	7	0.6	27	136	9	0.036
GX12S	12	35	13	9.5	9.3	38	18	32	4	8	0.6	37	188	8	0.072
GX15S	15	42	15	11	10.8	46	22.5	39	5	10	0.6	53	267	8	0.108
GX17S	17	47	16	11.8	11.2	52	27	43.5	5	11	0.6	61	311	10	0.137
GX20S	20	55	20	14.5	13.8	60	31	50	6	12.5	1.0	84	425	9	0.246
GX25S	25	62	22.5	16.5	16.7	68	34.5	58.5	6	14	1.0	134	672	7	0.415
GX30S	30	75	26	19	19	82	42	70	8	17.5	1.0	182	909	7	0.614
GX35S	35	90	28	22	20.7	98	50.5	84	8	22	1.0	266	1330	8	0.973
GX40S	40	105	32	27	21.5	114	59	97	9	24.5	1.0	357	1810	9	1.59
GX45S	45	120	36.5	31	25.5	128	67	110	11	27.5	1.0	486	2470	9	2.24
GX50S	50	130	42.5	33	30.5	139	70	120	10	30	1.0	554	2810	7	3.14
GX60S	60	150	45	37	34	160	84	140	12.5	35	1.0	748	3820	8	4.63
GX70S	70	160	50	42	36.5	176	94.5	153	13.5	35	1.0	902	4610	8	5.37
GX80S	80	180	50	43.5	38	197	107.5	172	14.5	42.5	1.0	1110	5700	8	6.91
GX100S	100	210	59	51	46	222	127	198	15	45	1.1	1300	6470	8	10.9
GX120S	120	230	64	53.5	50	250	145	220	16.5	52.5	1.1	1530	7580	6	13.9
GX140S	140	260	72	61	54	274	177	243	23	52.5	1.5	1820	9040	6	18.1
GX160S	160	290	77	66	58	313	200	271	23	65	1.5	2100	10440	7	23.2
GX180S	180	320	86	74	62	340	225	299	26	67.5	1.5	2430	12070	8	30.9
GX200S	200	340	87	80	66	365	247	320	27	70	1.5	3070	15280	8	34.2

GX..T

Outer Race: Gcr15 Steel, hardened HRC 58-64,
surface phosphated and with liner
of PTFE fabric.

Inner Race: Gcr15 Steel, hardened HRC 58-64,
precision ground, hard chrome plated.

Sliding contact surfaces : Steel/ PTFE fabric



Bearing No.	Dimensions(mm)										Load ratings KN		a° ≈	Weight ≈ kg
	d	D	H	B	C	d ₁	d _{min}	D _{max}	S	r _s	Dynamic	Static		
GX10T	10	30	9.5	7.5	7	32	15.5	27.5	7	0.6	40	81	9	0.036
GX12T	12	35	13	9.5	9.3	38	18	32	8	0.6	56	112	8	0.072
GX15T	15	42	15	11	10.8	46	22.5	39	10	0.6	79	160	8	0.108
GX17T	17	47	16	11.8	11.2	52	27	43.5	11	0.6	92	186	10	0.137
GX20T	20	55	20	14.5	13.8	60	31	50	12.5	1	127	255	9	0.246
GX25T	25	62	22.5	16.5	16.7	68	34.5	58.5	14	1	203	407	7	0.415
GX30T	30	75	26	19	19	82	42	70	17.5	1	275	551	7	0.614
GX35T	35	90	28	22	20.7	98	50.5	84	22	1	403	806	9	0.973
GX40T	40	105	32	27	21.5	114	59	97	24.5	1	540	1080	9	1.59
GX45T	45	120	36.5	31	25.5	128	67	110	27.5	1	730	1470	7	2.24
GX50T	50	130	42.5	33	30.5	139	70	120	30	1	840	1670	8	3.14
GX60T	60	150	45	37	34	160	84	140	35	1	1140	2280	8	4.63
GX70T	70	160	50	42	36.5	176	94.5	153	35	1	1370	2750	8	5.37
GX80T	80	180	50	43.5	38	197	107.5	172	42.5	1	1700	3410	8	6.91
GX100T	100	210	59	51	46	222	127	198	45	1.1	1940	3890	8	10.9
GX120T	120	230	64	53.5	50	250	145	220	52.5	1.1	2170	4560	6	13.9
GX140T	140	260	72	61	54	274	177	243	52.5	1.5	2700	5440	6	18.1
GX160T	160	290	77	66	58	313	200	271	65	1.5	3265	6250	7	23.2
GX180T	180	320	86	74	62	340	225	299	67.5	1.5	3700	7220	8	30.9
GX200T	200	340	87	80	66	365	247	320	70	1.5	4780	9150	8	34.2

COM/HCOM & COM-T/HCOM-T

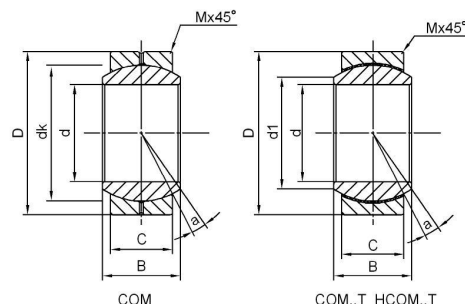
Ball: Gcr15 Steel, hardened HRC 58-64,

precision ground, hard chrome plated.

Outer Race: Carbon steel.

COM..T/HCOMT.. : PTFE composite or PTFE fabric

Sliding contact surfaces: steel/steel or steel/PTFE composite.



Bearing No.	Dimensions(mm)						Misalign angle a°	Ult. Radial static load (KN)	Weight ≈ kg
	d ^{+0.038 -0.012}	D ^{+0 -0.016}	B±0.127	C±0.127	dk	r _{sx45°}			
COM3	0.1900	0.5625	0.281	0.281	0.406	0.020	11	21.6	0.0045
COM3T	4.825	14.288	7.14	5.54	10.31	0.4			
COM4	0.2500	0.6562	0.343	0.250	0.500	0.022	13.5	33	0.009
COM4T	6.35	16.667	8.71	6.35	12.7	0.55			
COM5	0.3125	0.7500	0.375	0.281	0.562	0.032	12	43.2	0.0136
COM5T	7.938	19.05	9.53	7.14	14.27	0.8			
COM6	0.3750	0.8125	0.406	0.312	0.656	0.032	10	56	0.018
COM6T	9.525	20.638	10.31	7.92	16.66	0.8			
COM7	0.4375	0.9062	0.437	0.434	0.718	0.032	8	63	0.022
COM7T	11.113	23.017	11.1	8.71	18.23	0.8			
COM8	0.5000	1.0000	0.500	0.390	0.813	0.032	9.5	88.4	0.031
COM8T	12.7	25.4	12.7	9.91	20.65	0.8			
COM9	0.5625	1.0937	0.562	0.437	0.906	0.032	9.5	110.9	0.040
COM9T	14.288	27.78	14.28	11.1	23.01	0.8			
COM10	0.6250	1.1875	0.625	0.500	1.000	0.032	8.5	141.9	0.049
COM10T	15.875	30.163	15.88	12.7	25.4	0.8			
COM12	0.7500	1.4375	0.750	0.593	1.187	0.044	9	212.98	0.090
COM12T	19.05	36.512	19.05	15.06	30.15	1.1			
COM14	0.8750	1.5625	0.875	0.703	1.312	0.044	9.5	279.9	0.118
COM14T	22.225	39.688	22.23	17.86	33.32	1.1			
COM16	1.0000	1.7500	1.00	0.797	1.500	0.044	10	368.3	0.177
COM16T	25.4	44.45	25.4	20.24	38.1	1.1			
HCOM..HCOM.T									
HCOM16	1.0000	2.0000	1.000	0.781	1.678	0.032	9	472.5	0.249
HCOM16T	25.4	50.8	25.4	19.84	42.62	0.8			
HCOM19	1.1875	2.3750	1.187	0.937	2.000	0.032	8.5	672.1	0.408
HCOM19T	30.162	60.325	30.15	23.8	50.8	0.8			
HCOM20	1.2500	2.3750	1.175	0.937	2.000	0.032	8.5	672.1	0.408
HCOM20T	31.75	60.325	30.15	23.8	50.8	0.8			
HCOM24	1.5000	2.7500	1.375	1.094	2.312	0.032	8.5	907.1	0.616
HCOM24T	38.1	69.85	34.92	27.79	58.72	0.8			
HCOM28	1.7500	3.1250	1.562	1.250	2.625	0.044	8.0	1176.7	0.884
HCOM28T	44.45	79.375	39.67	31.75	66.68	1.1			
HCOM32	2.0000	3.5000	1.750	1.375	2.937	0.044	8.5	1448.2	1.206
HCOM32T	50.8	88.9	44.45	34.92	74.6	1.1			



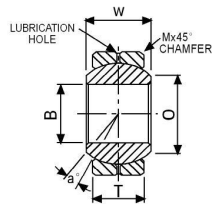
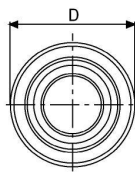
SCOM & SCOM..T

BALL

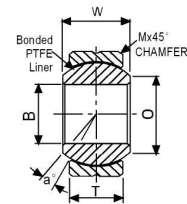
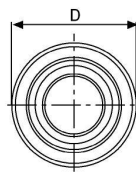
- 440C Stainless steel
- Heat treated
- Hard chrome plated
- Precision ground

RACE

- 300 Series stainless steel
- PTFE lined (COM-SST)



SCOM

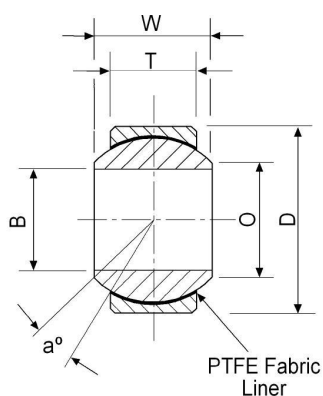


SCOM..T

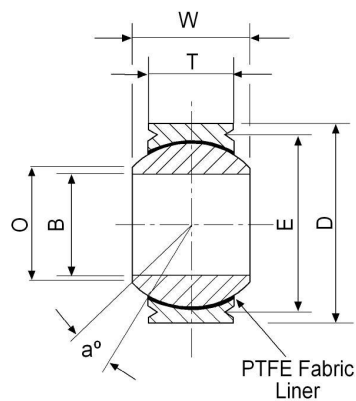
Bearing No.		DIMENSIONS IN INCHES								
Metal to Metal	B + .0015 - .0005	D + .0000 - .0007	T ± .005	W ± .005	O Shoulder. Dia. Ref.	M Chamfer Ref	Ball Dia. Ref.	Misalign. Angle a°	Ult. Raidal Static Load Lbs.	Approx. Brg. Wt. Lbs.
SCOM2	0.1650	0.4687	0.187	0.250	0.235	0.020	0.343	9.0	3,200	0.01
SCOM3	0.1900	0.5625	0.218	0.281	0.293	0.020	0.406	11.0	4,400	0.01
SCOM4	0.2500	0.6562	0.250	0.343	0.364	0.022	0.500	13.5	6,700	0.02
SCOM5	0.3125	0.7500	0.281	0.375	0.419	0.032	0.562	12.0	9,200	0.03
SCOM6	0.3750	0.8125	0.312	0.406	0.516	0.032	0.656	10.0	12,400	0.04
SCOM7	0.4375	0.9062	0.343	0.437	0.530	0.032	0.718	8.0	14,900	0.05
SCOM8	0.5000	1.0000	0.390	0.500	0.640	0.032	0.813	9.5	17,900	0.07
SCOM9	0.5625	1.0937	0.437	0.562	0.710	0.032	0.906	9.5	23,700	0.09
SCOM10	0.6250	1.1875	0.500	0.625	0.780	0.032	1.000	8.5	32,000	0.11
SCOM12	0.7500	1.4375	0.593	0.750	0.920	0.044	1.187	9.0	48,000	0.20
SCOM14	0.8750	1.5625	0.703	0.875	0.980	0.044	1.312	9.5	69,000	0.26
SCOM16	1.0000	1.7500	0.797	1.000	1.118	0.044	1.500	10.0	83,000	0.39

Bearing No.		DIMENSIONS IN INCHES								
PIPE Lined	B + .0015 - .0005	D + .0000 - .0007	T ± .005	W ± .005	O Shoulder. Dia. Ref.	M Chamfer Ref	Ball Dia. Ref.	Misalign. Angle a°	Ult. Raidal Static Load Lbs.	Approx. Brg. Wt. Lbs.
SCOM3T	0.1900	0.5625	0.218	0.281	0.293	0.020	0.406	11.0	4,400	0.01
SCOM4T	0.2500	0.6562	0.250	0.343	0.364	0.022	0.500	13.5	6,700	0.02
SCOM5T	0.3125	0.7500	0.281	0.375	0.419	0.032	0.562	12.0	9,200	0.03
SCOM6T	0.3750	0.8125	0.312	0.406	0.516	0.032	0.656	10.0	12,400	0.04
SCOM7T	0.4375	0.9062	0.343	0.437	0.530	0.032	0.718	8.0	14,900	0.05
SCOM8T	0.5000	1.0000	0.390	0.500	0.640	0.032	0.813	9.5	17,900	0.07
SCOM9T	0.5625	1.0937	0.437	0.562	0.710	0.032	0.906	9.5	23,700	0.09
SCOM10T	0.6250	1.1875	0.500	0.625	0.780	0.032	1.000	8.5	32,000	0.11
SCOM12T	0.7500	1.4375	0.593	0.750	0.920	0.044	1.187	9.0	48,000	0.20
SCOM14T	0.8750	1.5625	0.703	0.875	0.980	0.044	1.312	9.5	69,000	0.26
SCOM16T	1.0000	1.7500	0.797	1.000	1.118	0.044	1.500	10.0	83,000	0.39

WSSB & WSSB..V



• WSSB



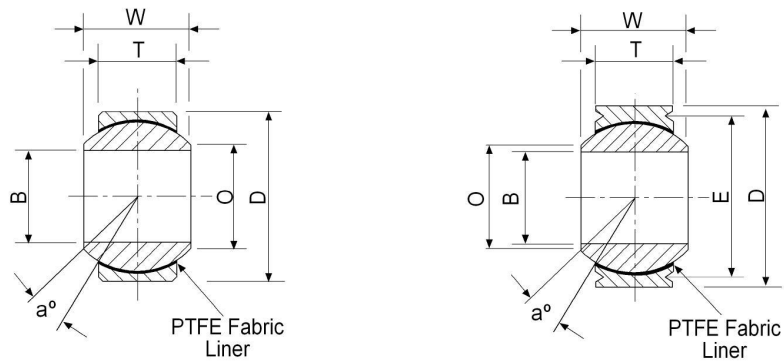
• WSSB-V

Bearing No.		B +.0000 -.0005	D +.0000 -.0005	W +.000 -.002	T ±.005	E +.000 -.010	O REF	REF	a°	Static Radial Limit Load (Pounds)	Static Axial Limit Load (Pounds)	Dynamic Oscillating Radial Load (Pounds)	Approx. Weight (Pounds)
		Ball Bore	Outside Diameter	Ball Width	Race Width	"V" Groove Diameter	Ball Flat Diameter	Ball Diameter					
WSSB3	WSSB3V	.1900	.6250	.437	.327	.565	.301	.531	15	9,000	1,770	3,770	.031
WSSB4	WSSB4V	.2500	.6250	.437	.327	.565	.301	.531	15	9,000	1,770	3,770	.031
WSSB5	WSSB5V	.3125	.6875	.437	.317	.627	.401	.593	14	9,400	1,640	4,650	.035
WSSB6	WSSB6V	.3750	.8125	.500	.406	.714	.471	.687	8	13,700	2,630	6,390	.060
WSSB7	WSSB7V	.4375	.9375	.562	.442	.839	.542	.781	10	20,700	3,650	9,390	.080
WSSB8	WSSB8V	.5000	1.0000	.625	.505	.902	.612	.875	9	27,500	4,970	12,150	.100
WSSB10	WSSB10V	.6250	1.1875	.750	.567	1.089	.752	1.062	12	39,000	6,130	16,700	.160
WSSB12	WSSB12V	.7500	1.3750	.875	.630	1.253	.892	1.250	13	52,300	7,730	22,100	.240
WSSB14	WSSB14V	.8750	1.6250	.875	.755	1.503	1.061	1.375	6	67,300	10,800	28,200	.350
WSSB16	WSSB16V	1.0000	2.1250	1.375	1.005	2.003	1.275	1.875	12	137,000	19,300	53,700	.970

Ball	Race	Liner
440c Stainless Steel	17-4 PH	PTFE Fabric
Rc 56 Min.	Stainless Steel	Permanently Bonded to Race I.D.
	Heat Treated	

This series is also available with an optional 52100 heat treated and hard chrome plated ball. To specify this configuration use p/n WSBT(3-16) or WSBT(3-16)V in place of part numbers in table.

NSSB & NSSB..V

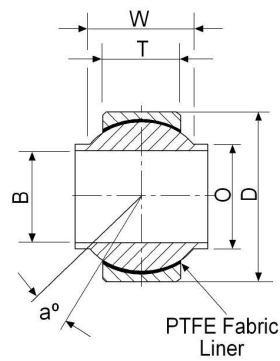


Bearing No.	B +.0000 -.0005	D +.0000 -.0005	W +.000 -.005	T ±.005	E +.000 -.010	O REF	REF	a°	Static Radial Limit Load (Pounds)	Static Axial Limit Load	Dynamic Oscillating Radial Load (Pounds)	Approx. Weight (Pounds)	
													Ball Bore
NSSB3	NSSB3V	.1900	.5625	.281	.218	.502	.293	.406	10	3,975	150	1,500	.020
NSSB4	NSSB4V	.2500	.6562	.343	.250	.596	.364	.500	10	6,040	430	2,320	.020
NSSB5	NSSB5V	.3125	.7500	.375	.281	.652	.419	.562	10	8,750	700	3,430	.030
NSSB6	NSSB6V	.3750	.8125	.406	.312	.714	.515	.656	9	10,540	1,100	4,200	.040
NSSB7	NSSB7V	.4375	.9062	.437	.343	.808	.570	.718	8	13,200	1,400	5,700	.050
NSSB8	NSSB8V	.5000	1.0000	.500	.390	.878	.641	.813	8	17,900	2,100	7,900	.070
NSSB10	NSSB10V	.6250	1.1875	.625	.500	1.065	.739	.968	8	30,500	4,720	13,400	.120
NSSB12	NSSB12V	.7500	1.4375	.750	.593	1.315	.920	1.187	8	46,400	6,750	19,700	.210
NSSB14	NSSB14V	.8750	1.5625	.875	.703	1.440	.978	1.312	8	62,200	9,350	26,100	.270
NSSB16	NSSB16V	1.0000	1.7500	1.000	.797	1.628	1.118	1.500	9	82,200	12,160	34,100	.390

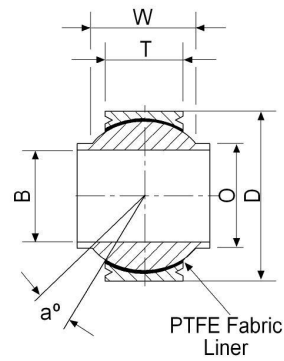
Ball	Race	Liner
440c	17-4PH	Teflon Fabric
Stainless Steel	Stainless Steel	Permanently Bonded
Rc 56 Min.	Heat Treated	to Race I.D.

This series is also available with an optional 52100 heat treated and hard chrome plated ball. To specify this configuration use p/n NSBT(3-16) or NSBT(3-16)V in place of part numbers in table.

YSSB & YSSB..V



• YSSB



• YSSB-V

Bearing No.	B	D	W	T	O	REF	a°	Static Radial Limit Load (Pounds)	Static Axial Limit Load (Pounds)	Dynamic Oscillating Radial Load (Pounds)	Approx. Weight (Pounds)	
	+ .0000 - .0005	+ .0000 - .0005	+ .000 - .002	± .005	+ .000 - .010							Ball Bore
YSSB4	YSSB4V	.2500	.7400	.593	.255	.390	.593	24	7,100	450	3,800	.036
YSSB5	YSSB5V	.3125	.6875	.625	.255	.418	.593	20	9,000	450	3,800	.025
YSSB6	YSSB6V	.3750	.9060	.813	.345	.512	.781	23	16,000	2,000	7,200	.068
YSSB7	YSSB7V	.4375	1.0000	.875	.345	.618	.875	22	19,300	2,000	8,100	.095
YSSB8	YSSB8V	.5000	1.1250	.937	.401	.730	1.000	20	26,100	3,200	10,900	.159
YSSB10	YSSB10V	.6250	1.3750	1.200	.567	.856	1.250	20	44,500	7,000	20,000	.245
YSSB12	YSSB12V	.7500	1.5625	1.280	.620	.970	1.375	18	54,800	8,700	24,200	.315

Ball

440c

Stainless Steel

Rc 56 Min.

Race

17-4

Stainless Steel

Heat Treated

Liner

PTFE Fabric

Permanently Bonded

to Race I.D.

This series is also available with an optional 52100 heat treated and hard

chrome plated ball. To specify this configuration use p/n YSBT(4-12) or

YSBT(4-12)V in place of part numbers in table.

MIB/MIB..T & AIB/AIB..T & SIB/SIB..T

BALL

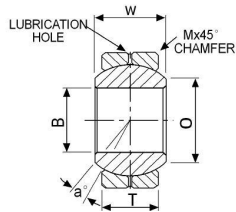
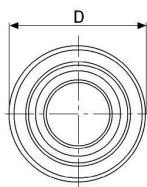
- 52100 Bearing Steel
- Heat Treated
- Hard Chrome Plated
- Precision Ground

RACE

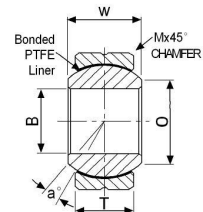
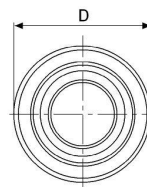
MIB: Low Carbon Steel, I.D. Protective Coated for Corrosion Resistance, Oil coated Mfr. Option - Stainless Steel, Heat Treated.

AIB: Alloy Steel, Heat Treated, I.D. Protective Coated for Corrosion Resistance, Oil coated Mfr. Option - Stainless Steel, Heat Treated.

SIB: Stainless Steel, Heat Treated and Oil Coated.



• MIB/AIB/SIB



• MIB-T/AIB-T/SIB-T

PART NUMBER			DIMENSIONS IN INCHES										
MIB	AIB	SIB	B + .0015 - .0005	D + .0000 - .0007	T + .0000	W ± .005	O Flat Dia. Ref.	M Chamfer Ref	Ball Dia. Ref.	Misalign Angle a°	Ult. Radial Static Load Lbs.		Approx. Brg.Wgt. Lbs.
											MIB	AIB/SIB	
MIB3	AIB3	SIB3	0.1900	0.5312	0.250	0.312	0.307	0.020	0.437	10.5	4,370	6,555	0.02
MIB4	AIB4	SIB4	0.2500	0.6094	0.281	0.375	0.331	0.020	0.500	14.5	5,620	8,430	0.02
MIB5	AIB5	SIB5	0.3125	0.7500	0.344	0.437	0.448	0.020	0.625	11.0	8,600	12,900	0.04
MIB6	AIB6	SIB6	0.3750	0.8437	0.406	0.500	0.516	0.020	0.719	9.50	11,677	17,516	0.06
MIB7	AIB7	SIB7	0.4375	1.0000	0.437	0.562	0.587	0.020	0.812	11.0	14,194	21,291	0.08
MIB8	AIB8	SIB8	0.5000	1.0937	0.500	0.625	0.699	0.020	0.937	9.50	18,740	28,110	0.11
MIB10	AIB10	SIB10	0.6250	1.3125	0.562	0.750	0.839	0.030	1.125	12.0	25,290	37,935	0.17
MIB12	AIB12	SIB12	0.7500	1.5000	0.687	0.875	0.978	0.030	1.312	10.0	32,448	48,672	0.25
MIB16	AIB16	SIB16	1.0000	2.1250	1.000	1.375	1.275	0.060	1.875	15.0	60,000	90,000	0.79

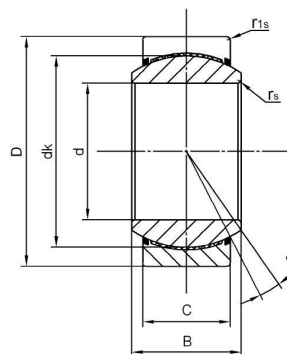
Bearing No.			DIMENSIONS IN INCHES										
MIB-T	AIB-T	SIB-T	B + .0015 - .0005	D + .0000 - .0007	T + .0000	W ± .005	O Flat Dia. Ref	M Chamfer Ref	Ball Dia. Ref.	Misalign Angle a°	Ult. Radial Static Load Lbs.		Approx. Brg.Wgt. Lbs.
											MIB-T	AIB-T/SIB-T	
MIB3T	AIB3T	SIB3T	0.1900	0.5312	0.250	0.312	0.307	0.020	0.437	10.5	4,370	6,555	0.02
MIB4T	AIB4T	SIB4T	0.2500	0.6094	0.281	0.375	0.331	0.020	0.500	14.5	5,620	8,430	0.02
MIB5T	AIB5T	SIB5T	0.3125	0.7500	0.344	0.437	0.448	0.020	0.625	11.0	8,600	12,900	0.04
MIB6T	AIB6T	SIB6T	0.3750	0.8437	0.406	0.500	0.516	0.020	0.719	9.50	11,677	17,516	0.06
MIB7T	AIB7T	SIB7T	0.4375	1.0000	0.437	0.562	0.587	0.020	0.812	11.0	14,194	21,291	0.08
MIB8T	AIB8T	SIB8T	0.5000	1.0937	0.500	0.625	0.699	0.020	0.937	9.50	18,740	28,110	0.11
MIB10T	AIB10T	SIB10T	0.6250	1.3125	0.562	0.750	0.839	0.030	1.125	12.0	25,290	37,935	0.17
MIB12T	AIB12T	SIB12T	0.7500	1.5000	0.687	0.875	0.978	0.030	1.312	10.0	32,448	48,672	0.25
MIB16T	AIB16T	SIB16T	1.0000	2.1250	1.000	1.375	1.275	0.060	1.875	15.0	60,000	90,000	0.79

SGE..ET-2RS

Inner Race: 440C Stainless steel, heat treated,
precision ground

Outer Race: 304 Stainless steel, with liner of PTFE fabric

Sliding contact surfaces: Steel/PTFE fabric.



SGE..ET-2RS

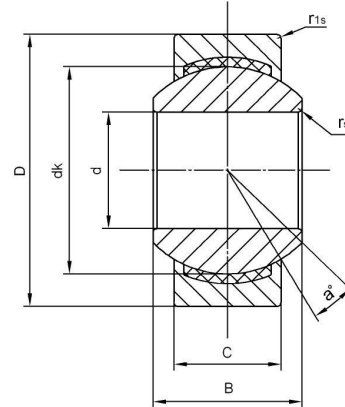
Bearing No.	Dimensions(mm)							Load ratings KN		a° ≈	weight ≈ kg
	d	D	B	C	dk	rs	r1s	Dynamic	Static		
SGE15ET-2RS	15	26	12	9	22	0.3	0.3	25	50	8	0.027
SGE17ET-2RS	17	30	14	10	25	0.3	0.3	32	64	10	0.041
SGE20ET-2RS	20	35	16	12	29	0.3	0.3	45	90	9	0.066
SGE25ET-2RS	25	42	20	16	35.5	0.6	0.6	85	170	7	0.119
SGE30ET-2RS	30	47	22	18	40.7	0.6	0.6	110	220	6	0.153
SGE35ET-2RS	35	55	25	20	47	0.6	1	140	280	6	0.233
SGE40ET-2RS	40	62	28	22	53	0.6	1	175	350	7	0.306
SGE45ET-2RS	45	68	32	25	60	0.6	1	225	450	7	0.427
SGE50ET-2RS	50	75	35	28	66	0.6	1	275	550	6	0.546
SGE55ET-2RS	55	85	40	32	74	0.6	1	355	710	7	0.939
SGE60ET-2RS	60	90	44	36	80	1	1	430	860	6	1.04

SGE..C

Ball: 440C Stainless steel, heat treated, precision ground

Outer Race: 304 Stainless steel, with PTFE composite.

Sliding contact surfaces: Steel/ PTFE composite.



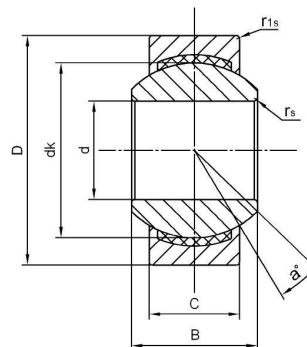
Bearing No.	Dimensions(mm)							Load ratings KN		a° ≈	weight ≈ kg
	d	D	B	C	dk	r _{1s} min	r _{1s} min	Dynamic	Static		
SGE4C	4	12	5	3	8	0.3	0.3	2.1	5.4	16	0.003
SGE5C	5	14	6	4	10	0.3	0.3	3.6	9.1	13	0.005
SGE6C	6	14	6	4	10	0.3	0.3	3.6	9.1	13	0.004
SGE8C	8	16	8	5	13	0.3	0.3	5.8	14	15	0.008
SGE10C	10	19	9	6	16	0.3	0.3	8.6	21	12	0.011
SGE12C	12	22	10	7	18	0.3	0.3	11	28	10	0.015
SGE15C	15	26	12	9	22	0.3	0.3	18	45	8	0.027
SGE17C	17	30	14	10	25	0.3	0.3	22	56	10	0.041
SGE20C	20	35	16	12	29	0.3	0.3	31	78	9	0.066
SGE25C	25	42	20	16	35.5	0.6	0.6	51	127	7	0.119
SGE30C	30	47	22	18	40.7	0.6	0.6	65	166	6	0.163

SGE..PW

Ball: 440C Stainless steel, heat treated, precision ground

Outer Race: 304 Stainless steel, with liner of PTFE composite.

Sliding contact surfaces: Steel/PTFE Composite.



Bearing No.	Dimensions(mm)							Load ratings KN		a° ≈	weight ≈ kg
	d	D	B	C	dk	r _s	r _{1s}	Dynamic	Static		
SGE5PW	5	13	8	6	11.112	0.3	0.3	6	15	13	0.006
SGE6PW	6	16	9	6.75	12.7	0.3	0.3	7.65	19.3	13	0.010
SGE8PW	8	19	12	9	15.875	0.3	0.3	12.9	32	14	0.018
SGE10PW	10	22	14	10.5	19.05	0.3	0.3	18	45	13	0.027
SGE12PW	12	26	16	12	22.225	0.3	0.3	24	60	13	0.043
SGE14PW	14	28	19	13.5	25.4	0.3	0.3	31	76.5	16	0.055
SGE16PW	16	32	21	15	28.575	0.3	0.3	39	96.5	15	0.08
SGE18PW	18	35	23	16.5	31.75	0.3	0.3	47.5	118	15	0.10
SGE20PW	20	40	25	18	34.925	0.3	0.6	57	140	14	0.15
SGE22PW	22	42	28	20	38.1	0.3	0.6	68	170	15	0.18
SGE25PW	25	47	31	22	42.85	0.3	0.6	85	212	15	0.24
SGE30PW	30	55	37	25	50.8	0.3	0.6	114	285	17	0.38

