

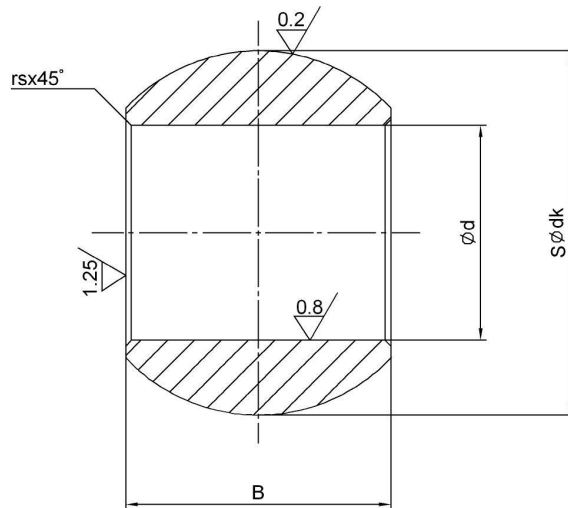
TK..

Material: Gcr15, ball surface polished,
with or without hard chrome plating
are optional

Heat treatment: HRC58~64;

Stainless steel 440C is optional

Can custom made per customer's request.



Bearing No.	Dim	d	dk	B	rs min
TK5		5 ^{+0.012} ₀	11.11 ⁰ _{-0.03}	8 ⁰ _{-0.12}	0.3
TK6		6 ^{+0.012} ₀	12.7 ⁰ _{-0.03}	9 ⁰ _{-0.12}	0.3
TK8		8 ^{+0.015} ₀	15.88 ⁰ _{-0.03}	12 ⁰ _{-0.12}	0.3
TK10		10 ^{+0.015} ₀	19.05 ⁰ _{-0.03}	14 ⁰ _{-0.12}	0.6
TK12		12 ^{+0.018} ₀	22.23 ⁰ _{-0.03}	16 ⁰ _{-0.12}	0.6
TK14		14 ^{+0.018} ₀	25.4 ⁰ _{-0.04}	19 ⁰ _{-0.12}	0.6
TK16		16 ^{+0.018} ₀	28.58 ⁰ _{-0.04}	21 ⁰ _{-0.12}	0.6
TK18		18 ^{+0.018} ₀	31.75 ⁰ _{-0.04}	23 ⁰ _{-0.12}	0.6
TK20		20 ^{+0.021} ₀	34.93 ⁰ _{-0.04}	25 ⁰ _{-0.12}	0.6
TK22		22 ^{+0.021} ₀	38.1 ⁰ _{-0.04}	28 ⁰ _{-0.12}	0.6
TK25		25 ^{+0.021} ₀	42.86 ⁰ _{-0.04}	31 ⁰ _{-0.12}	0.6
TK28		28 ^{+0.021} ₀	47.63 ⁰ _{-0.04}	35 ⁰ _{-0.12}	0.6
TK30		30 ^{+0.021} ₀	50.8 ⁰ _{-0.04}	37 ⁰ _{-0.12}	0.6

All dimensions are in MM.

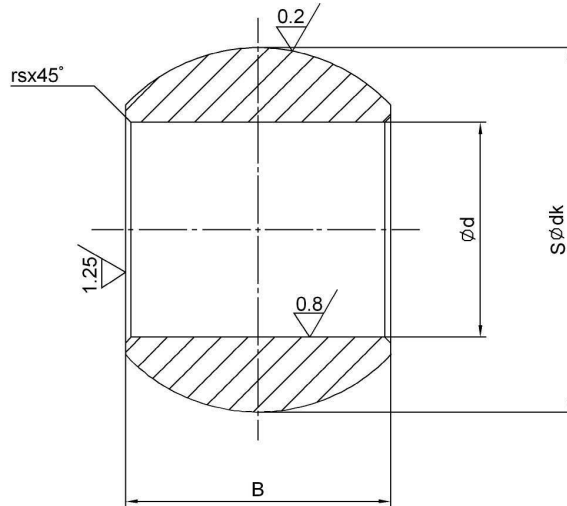
CBL..DP

Material: Gcr15, ball surface polished,
with or without hard chrome plating
are optional

Heat treatment: HRC58~64;

Stainless steel 440C is optional

Can custom made per customer's request.



Bearing No.	Dim d ^{+0.037} -0.013	dk ⁰ -0.03	B ⁰ -0.12	rs min
CBL3DP	4.826	11.110	7.92	0.4
CBL4DP	6.350	12.700	9.53	0.4
CBL5DP	7.938	15.875	11.10	0.4
CBL6DP	9.525	18.256	12.70	0.7
CBL7DP	11.110	20.625	14.27	0.7
CBL8DP	12.700	23.812	15.88	0.7
CBL10DP	15.875	28.575	19.05	0.8
CBL12DP	19.050	33.338	22.23	0.8
CBL16DP	25.400	47.625	25.40	0.8

All dimensions are in MM.

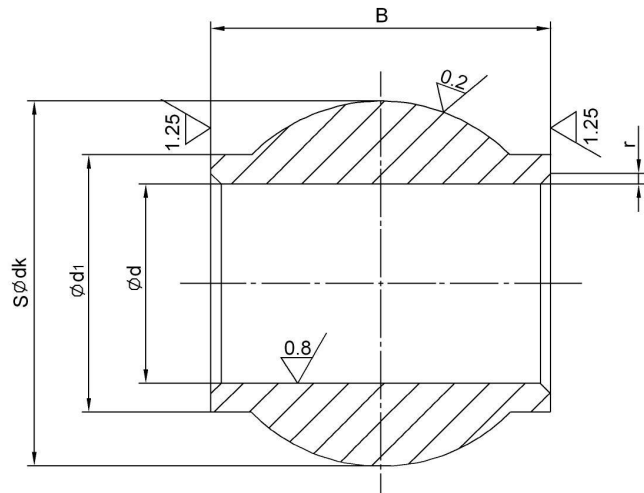
HJMX..

Material: Gcr15, ball surface polished,
hard chrome plated

Heat treatment: HRC58~64;

Stainless steel 440C is optional

Can custom made per customer's request.



Dim Bearing No.	$d \begin{smallmatrix} 0 \\ -0.013 \end{smallmatrix}$	d1	$dK \begin{smallmatrix} 0 \\ -0.03 \end{smallmatrix}$	$B \begin{smallmatrix} 0 \\ -0.12 \end{smallmatrix}$	rs min
HJMX6	9.525	13.00	19.84	20.65	0.7
HJMX7	11.110	15.70	22.23	22.23	0.7
HJMX8	12.700	18.54	25.40	23.80	0.7
HJMX10	15.875	21.74	31.75	30.48	0.8
HJMX12	19.050	24.64	34.93	32.51	0.8

All dimensions are in MM.

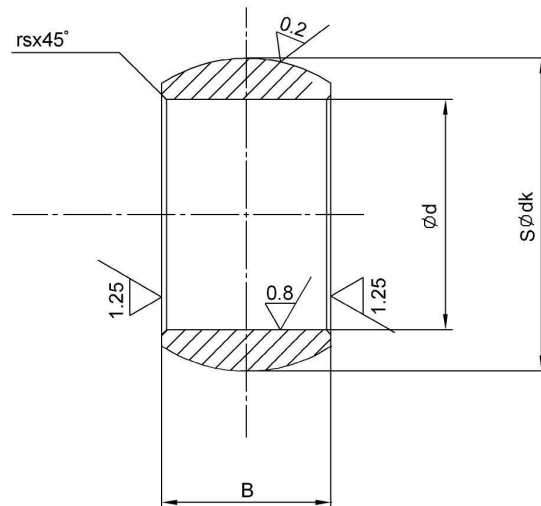
B-GE..C

Material: Gcr15, ball surface polished,
hard chrome plated

Heat treatment: HRC58~64;

Stainless steel 440C is optional

Can custom made per customer's request.



Dim Bearing No.	d	dk	B	rs min
B-GE4C	4 ⁰ _{-0.008}	8 ⁰ _{-0.03}	5 ⁰ _{-0.12}	0.3
B-GE5C	5 ⁰ _{-0.008}	10 ⁰ _{-0.03}	5 ⁰ _{-0.12}	0.3
B-GE6C	6 ⁰ _{-0.008}	10 ⁰ _{-0.03}	5 ⁰ _{-0.12}	0.3
B-GE8C	8 ⁰ _{-0.008}	13 ⁰ _{-0.04}	5 ⁰ _{-0.12}	0.3
B-GE10C	10 ⁰ _{-0.008}	16 ⁰ _{-0.04}	5 ⁰ _{-0.12}	0.3
B-GE12C	12 ⁰ _{-0.008}	18 ⁰ _{-0.04}	5 ⁰ _{-0.12}	0.3
B-GE15C	15 ⁰ _{-0.008}	22 ⁰ _{-0.04}	5 ⁰ _{-0.12}	0.3
B-GE17C	17 ⁰ _{-0.008}	25 ⁰ _{-0.04}	5 ⁰ _{-0.12}	0.3
B-GE20C	20 ⁰ _{-0.010}	29 ⁰ _{-0.04}	5 ⁰ _{-0.12}	0.3
B-GE25C	25 ⁰ _{-0.010}	35.5 ⁰ _{-0.04}	5 ⁰ _{-0.12}	0.6
B-GE30C	30 ⁰ _{-0.010}	40.7 ⁰ _{-0.04}	5 ⁰ _{-0.12}	0.6

All dimensions are in MM.

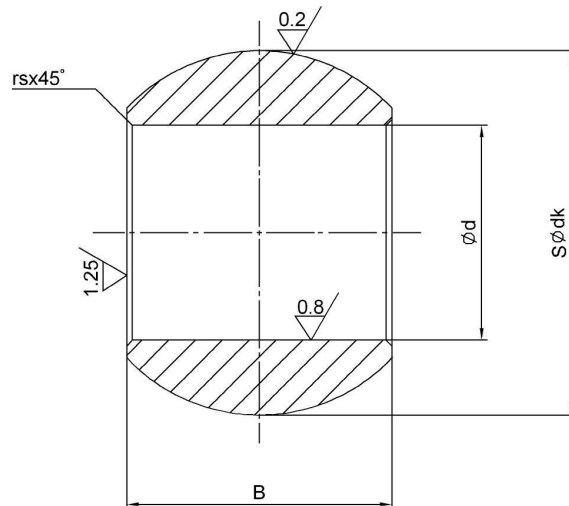
B-COM..

Material: Gcr15, ball surface polished,
with or without hard chrome plating
are optional

Heat treatment: HRC58~64;

Stainless steel 440C is optional

Can custom made per customer's request.



Bearing No.	Dim $d \begin{smallmatrix} +0.037 \\ -0.013 \end{smallmatrix}$	$dk \begin{smallmatrix} 0 \\ -0.03 \end{smallmatrix}$	$B \pm 0.013$	$rs \begin{smallmatrix} min \end{smallmatrix}$
B-COM3	4.826	10.31	7.14	0.4
B-COM4	6.350	12.70	8.71	0.4
B-COM5	7.938	14.27	9.53	0.6
B-COM6	9.525	16.66	10.31	0.7
B-COM7	11.112	17.45	11.10	0.7
B-COM8	12.700	20.65	12.70	0.7
B-COM9	14.288	23.01	14.27	0.8
B-COM10	15.875	25.40	15.88	0.8
B-COM12	19.050	30.15	19.05	0.8
B-COM14	22.225	33.33	22.23	0.8
B-COM16	25.400	38.10	25.40	0.8

All dimensions are in MM.