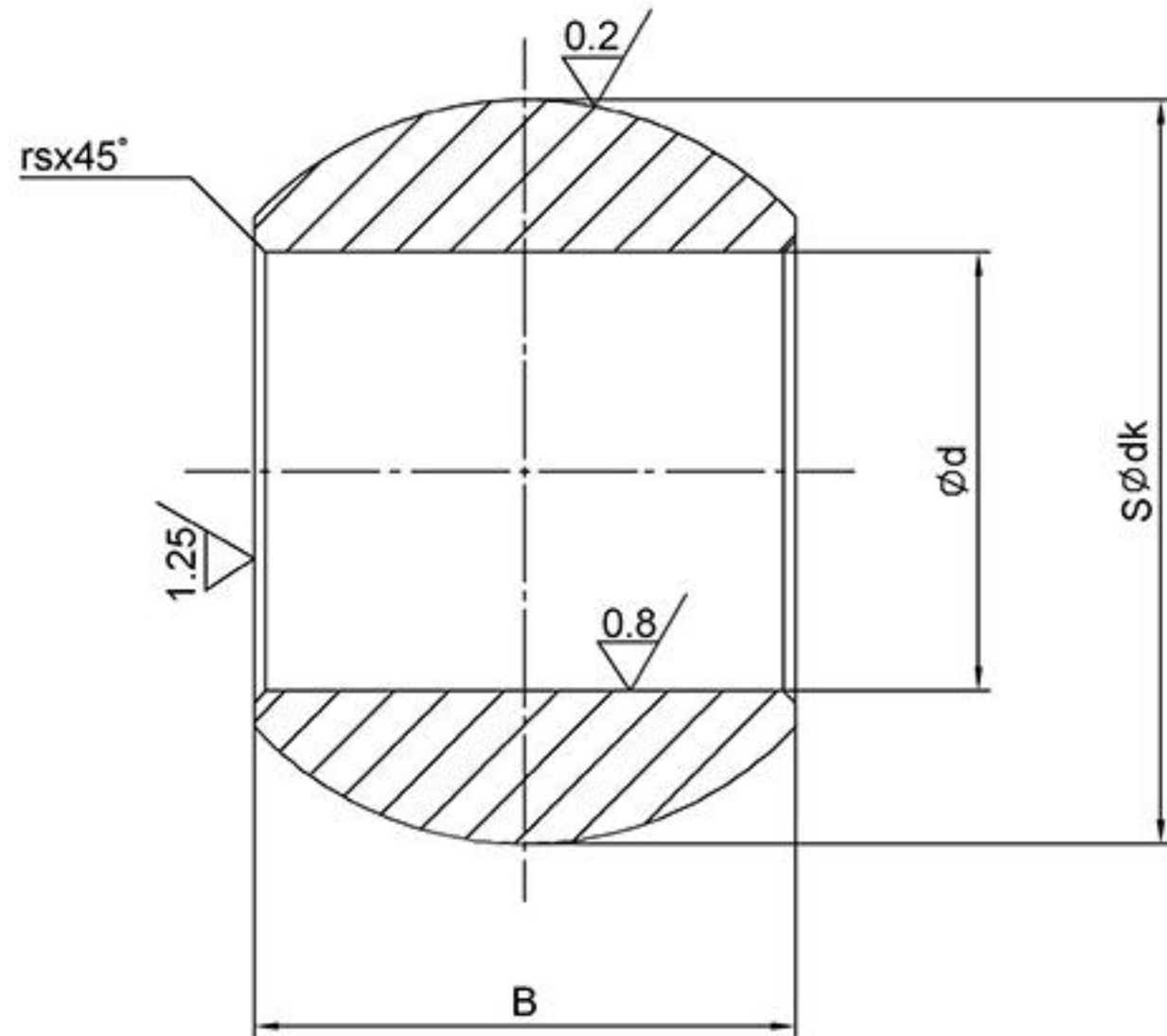


TK..

Material: Gcr15, ball surface polished,
with or without hard chrome plating
are optional

Heat treatment: HRC58~64;
Stainless steel 440C is optional

Can custom made per customer's request.



Bearing No.	Dim	d	dk	B	rs min
TK5		$5^{+0.012}_0$	$11.11^{0}_{-0.03}$	$8^{0}_{-0.12}$	0.3
TK6		$6^{+0.012}_0$	$12.7^{0}_{-0.03}$	$9^{0}_{-0.12}$	0.3
TK8		$8^{+0.015}_0$	$15.88^{0}_{-0.03}$	$12^{0}_{-0.12}$	0.3
TK10		$10^{+0.015}_0$	$19.05^{0}_{-0.03}$	$14^{0}_{-0.12}$	0.6
TK12		$12^{+0.018}_0$	$22.23^{0}_{-0.03}$	$16^{0}_{-0.12}$	0.6
TK14		$14^{+0.018}_0$	$25.4^{0}_{-0.04}$	$19^{0}_{-0.12}$	0.6
TK16		$16^{+0.018}_0$	$28.58^{0}_{-0.04}$	$21^{0}_{-0.12}$	0.6
TK18		$18^{+0.018}_0$	$31.75^{0}_{-0.04}$	$23^{0}_{-0.12}$	0.6
TK20		$20^{+0.021}_0$	$34.93^{0}_{-0.04}$	$25^{0}_{-0.12}$	0.6
TK22		$22^{+0.021}_0$	$38.1^{0}_{-0.04}$	$28^{0}_{-0.12}$	0.6
TK25		$25^{+0.021}_0$	$42.86^{0}_{-0.04}$	$31^{0}_{-0.12}$	0.6
TK28		$28^{+0.021}_0$	$47.63^{0}_{-0.04}$	$35^{0}_{-0.12}$	0.6
TK30		$30^{+0.021}_0$	$50.8^{0}_{-0.04}$	$37^{0}_{-0.12}$	0.6

All dimensions are in MM.