

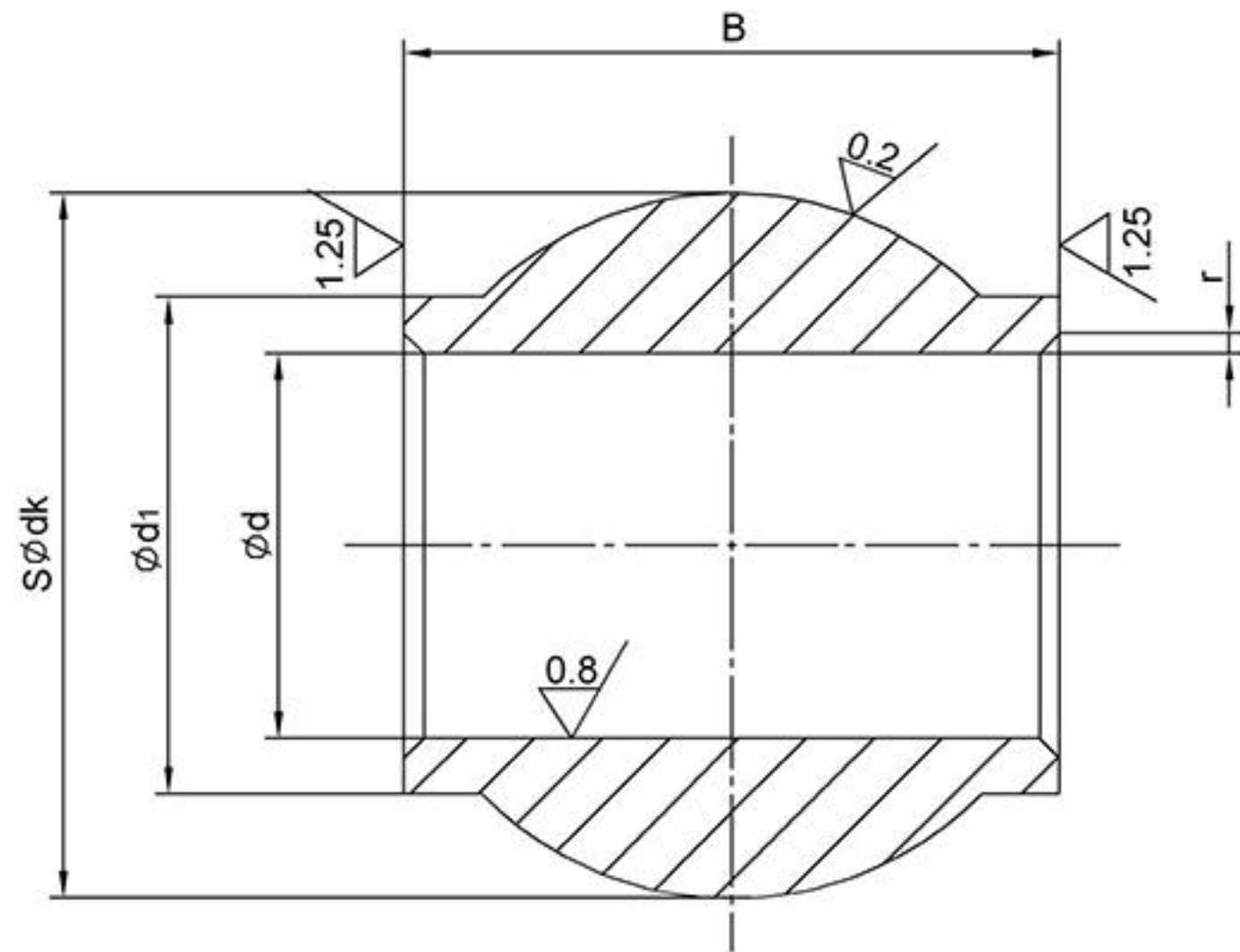
HJMX..

Material: Gcr15, ball surface polished,
hard chrome plated

Heat treatment: HRC58~64;

Stainless steel 440C is optional

Can custom made per customer's request.



Bearing No.	Dim	$d \begin{smallmatrix} 0 \\ -0.013 \end{smallmatrix}$	d1	$dK \begin{smallmatrix} 0 \\ -0.03 \end{smallmatrix}$	$B \begin{smallmatrix} 0 \\ -0.12 \end{smallmatrix}$	rs min
HJMX6		9.525	13.00	19.84	20.65	0.7
HJMX7		11.110	15.70	22.23	22.23	0.7
HJMX8		12.700	18.54	25.40	23.80	0.7
HJMX10		15.875	21.74	31.75	30.48	0.8
HJMX12		19.050	24.64	34.93	32.51	0.8

All dimensions are in MM.