

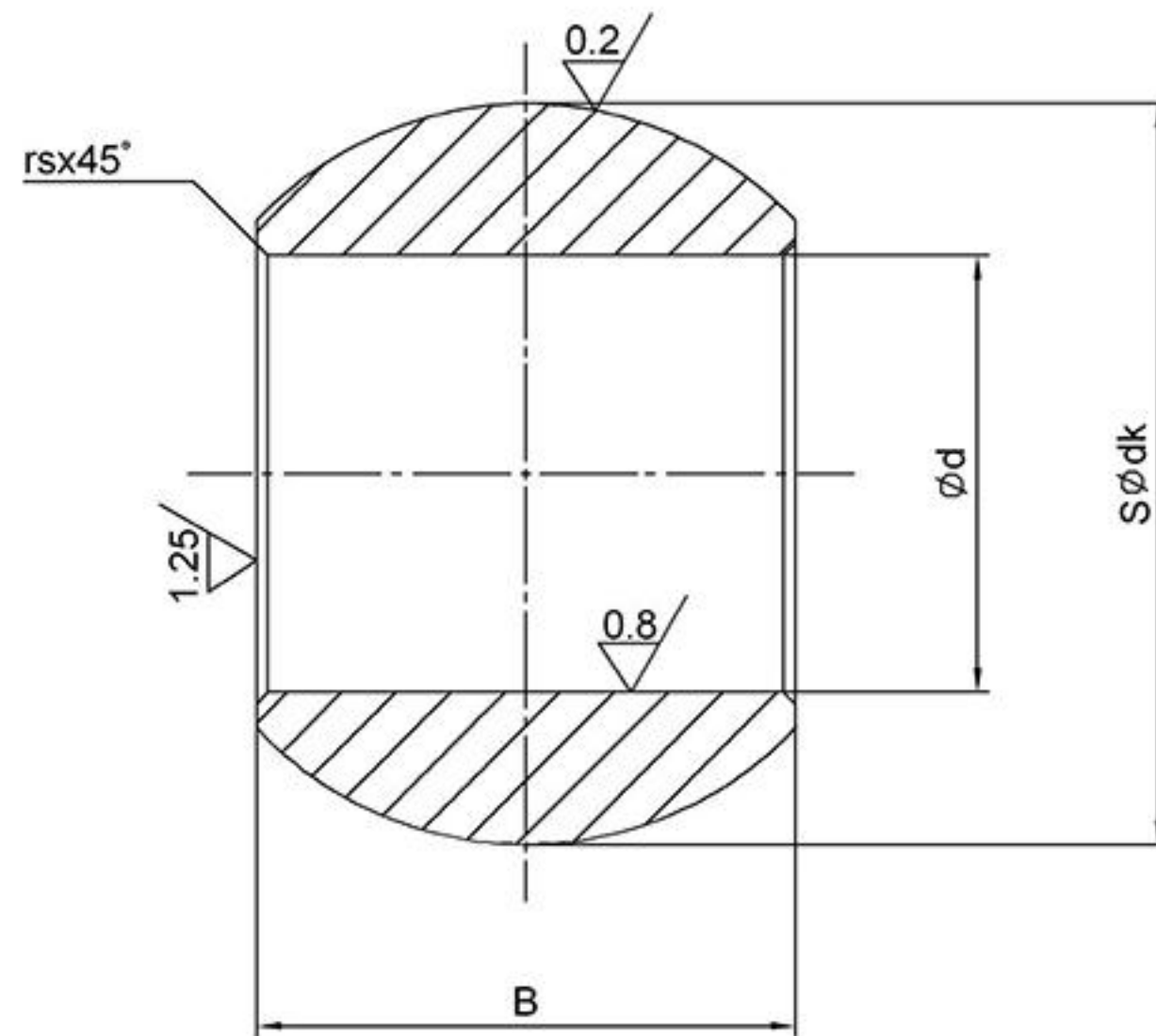
CBL..DP

Material: Gcr15, ball surface polished,
with or without hard chrome plating
are optional

Heat treatment: HRC58~64;

Stainless steel 440C is optional

Can custom made per customer's request.



Bearing No.	Dim $d \begin{smallmatrix} +0.037 \\ -0.013 \end{smallmatrix}$	$dk \begin{smallmatrix} 0 \\ -0.03 \end{smallmatrix}$	$B \begin{smallmatrix} 0 \\ -0.012 \end{smallmatrix}$	rs min
CBL3DP	4.826	11.110	7.92	0.4
CBL4DP	6.350	12.700	9.53	0.4
CBL5DP	7.938	15.875	11.10	0.4
CBL6DP	9.525	18.256	12.70	0.7
CBL7DP	11.110	20.625	14.27	0.7
CBL8DP	12.700	23.812	15.88	0.7
CBL10DP	15.875	28.575	19.05	0.8
CBL12DP	19.050	33.338	22.23	0.8
CBL16DP	25.400	47.625	25.40	0.8

All dimensions are in MM.