

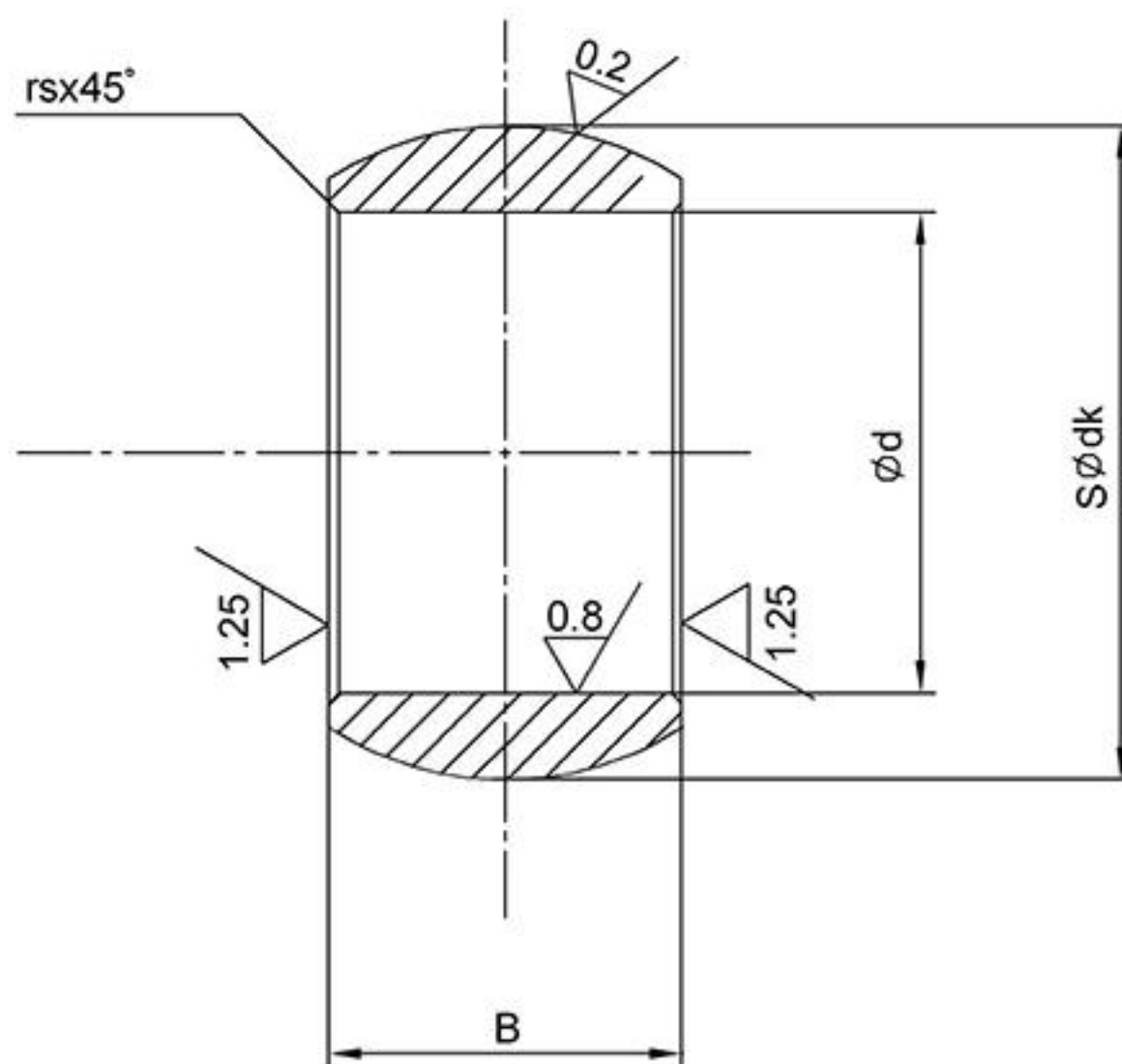
B-GE..C

Material: Gcr15, ball surface polished,
hard chrome plated

Heat treatment: HRC58~64;

Stainless steel 440C is optional

Can custom made per customer's request.



Bearing No.	Dim d	dk	B	rs min
B-GE4C	4 ⁰ _{-0.008}	8 ⁰ _{-0.03}	5 ⁰ _{-0.12}	0.3
B-GE5C	5 ⁰ _{-0.008}	10 ⁰ _{-0.03}	5 ⁰ _{-0.12}	0.3
B-GE6C	6 ⁰ _{-0.008}	10 ⁰ _{-0.03}	5 ⁰ _{-0.12}	0.3
B-GE8C	8 ⁰ _{-0.008}	13 ⁰ _{-0.04}	5 ⁰ _{-0.12}	0.3
B-GE10C	10 ⁰ _{-0.008}	16 ⁰ _{-0.04}	5 ⁰ _{-0.12}	0.3
B-GE12C	12 ⁰ _{-0.008}	18 ⁰ _{-0.04}	5 ⁰ _{-0.12}	0.3
B-GE15C	15 ⁰ _{-0.008}	22 ⁰ _{-0.04}	5 ⁰ _{-0.12}	0.3
B-GE17C	17 ⁰ _{-0.008}	25 ⁰ _{-0.04}	5 ⁰ _{-0.12}	0.3
B-GE20C	20 ⁰ _{-0.010}	29 ⁰ _{-0.04}	5 ⁰ _{-0.12}	0.3
B-GE25C	25 ⁰ _{-0.010}	35.5 ⁰ _{-0.04}	5 ⁰ _{-0.12}	0.6
B-GE30C	30 ⁰ _{-0.010}	40.7 ⁰ _{-0.04}	5 ⁰ _{-0.12}	0.6

All dimensions are in MM.

