

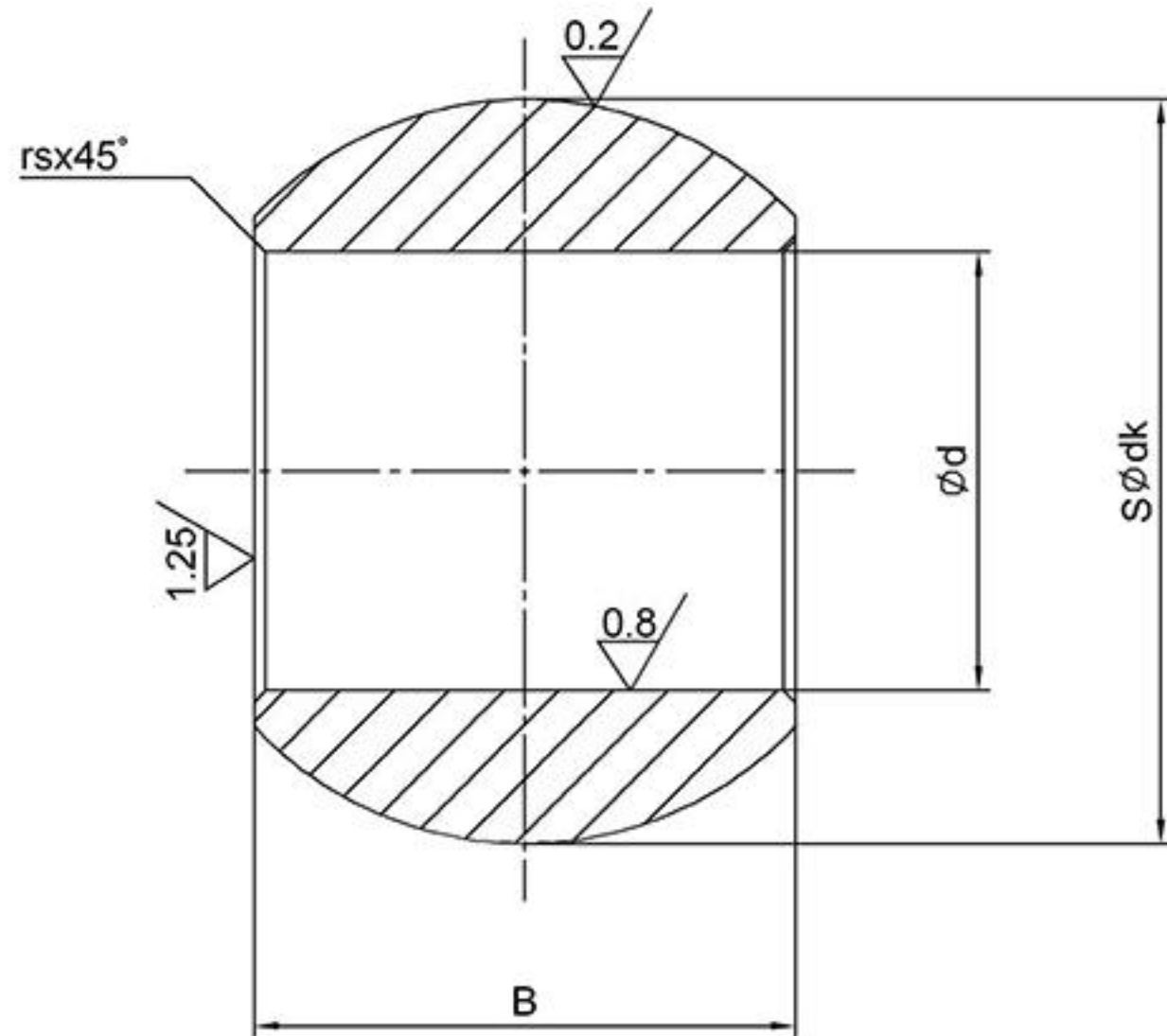
B-COM..

Material: Gcr15, ball surface polished,
with or without hard chrome plating
are optional

Heat treatment: HRC58~64;

Stainless steel 440C is optional

Can custom made per customer's request.



Dim Bearing No.	$d^{+0.037}_{-0.013}$	$dk^0_{-0.03}$	$B \pm 0.013$	rs min
B-COM3	4.826	10.31	7.14	0.4
B-COM4	6.350	12.70	8.71	0.4
B-COM5	7.938	14.27	9.53	0.6
B-COM6	9.525	16.66	10.31	0.7
B-COM7	11.112	17.45	11.10	0.7
B-COM8	12.700	20.65	12.70	0.7
B-COM9	14.288	23.01	14.27	0.8
B-COM10	15.875	25.40	15.88	0.8
B-COM12	19.050	30.15	19.05	0.8
B-COM14	22.225	33.33	22.23	0.8
B-COM16	25.400	38.10	25.40	0.8

All dimensions are in MM.

