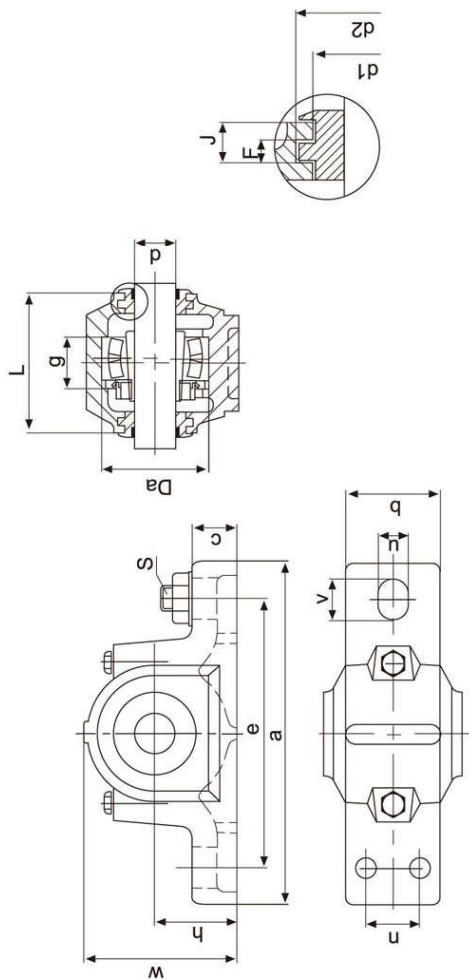


Plummer Blocks LDK®

Plummer Blocks SNG500



Housing No.	Shaft dia.	Dimensions (mm)																		Housing		Bearing No	Adapter Sleeve	Locating Ring	
		H	a	e	b	u	v	c	w	L	d ₁	d ₂	n	J	F	g	Da	S	Wt	Qty	Number			QTY	
SNG507-606	30	50	185	150	52	13	20	22	92	82	46.5	54.5	7.5	5	34	72	M10	(4)	2.6	1207K	H207	SR72x8.5	2		
SNG508-607	35	60	205	170	60	15	20	25	106	85	51.5	59.5	7.5	5	39	80	M12	(4)	3.2	1208K	H208	SR80x10.5	2		
SNG509	40	60	205	170	60	15	20	25	109	85	56.9	64.9	8.5	5	30	85	M12	(4)	3.6	1209K	H209	SR80x8	2		
SNG510-608	45	60	205	170	60	15	20	25	112	90	62	70.5	8.5	5	41	90	M12	(4)	3.9	1210K	H210	SR85x5.5	2		
SNG511-609	50	70	255	210	70	18	23	28	127	95	67	75.5	8.5	5	44	100	M16	(4)	5.2	1211K	H211	SR90x9	2		
SNG512-610	55	70	255	210	70	18	23	30	133	105	72	80.5	8.5	5	48	110	M16	(4)	6.7	1212K	H212	SR100x11.5	2		
SNG513-611	60	80	275	230	80	18	24	30	148	110	77	85.5	8.5	5	51	120	M16	(4)	7.9	1213K	H213	SR100x9.5	2		
SNG515-612	65	80	280	230	80	18	26	32	154	115	87	95.5	8.5	5	56	130	M16	(4)	8.6	1215K	H215	SR120x14	2		
SNG516-613	70	95	315	260	90	22	29	32	175	120	92.5	101	10.5	5	58	140	M20	(4)	11.0	1216K	H216	SR120x10	2		
SNG517	75	95	320	260	90	22	30	35	181	125	97.5	106	10.5	5	61	150	M20	(4)	12.0	1217K	H217	SR130x15.5	2		
SNG518-615	80	100	345	290	100	22	27	35	192	140	102.5	111	10.5	5	65	160	M20	(4)	15.0	1218K	H218	SR130x12.5	2		
SNG519-616	85	112	345	290	100	22	27	40	209	145	131	141	11.5	6	68	170	M20	(4)	16.0	1219K	H219	SR140x16	2		
SNG520-617	90	112	380	320	110	26	32	45	215	160	137.5	147.5	11.5	6	70	180	M24	(4)	18.0	1220K	H220	SR140x12.5	2		
SNG522-619	100	125	410	350	120	26	32	45	239	175	147.5	157.5	11.5	6	80	200	M24	(4)	28.0	1222K	H222	SR160x17.5	2		
SNG524-620	110	140	410	350	120	26	32	45	271	185	157.5	167.5	11.5	6	86	215	M24	(4)	36.0	1222K	H222	SR160x12.5	1		
SNG526	115	150	445	380	130	28	35	50	290	190	167.5	177.5	13	6	90	230	M24	(4)	47.0	1222K	H222	SR170x18	2		
SNG528	125	150	500	420	150	35	42	50	302	205	177.5	187.5	13	6	98	250	M30	(4)	49.0	1222K	H222	SR170x12.5	2		
SNG530	135	160	530	450	160	35	42	60	323	220	192.5	202.5	13.5	6	106	270	M30	(4)	57.0	1222K	H222	SR200x21	2		
SNG532	140	170	550	470	160	35	42	60	344	235	202.5	212.5	13.5	6	114	290	M24	(4)	64.0	1222K	H222	SR200x10.2	1		