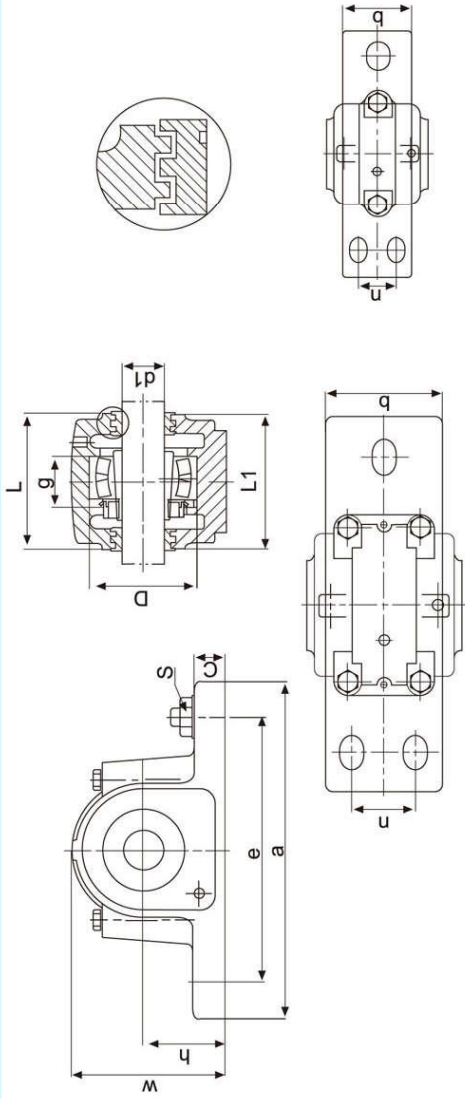


LDK® Plummer Blocks

Plummer Blocks SAF500



Housing No.	Shaft dia.	Dimensions (mm)													Housing		Bearing No	Adapter Sleeve	Locating Ring	
		D _{H8}	g _{H12}	h _{H12}	w	L	L ₁	a	b	c	e _{max}	e _{min}	n	S	(2)	(4)			Wt Kg	Number
SAF505	3/4	52	25	38.1	75	70	73	165	45	18	139.7	118	M12	M12		1.8	HA205	FR52x5	2	
SAF506	15/16	62	30	44.5	86	78	83	191	51	18	155	133	M12	M12		2.2	HA305	FR52x7	2	
SAF507	1-3/16	72	33	50.8	97	81	83	191	51	21	156	143	M12	M12		2.7	HA206	FR62x7	1	
SAF509	1-7/16	85	31	57.2	111	87	92	210	61	21	178	159	M12	M12		3.9	HA306	FR62x10	1	
SAF510	1-11/16	90	33	63.5	121	87	99	210	61	24	178	165	M12	M12		4.3	HA207	FR72x8	2	
SAF511	1-15/16	100	33	69.9	133	95	114	245	70	24	200	188	M16	M16		5	HA307	FR72x10	1	
SAF513	2-3/16	120	41	76.2	151	108	114	279	80	25	241	206	M16	M16	M12	7.7	HA209	FR85x6	2	
SAF515	2-7/16	130	41	82.6	162	118	121	286	80	29	245	219	M16	M16	M12	8.7	HA309	FR85x8	1	
SAF516	2-11/16	140	43	88.9	175	121	124	330	89	30	279	245	M20	M20	M16	11.6	HA309	FR90x6.5	2	
SAF517	2-15/16	150	46	95.3	186	122	127	330	89	32	279	251	M20	M20	M16	12.3	HA310	FR90x10	1	
SAF518	3-3/16	160	50	101.6	197	140	146	349	99	33	295	264	M20	M20	M16	15.4	HA210	FR100x6	2	
SAF520	3-7/16	180	58	114.3	222	148	152	387	111	45	333	295	M24	M24	M20	27.3	HA311	FR100x8	1	
SAF522	3-15/16	200	63	125.4	245	164	165	419	121	51	368	321	M20	M20	M20	35	HA312	FR100x10	1	
SAF524	4-3/16	215	68	133.4	260	181	188	419	121	54	368	337	M20	M20	M20	43.2	HA313	FR120x8	1	
SAF526	4-7/16	230	74	152.4	292	197	203	467	130	61	406	372	M24	M24	M24	58.6	HA314	FR120x10	1	
SAF528	4-15/16	250	78	152.4	298	187	194	511	149	61	435	406	M24	M24	M24	67	HA315	FR150x10	1	
SAF530	5-3/16	270	83	160.4	318	207	213	540	159	64	464	432	M24	M24	M24	76.8	HA316	FR150x10	1	
SAF532	5-7/16	290	90	169.9	338	216	222	559	159	67	489	453	M24	M24	M24	81.3	HA317	FR180x10	1	
SAF534	5-15/16	310	96	179.4	360	235	245	629	172	70	549	492	M24	M24	M24	104.5	HA318	FR180x10	1	
SAF536	6-7/16	320	96	190.5	378	245	254	680	181	76	600	530	M30	M30	M30	117.6	HA319	FR180x10	1	
SAF538	6-15/16	340	102	200	398	267	273	711	191	80	619	549	M30	M30	M30	135	HA320	FR200x10	1	
SAF540	7-3/16	360	108	209.6	419	279	286	749	203	86	635	572	M30	M30	M30	167.5	HA321	FR200x10	1	
SAF544	7-15/16	400	118	241.3	473	298	305	832	222	95	708	629	M30	M30	M30	230.2	HA322	FR200x10	1	
SAF524	4-3/16	215	68	133.4	260	181	188	419	121	54	368	337	M20	M20	M20	43.2	HA323	FR250x10	1	
SAF526	4-7/16	230	74	152.4	292	197	203	467	130	61	406	372	M24	M24	M24	58.6	HA324	FR250x10	1	
SAF528	4-15/16	250	78	152.4	298	187	194	511	149	61	435	406	M24	M24	M24	67	HA325	FR250x10	1	
SAF530	5-3/16	270	83	160.4	318	207	213	540	159	64	464	432	M24	M24	M24	76.8	HA326	FR290x10	1	
SAF532	5-7/16	290	90	169.9	338	216	222	559	159	67	489	453	M24	M24	M24	81.3	HA327	FR290x10	1	
SAF534	5-15/16	310	96	179.4	360	235	245	629	172	70	549	492	M24	M24	M24	104.5	HA328	FR300x10	1	
SAF536	6-7/16	320	96	190.5	378	245	254	680	181	76	600	530	M30	M30	M30	117.6	HA329	FR300x10	1	
SAF538	6-15/16	340	102	200	398	267	273	711	191	80	619	549	M30	M30	M30	135	HA330	FR340x10	1	
SAF540	7-3/16	360	108	209.6	419	279	286	749	203	86	635	572	M30	M30	M30	167.5	HA331	FR340x10	1	
SAF544	7-15/16	400	118	241.3	473	298	305	832	222	95	708	629	M30	M30	M30	230.2	HA332	FR400x10	1	