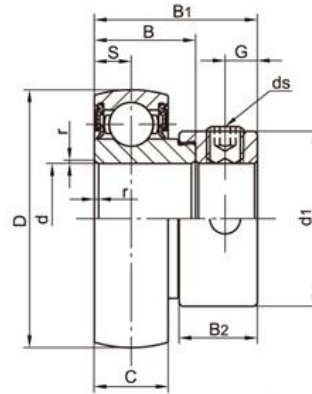


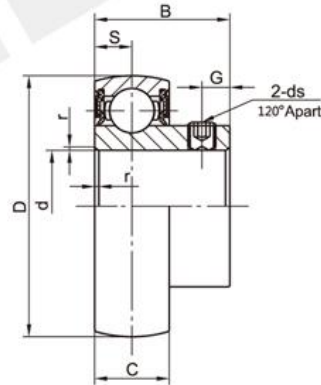
LDK[®] Silver Series

K/U Setscrew/Eccentric locking



U000 Series

Bearing No.	Shaft d(mm)	Dimensions(mm)										Basic Load Rating kgf		Weight (kg)
		D	B	C	S	B ₁	B ₂	d ₁	r	G	ds	Dynamic Cr	Static Cor	
U 000	10	26	11	8	4	17.5	8.5	17	0.7	3.5	M4X0.7	4.60	1.96	0.03
U 001	12	28	11	8	4	17.5	8.5	19	0.7	3.5	M4X0.7	5.09	2.4	0.04
U 002	15	32	12	9	4.5	18.5	8.5	22	0.7	3.5	M4X0.7	5.58	2.84	0.05
U 003	17	35	13.5	10	5	20.5	9.5	25	0.8	3.5	M4X0.7	5.97	3.28	0.07
U 004	20	42	16.5	12	6	24.5	11	30	1.3	3.8	M5X0.8	9.35	5.04	0.11
U 005	25	47	17.5	12	6	25.5	12	36	1.3	4	M5X0.8	10.09	5.83	0.15
U 006	30	55	18.5	13	6.5	26.5	12	42	1.5	4	M5X0.8	13.23	8.28	0.21

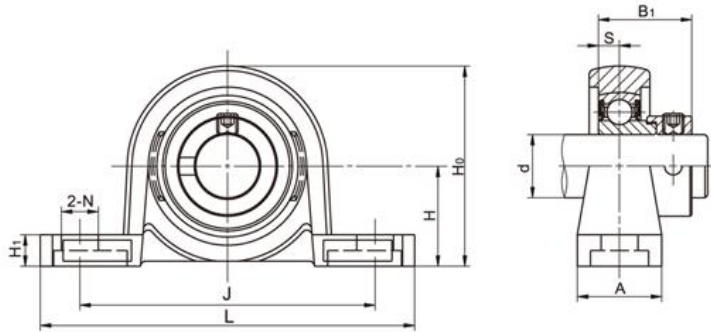


K000 Series

Bearing No.	Shaft d(mm)	Dimensions(mm)							Basic Load Rating kgf		Weight (kg)
		D	B	C	S	r	G	ds	Dynamic Cr	Static Cor	
K 000	10	26	14	8	4	0.7	3	M3x0.35	4.6	1.96	0.03
K 001	12	28	14.5	8	4	0.7	3	M3x0.35	5.09	2.4	0.04
K 002	15	32	16.5	9	4.5	0.7	3.5	M4X0.5	5.58	2.84	0.05
K 003	17	35	17.5	10	5	0.8	3.5	M4X0.5	5.97	3.28	0.07
K 004	20	42	21	12	6	1.3	4	M5X0.5	9.35	5.04	0.11
K 005	25	47	22.5	12	6	1.3	4.5	M5X0.5	10.09	5.83	0.15
K 006	30	55	24.5	13	6.5	1.5	5	M5X0.5	13.23	8.28	0.21

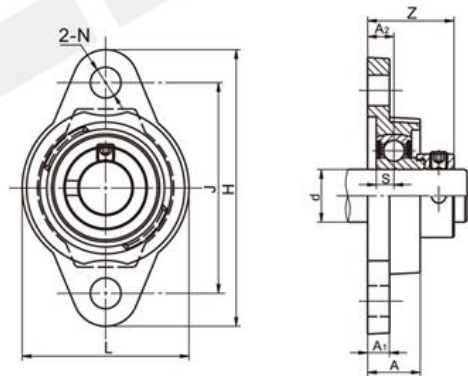
Silver Series LDK[®]

UP/UFL Setscrew/Eccentric locking, Pillow block/2-Bolt flange



UP000 Series

Unit No.	Shaft d(mm)	Dimensions(mm)									Bolt Size mm	Bearing No.	Housing No.	Weight (kg)
		H	L	J	A	H1	H0	N	S	B1				
UP000	10	18	67	53	16	6	35	7	4	17.7	M6	U000	P000	0.08
UP001	12	19	71	56	16	6	38	7	4	17.7	M6	U001	P001	0.10
UP002	15	22	80	63	16	7	43	7	4.5	18.7	M6	U002	P002	0.14
UP003	17	24	85	67	18	7	47	7	5	20.7	M6	U003	P003	0.17
UP004	20	28	100	80	20	9	55	10	6	24.2	M8	U004	P004	0.26
UP005	25	32	112	90	20	10	62	10	6	25	M8	U005	P005	0.33
UP006	30	36	132	106	26	11	70	13	6.5	26	M10	U006	P006	0.50

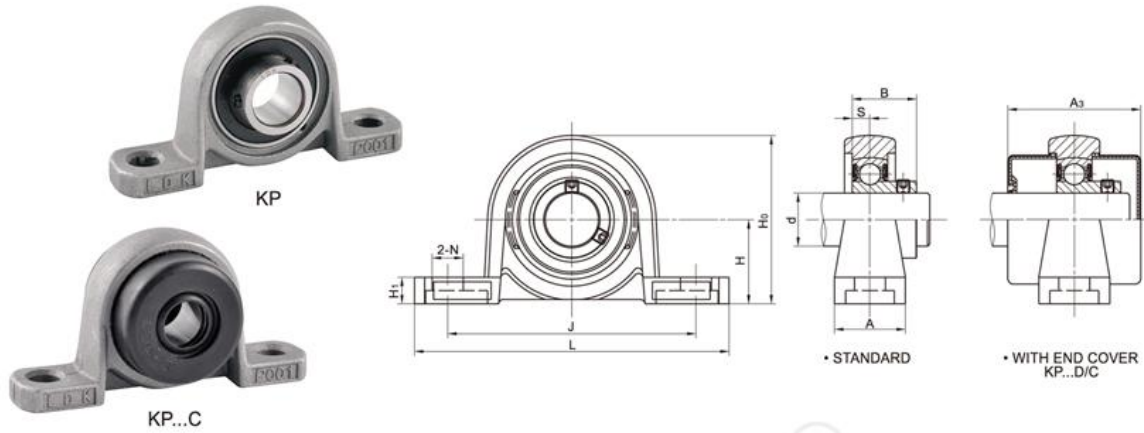


UFL000 Series

Unit No.	Shaft d(mm)	Dimensions(mm)									Bolt Size mm	Bearing No.	Housing No.	Weight (kg)
		H	J	A2	A1	A	N	L	S	z				
UFL000	10	60	45	6	6	12	7	36	4	19.7	M6	U000	FL000	0.07
UFL001	12	63	48	6	6	12	7	38	4	19.7	M6	U001	FL001	0.08
UFL002	15	67	53	6.5	6.5	13	7	42	4.5	20.7	M6	U002	FL002	0.11
UFL003	17	71	56	7	7	14	7	46	5	22.7	M6	U003	FL003	0.14
UFL004	20	90	71	8	8	16	10	55	6	26.2	M8	U004	FL004	0.23
UFL005	25	95	75	8	8	16	10	60	6	27	M8	U005	FL005	0.27
UFL006	30	112	85	9	9	18	13	70	6.5	28.5	M10	U006	FL006	0.39

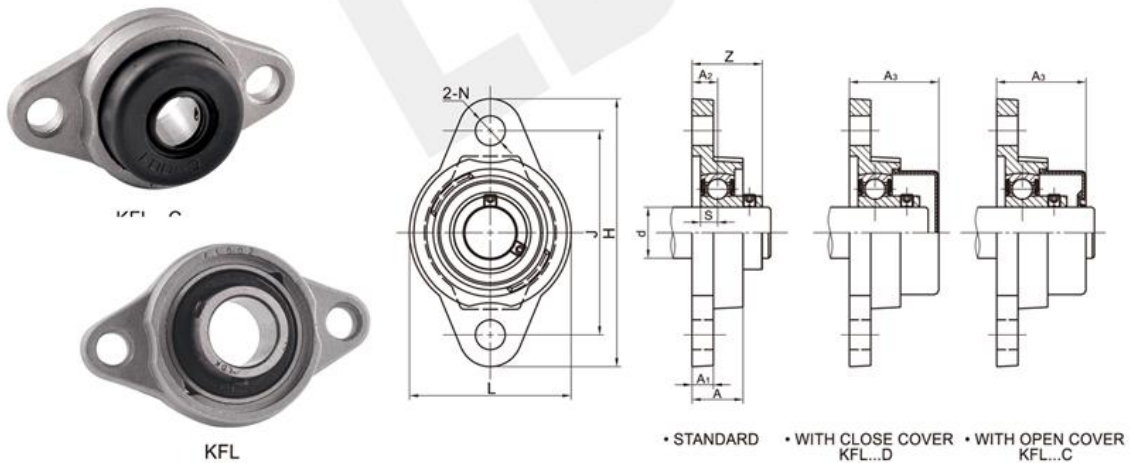
LDK[®] Silver Series

KP/KFL Setscrew/Eccentric locking, Pillow block/2-Bolt flange, With close/open covers



KP000 Series

Unit No.	Shaft d(mm)	Dimensions(mm)											Bolt Size mm	Bearing No.	Housing No.	Weight (kg)
		H	L	J	A	H1	H0	N	S	B	A3					
KP000	10	18	67	53	16	6	35	7	4	14	28.3	M6	K000	P000	0.08	
KP001	12	19	71	56	16	6	38	7	4	14.5	30	M6	K001	P001	0.1	
KP002	15	22	80	63	16	7	43	7	4.5	16.5	33	M6	K002	P002	0.14	
KP003	17	24	85	67	18	7	47	7	5	17.5	36	M6	K003	P003	0.17	
KP004	20	28	100	80	20	9	55	10	6	21	40	M8	K004	P004	0.25	
KP005	25	32	112	90	20	10	62	10	6	22.5	41	M8	K005	P005	0.33	
KP006	30	36	132	106	26	11	70	13	6.5	24.5	43	M10	K006	P006	0.5	



KFL000 Series

Unit No.	Shaft d(mm)	Dimensions(mm)											Bolt Size mm	Bearing No.	Housing No.	Weight (kg)
		H	J	A2	A1	A	N	L	S	z	A3					
KFL000	10	60	45	6	6	12	7	36	4	16	20.3	M6	K000	FL000	0.07	
KFL001	12	63	48	6	6	12	7	38	4	16.5	21	M6	K001	FL001	0.08	
KFL002	15	67	53	6.5	6.5	13	7	42	4.5	18.5	23	M6	K002	FL002	0.11	
KFL003	17	71	56	7	7	14	7	46	5	19.5	25	M6	K003	FL003	0.14	
KFL004	20	90	71	8	8	16	10	55	6	23	28	M8	K004	FL004	0.23	
KFL005	25	95	75	8	8	16	10	60	6	24.5	28.5	M8	K005	FL005	0.27	
KFL006	30	112	85	9	9	18	13	70	6.5	27	30.5	M10	K006	FL006	0.39	

Suffix D for close cover, ordering example D002.
 Suffix C for close cover, ordering example C002.