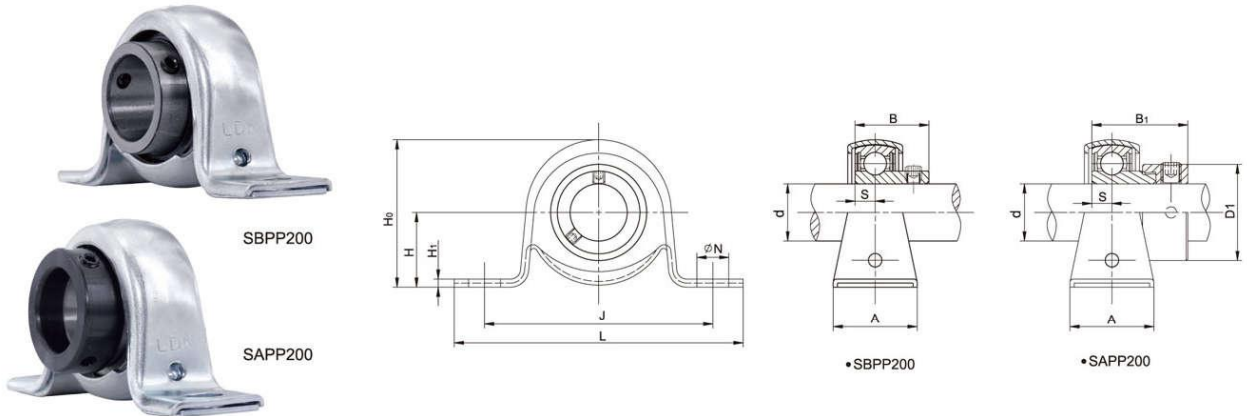


# LDK<sup>®</sup> Stamped Steel Housed Units

## SBPP200/SAPP200 Light duty, Setscrew/Eccentric locking



### SBPP200 Series

Unit No.	Shaft Dia d		Dimensions(mm)									Bolt Size (mm)	Weight (kg)	
	(in)	(mm)	L	J	H	H <sub>1</sub>	H <sub>0</sub>	N	A	B	S			
SBPP 201		12												
201-8	1/2	15												
202		15	86	68	22.2	2.4	43.4	9.5	25	22	6	M8	0.15	
202-10	5/8	17												
203		17												
203-11	11/16													
SBPP 204		20												
204-12	3/4	20	98	76	25.4	3	50.4	9.5	30	25	7	M8	0.22	
SBPP 205		25												
205-14	7/8	25												
205-15	15/16	25	108	86	28.6	4	56.5	11.5	32	27	7.5	M10	0.31	
205-16	1													
SBPP 206		30												
206-18	1-1/8	30												
206-19	1-3/16	30	117	95	33.3	4	66.3	11.5	38	30	8	M10	0.43	
206-20	11/4													
SBPP 207		35												
207-20	1-1/4	35												
207-21	1-5/16	35	130	106	39.7	5	78.2	11.5	43	32	8.5	M10	0.63	
207-22	1-3/8													
207-23	1-7/16													
SBPP 208		40												
208-24	1-1/2	40												
208-25	1-9/16	40	148	120	43.7	5	85.8	12	43.5	34	9	M10	0.9	
SBPP 209		45												
209-26	1-5/8	45												
209-27	1-11/16	45	156	128	46.8	6	92.3	13	45.7	36	9.5	M10	1.20	
209-28	1-3/4													

### SAPP200 Series

Unit No.	Shaft Dia d		Dimensions(mm)									Bolt Size		Weight (kg)
	(in)	(mm)	L	J	H	H <sub>1</sub>	H <sub>0</sub>	N	A	d <sub>1</sub>	B <sub>1</sub>	S	(mm)	
SAPP 201		12												
201-8	1/2	15												
202		15	86	68	22.2	2.4	43.4	9.5	25	28.6	28.6	6	M8	1/4
202-10	5/8	17												
203		17												
203-11	11/16													
SAPP 204		20												
204-12	3/4	20	98	76	25.4	3	50.4	9.5	30	33.3	31	7	M8	5/16
SAPP 205		25												
205-14	7/8	25												
205-15	15/16	25	108	86	28.6	4	56.5	11.5	32	38.1	31.5	7.5	M10	5/16
205-16	1													
SAPP 206		30												
206-18	1-1/8	30												
206-19	1-3/16	30	117	95	33.3	4	66.3	11.5	38	44.5	35.7	8	M10	3/8
206-20	11/4													
SAPP 207		35												
207-20	1-1/4	35												
207-21	1-5/16	35	130	106	39.7	5	78.2	11.5	43	55.6	38.9	8.5	M10	3/8
207-22	1-3/8													
207-23	1-7/16													
SAPP 208		40												
208-24	1-1/2	40												
208-25	1-9/16	40	148	120	43.7	5	85.8	12	43.5	60.3	43.7	9	M10	1/2
SAPP 209		45												
209-26	1-5/8	45												
209-27	1-11/16	45	156	128	46.8	6	92.3	13	45.7	63.5	43.7	9.5	M10	1/2
209-28	1-3/4													