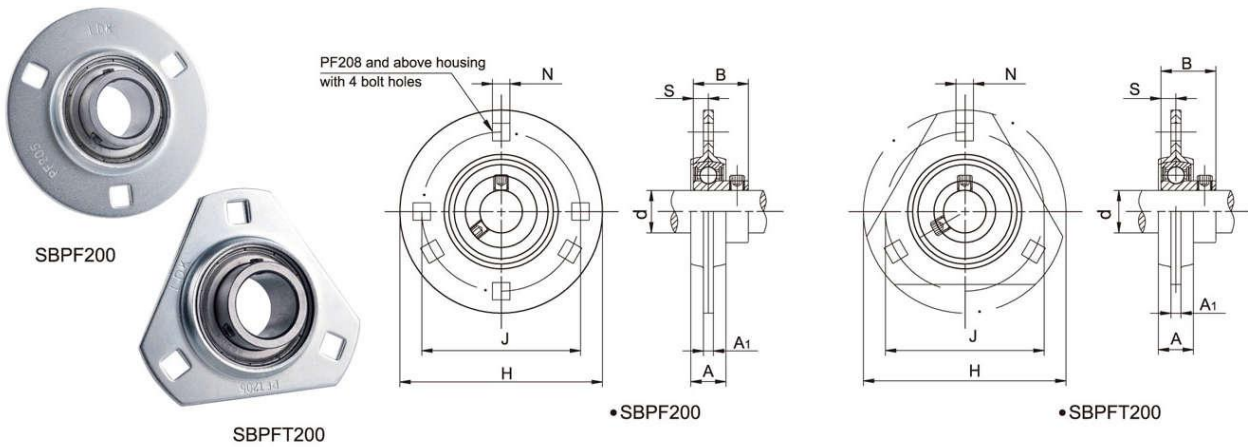


# Stamped Steel Housed Units **LDK**<sup>®</sup>

## SBPF200/SBPFT200 Light duty, Setscrew locking, 3-Bolt flange housing



Unit No.	Shaft Dia d		Dimensions(mm)								Bolt Size		Weight (kg)
	(in)	(mm)	H	J	A	A <sub>1</sub>	N	B	S	(mm)	(in)		
201		12											
201-8	1/2	12											
202		15	81	63.5	14	4	7	22	6	M6	1/4	0.23	
202-10	5/8	15											
203		17											
203-11	11/16	17											
204		20	90	71	16	4	9	25	7	M8	5/16	0.26	
204-12	3/4	20											
205		25	95	76	18	4	9	27	7.5	M8	5/16	0.35	
205-14	7/8	25											
205-15	15/16	25											
205-16	1	25											
206		30	113	90	18	5	11	30	8	M10	3/8	0.46	
206-18	1-1/8	30											
206-19	1-3/16	30											
206-20	1-1/4	30											
207		35	122	100	20	5	11	32	8.5	M10	3/8	0.73	
207-20	1-1/4	35											
207-21	1-5/16	35											
207-22	1-3/8	35											
207-23	1-7/16	35											
208		40	148	119	23	7	13.5	34	9	M12	1/2	0.94	
208-24	1-1/2	40											
208-25	1-9/16	40											
209		45	150	120.5	23	7	13.5	36	9.5	M12	1/2	1.44	
209-26	1-5/8	45											
209-27	1-11/16	45											
209-28	1-3/4	45											
210		50	157	127	25	8	13.5	38	10	M12	1/2	1.63	
210-30	1-7/8	50											
210-31	1-15/16	50											
211		55	168	138	26	8	13.5	40	10.5	M12	1/2	1.9	
211-32	2	55											
211-34	2-1/8	55											
211-35	2-3/16	55											
212		60	177	148	28	8	13.5	42	11	M12	1/2	2.1	
212-36	2-1/4	60											
212-38	2-3/8	60											
212-39	2-7/16	60											

PF208~212 with 4 bolt holes.