

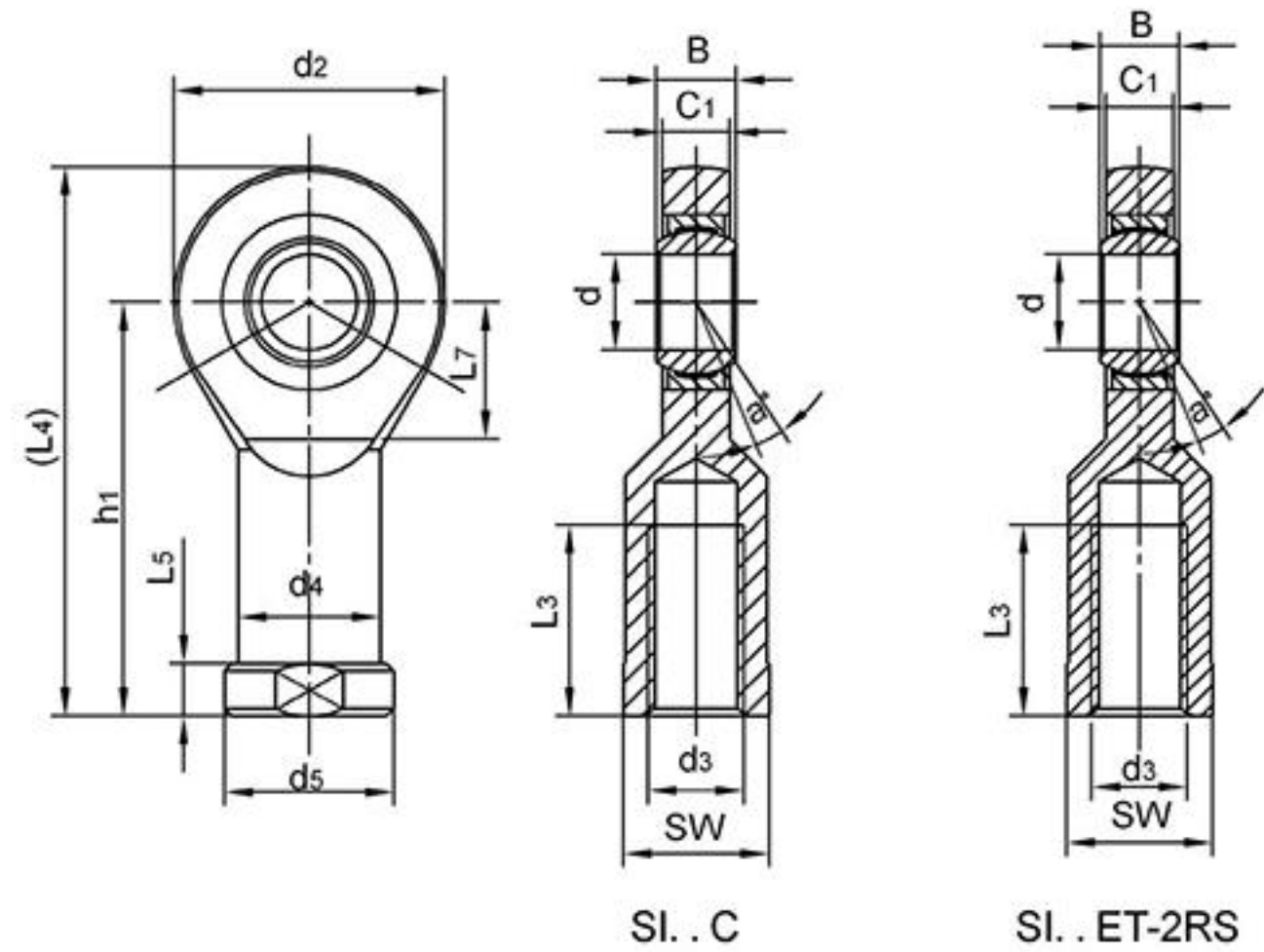
SI..C & SI..ET-2RS

Body: Carbon steel Zinc plated, chromate treated

SI..C: Mounted with GE..C type of radial spherical plain bearings.

SI..ET-2RS: Mounted with GE..ET-2RS type of radial spherical plain bearings.

Sliding contact surfaces: SI..C Steel/PTFE composite
SI..ET-2RS Steel/PTFE fabric



Bearing No.	Dimensions(mm)													Ball dia	a° mis. angle	Load ratings (KN)		Weight ≈ kg
	d	B	C1	d2	d3-6H	h1	L3	L4	L5	L7	d4	d5	W			Dynamic	Static	
SI5C	5	6	4.5	21	M5	30	11	40.5	5	11.5	11	13	11	10	13	3.6	8.1	0.021
SI6C	6	6	4.5	21	M6	30	11	40.5	5	11.5	11	13	11	10	13	3.6	8.1	0.021
SI8C	8	8	6.5	24	M8	36	15	48	5	13	13	16	13	13	15	5.8	12.9	0.039
SI10C	10	9	7.5	29	M10	43	20	57.5	6.5	15	16	19	16	16	12	8.6	17.6	0.061
SI12C	12	10	8.5	34	M12	50	22	67	7	18	18	22	19	18	10	11	24.5	0.096
SI15C SI15ET-2RS	15	12	10.5	40	M14	61	30	81	8	21	21	26	21	22	8	18	36	0.162
SI17C SI17ET-2RS	17	14	11.5	46	M16	67	32	90	10	23	25	29	27	25	10	22	45	0.233
SI20C SI20ET-2RS	20	16	13.5	53	M20x1.5	77	38	103.5	10	25.5	28	34	30	29	9	31	60	0.324
SI25C SI25ET-2RS	25	20	18	64	M24x2	94	45	126	12	33	35	42	36	35.5	7	51	83	0.625
SI30C SI30ET-2RS	30	22	20	73	M30x2	110	54	146.5	15	37.5	42	50	46	40.7	6	65	110	0.976
SI35ET-2RS	35	25	22	82	M36x3	125	60	166	15	40	48	58	55	47	6	112	146	1.52
SI40ET-2RS	40	28	24	92	M39x3	142	65	188	18	47	52	65	60	53	7	140	180	2.06
SI45ET-2RS	45	32	28	102	M42x3	145	65	196	20	52	58	70	65	60	7	180	240	2.72
SI50ET-2RS	50	35	31	112	M45x3	160	68	216	20	57	62	75	70	66	6	220	290	3.57
SI60ET-2RS	60	44	39	135	M52x3	175	70	242.5	20	68.5	70	88	80	80	6	345	450	5.63
SI70ET-2RS	70	49	43	160	M56x4	200	80	280	20	81	80	98	85	92	6	440	610	8.33
SI80ET-2RS	80	55	48	180	M64x4	230	85	320	25	91	95	110	95	105	6	567	750	13.04

Can supply rod ends with different pitch or accuracy of thread.

For left-hand thread, suffix "L" is added to bearing numbers. eg.: SIL20ET-2RS M20 x 1.5L-6H:

