

**SCOS..**

Ball: 440C Stainless steel, heat treated, HRC 56min

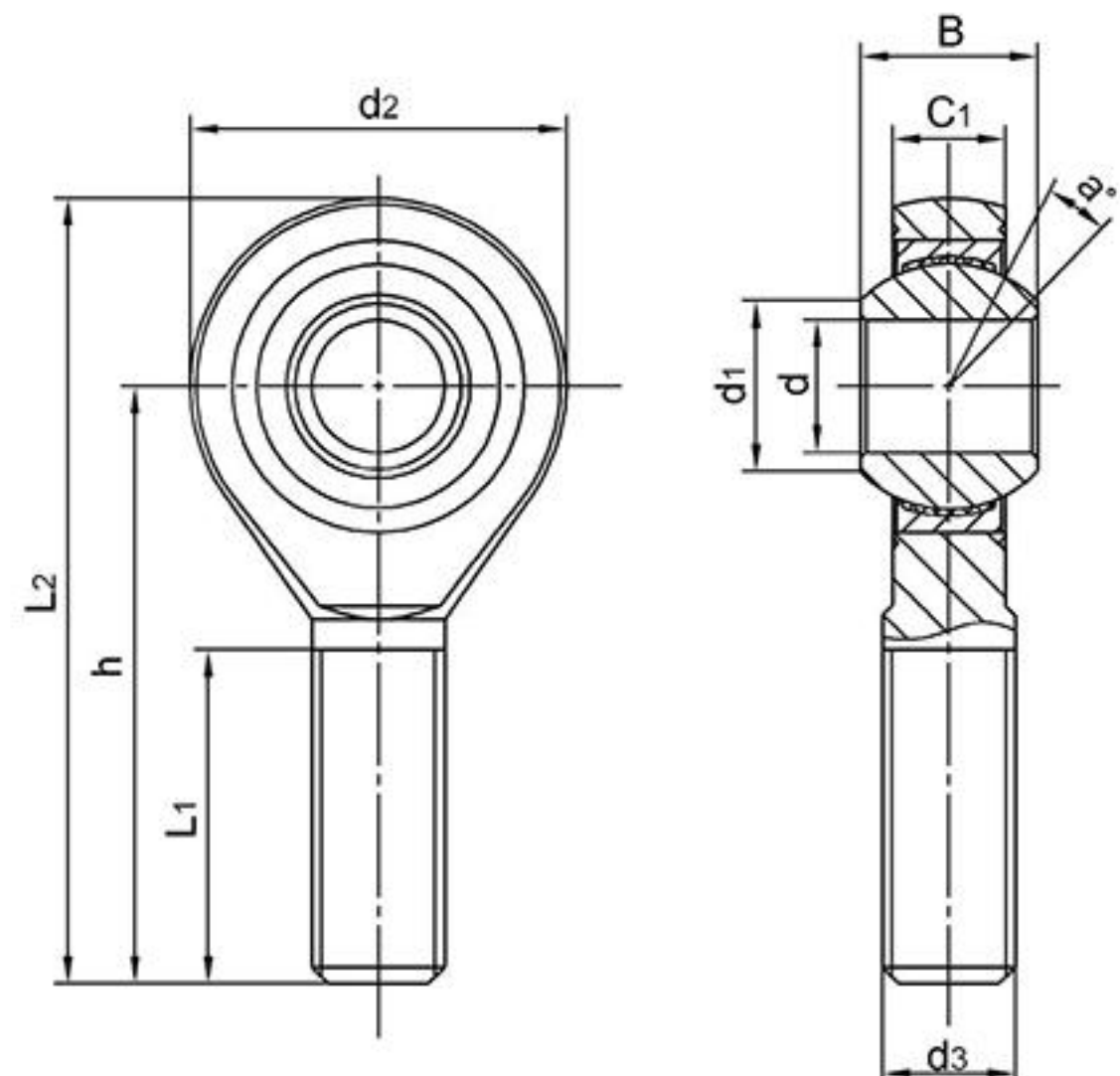
Precision ground polished

Body: 304 Stainless steel

Race: Brass or Stainless steel,

PTFE composite bonded to I.D of race

Sliding contact surfaces: Steel/PTFE composite.



Bearing No.	Dimensions(mm)									Ball dia	a° mis. angle	Load ratings (KN)		weight ≈ Kg
	d <sub>H7</sub>	B	C <sub>1</sub>	d <sub>1</sub>	d <sub>2</sub>	d <sub>3-6g</sub>	h	L <sub>1</sub>	L <sub>2</sub>			Dynamic	Static	
SCOS5	5	8	6	7.7	18	M5	33	19	42	11.11	13	3.2	4.3	0.013
SCOS6	6	9	6.75	8.9	20	M6	36	21	46	12.7	13	4.2	6	0.020
SCOS8	8	12	9	10.3	24	M8	42	25	54	15.87	14	7.1	11	0.038
SCOS10	10	14	10.5	12.9	28	M10	48	28	63	19.05	13	9.8	17.4	0.055
SCOS12	12	16	12	15.4	32	M12	54	32	71	22.22	13	13.2	23.5	0.085
SCOS14	14	19	13.5	16.8	36	M14	60	36	79	25.4	16	17	28	0.140
SCOS16	16	21	15	19.3	42	M16	66	37	87	28.58	15	21.4	32	0.210
SCOS18	18	23	16.5	21.8	46	M18x1.5	72	41	95	31.75	15	26	42.5	0.280
SCOS20	20	25	18	24.3	50	M20x1.5	78	45	103	34.92	14	31	47.5	0.380
SCOS22	22	28	20	25.8	54	M22x1.5	84	48	112	38.1	15	42.2	57	0.480
SCOS25	25	31	22	29.5	60	M24x2	94	55	124	42.86	15	52.7	68	0.640
SCOS28	28	35	25	32.29	66	M27x2	103	62	136	47.63	15	58.8	79	0.949
SCOS30	30	37	25	34.8	70	M30x2	110	66	145	50.8	17	70.7	88	1.100

Can supply rod ends with different pitch or accuracy of thread.

For left-hand thread, suffix "L" is added to bearing numbers. eg.: SCOS20L M20 x 1.5L-6g: